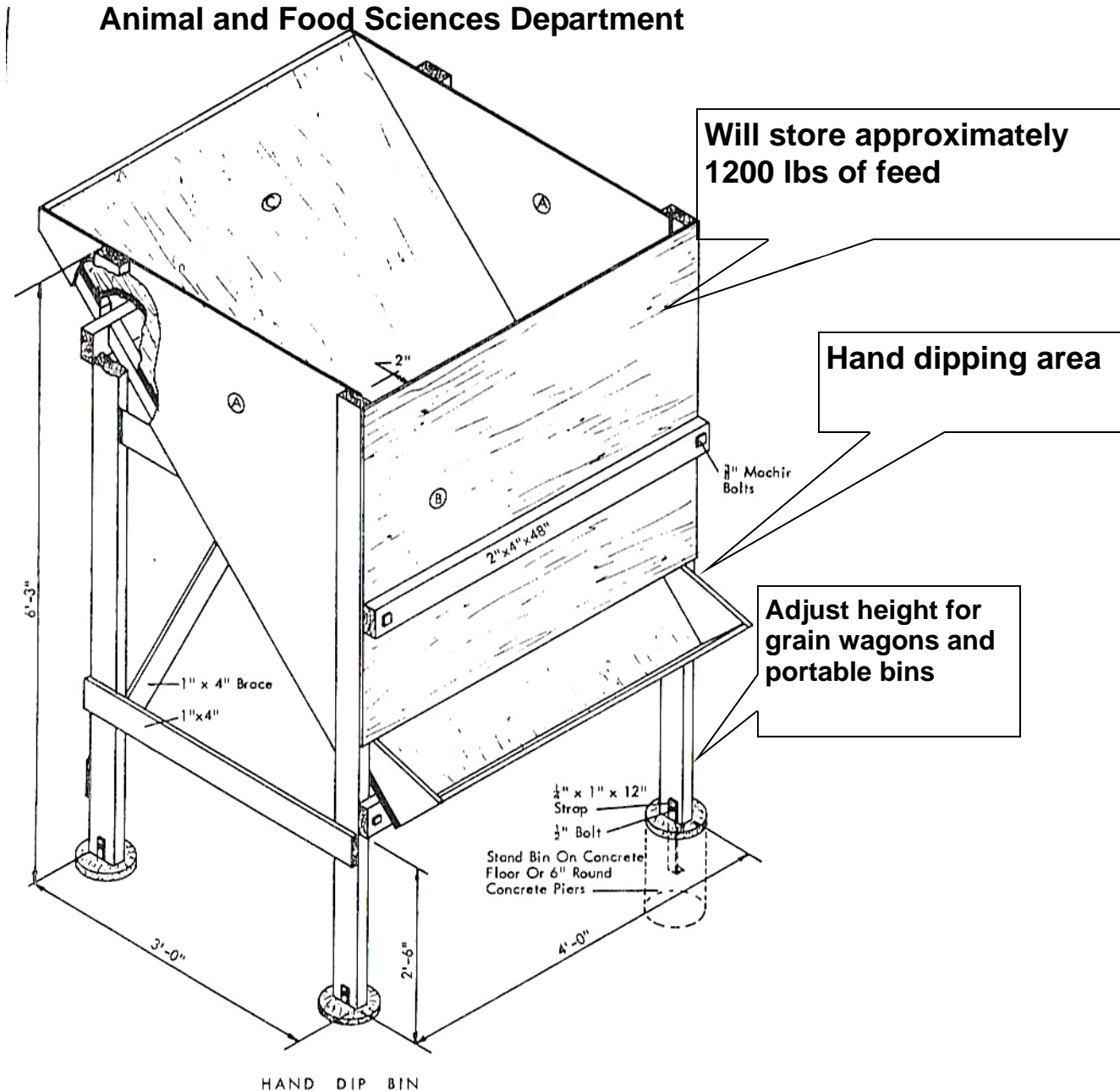
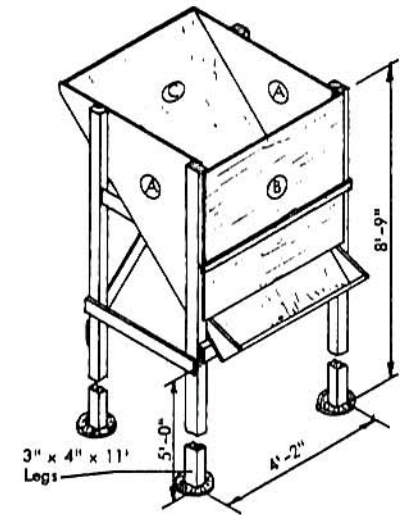
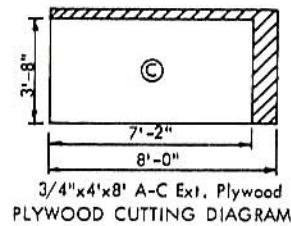
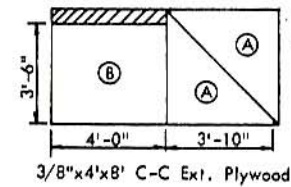
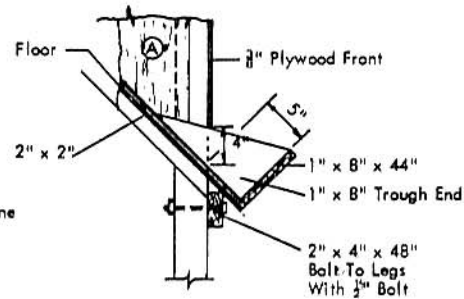
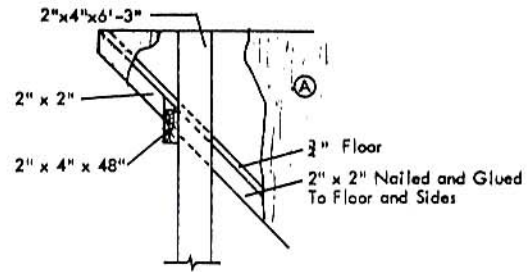
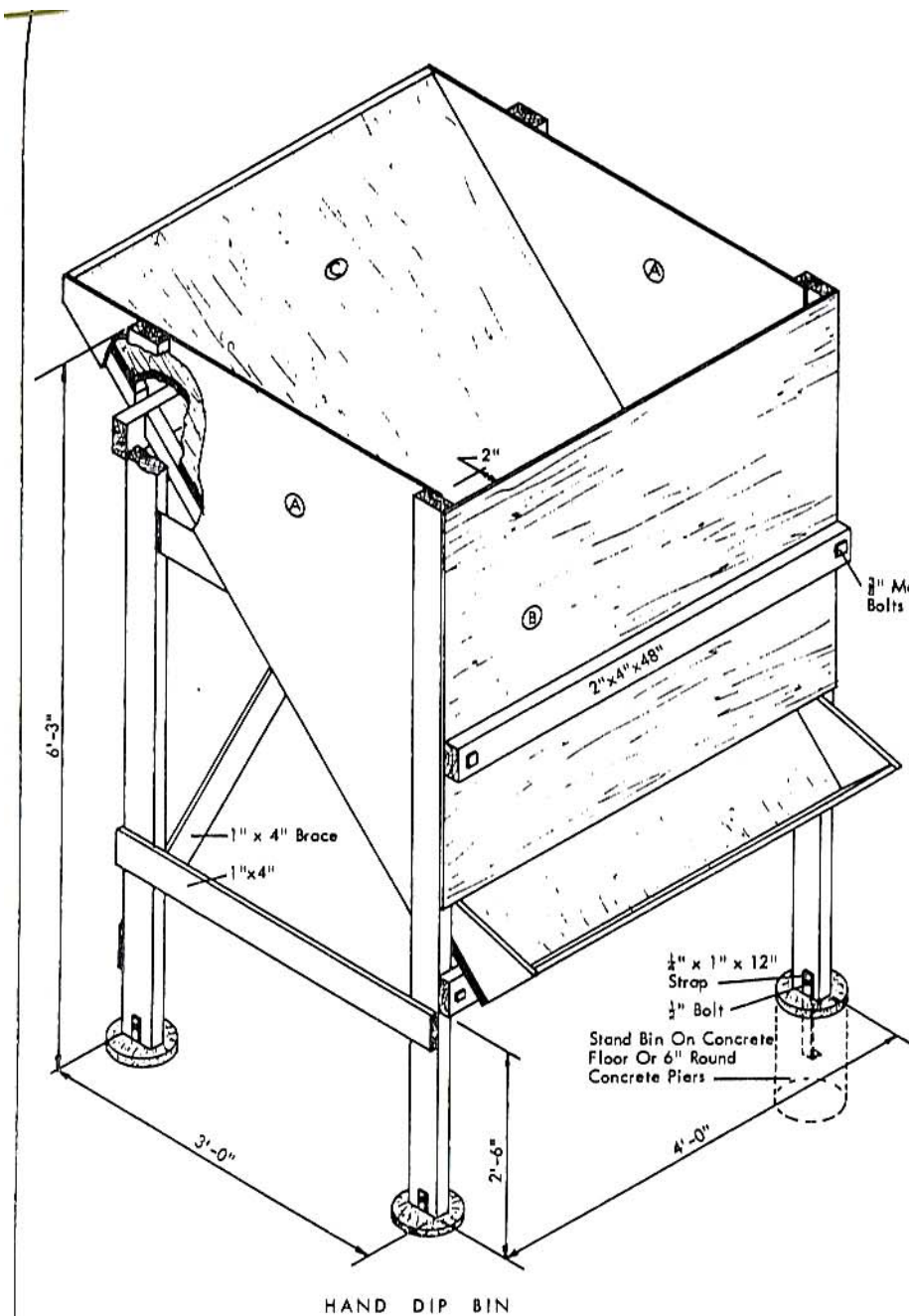


**Small and Inexpensive  
Feed Storage Facilities for Goat and Sheep Producers**  
 Compiled by Terry K. Hutchens, Extension Goat Specialist, University of Kentucky,  
 Animal and Food Sciences Department





HIGH CLEARANCE BIN  
For Filling Feed Cart Or Weigh Buggy  
See Spout Details, Sheet 2

NOTE:  
For handling seed, line the bins to eliminate cracks. Fasten 30 gage smooth metal with 2d nails.

<b>MIDWEST PLAN SERVICE</b>
Cooperative Extension Work in Agriculture and Home Economics and Agricultural Experiment Stations of North Central Region - USDA Cooperating
<b>SMALL FEED BINS</b> 20 Bu.
Sheet 1 of 4 Sheets
MIDWEST PLAN NO. 73217
Copyright © 1966 Midwest Plan Service

"Note: For construction, obtain larger complete working drawings through your agricultural extension agent."

# Materials List for Feed Storage Facilities

## BILL OF MATERIALS FOR 20 BU. BIN

ITEM	DESCRIPTION	NO.
Trough Front & Ends	1"x8"x6'	1
Legs (Short)	2"x4"x18'	2
(Long)	2"x4"x22'	2
Braces	2"x4"x12'	1
Leg Braces	1"x4"x20'	1
Floor Supports	2"x2"x12'	1
Bolts	3/8"x6" Machine	6
Bolts	1"x2 1/2" Machine	4
Plywood	3/4"x4"x8' A-C Ext.	1
	3/8"x4"x8' C-C Ext.	1
Nails	As Needed	
Glue	As Needed	

## BILL OF MATERIALS FOR 45 BU. BIN

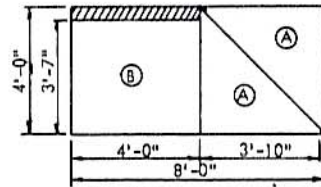
ITEM	DESCRIPTION	NO.
Trough Front & Ends	1"x8"x6'	1
Legs (Short)	2"x4"x14'	4
(Long)	2"x4"x16'	4
Leg Braces	1"x4"x22'	1
Braces	2"x4"x20'	1
Floor Supports	2"x4"x12'	1
Bolts	2"x2"x12'	1
	3/8"x6" Machine	2
	1"x8" Machine	2
	1"x7" Machine	1
Plywood	3/4"x4"x8' C-C Ext.	3
	3/8"x4"x8' A-C Ext.	1
Ties	9 Wire, 14' Long	
Nails	As Needed	
Glue	As Needed	

## BILL OF MATERIALS FOR 170 BU. BIN

ITEM	DESCRIPTION	NO.
Wall Studs	2"x4"x18'	7
Partition Studs	2"x4"x12'	8
Ties And Plates	2"x4"x16'	3
Wales	2"x6"x16'	1
Plywood	3/4"x4"x8' A-C	3
	3/4"x4"x8' C-C	7
	1" Rod--15' Long	1
Tie Rods	1"x4"	7
Bolts	As Needed	
Nails	As Needed	
Glue	As Needed	

## BILL OF MATERIALS FOR 340 BU. BIN

ITEM	DESCRIPTION	NO.
Studs	2"x4"x12'	25
Floor Joists	2"x4"x18'	2
	2"x10"x18'	2
Joist Supports	2"x4"x6'	1
Braces	2"x4"x20'	2
	2"x4"x7'	1
Wales	2"x6"x16'	1
Tie Rod	1" Rod, 24' Long	1
Plates	2"x4"x12'	1
	2"x4"x14'	1
Trough Front	2"x4"x8'	1
Filler	1"x6"x8'	1
Plywood (Walls)	3/4"x4"x8' C-C Ext.	11
(Floor)	3/8"x4"x8' A-C Ext.	2
Bolts	1"x4"	15
	3/8"x6"	6
Nails	As Needed	
Glue	As Needed	



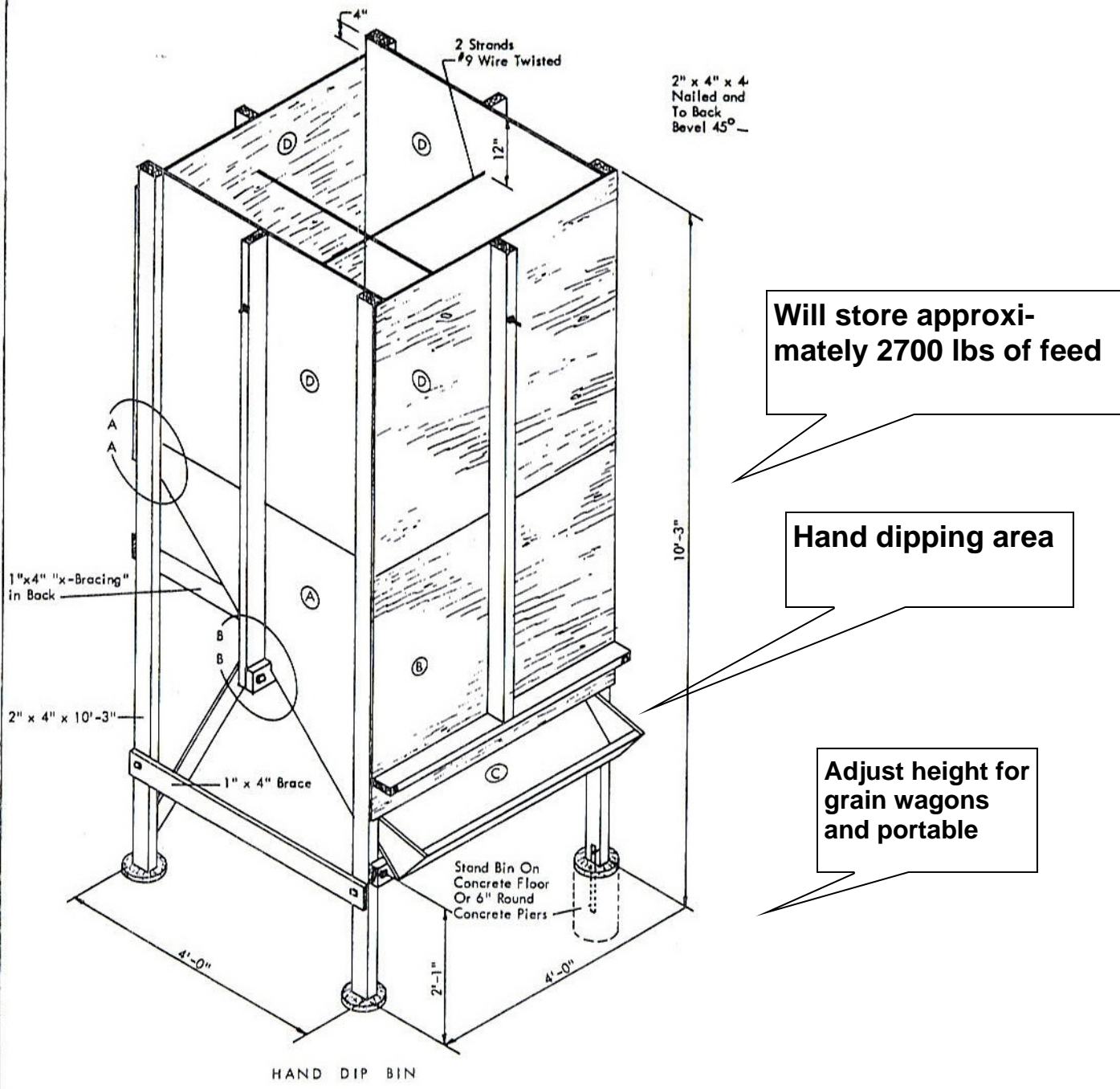
3/8"x4"x8' C-C Ext. Plywood

③ 3/4"x44"x64" Floor, A-C Ext. Plywood

③ 3/8"x48"x48" Sides, C-C Ext. Plywood  
4 pieces

PLYWOOD CUTTING DIAGRAM

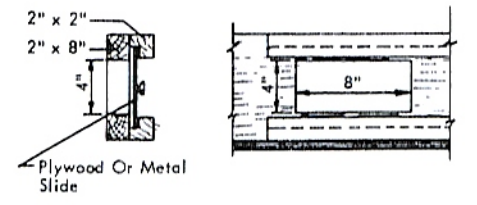
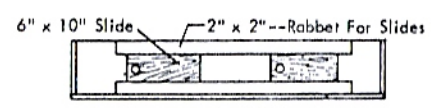
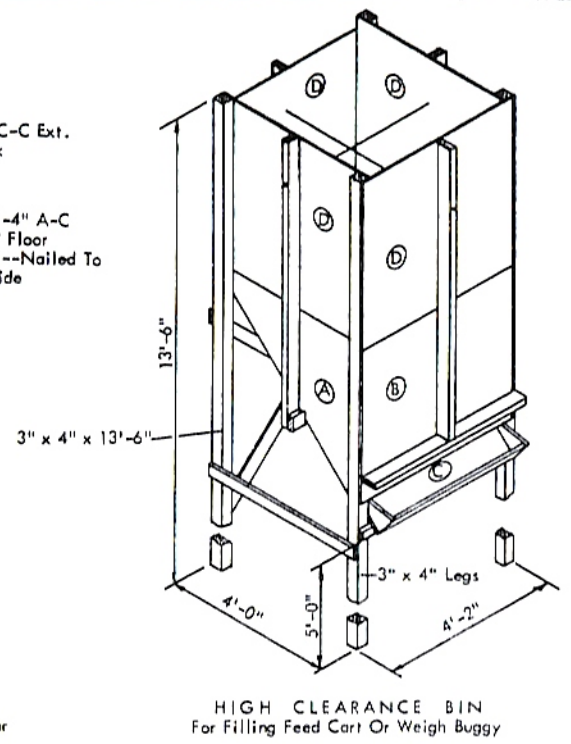
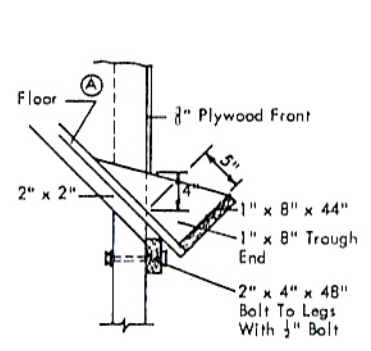
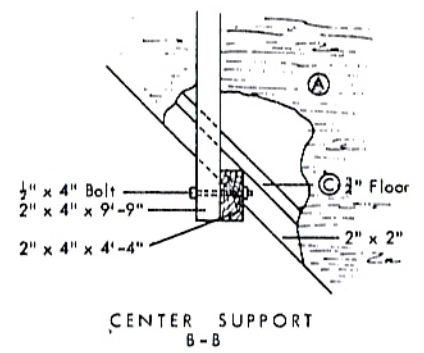
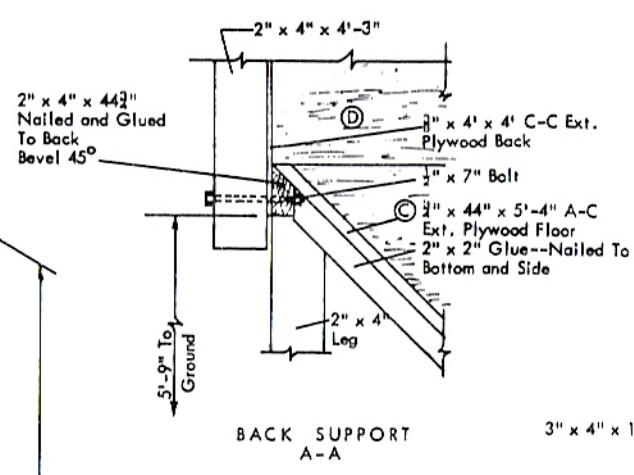
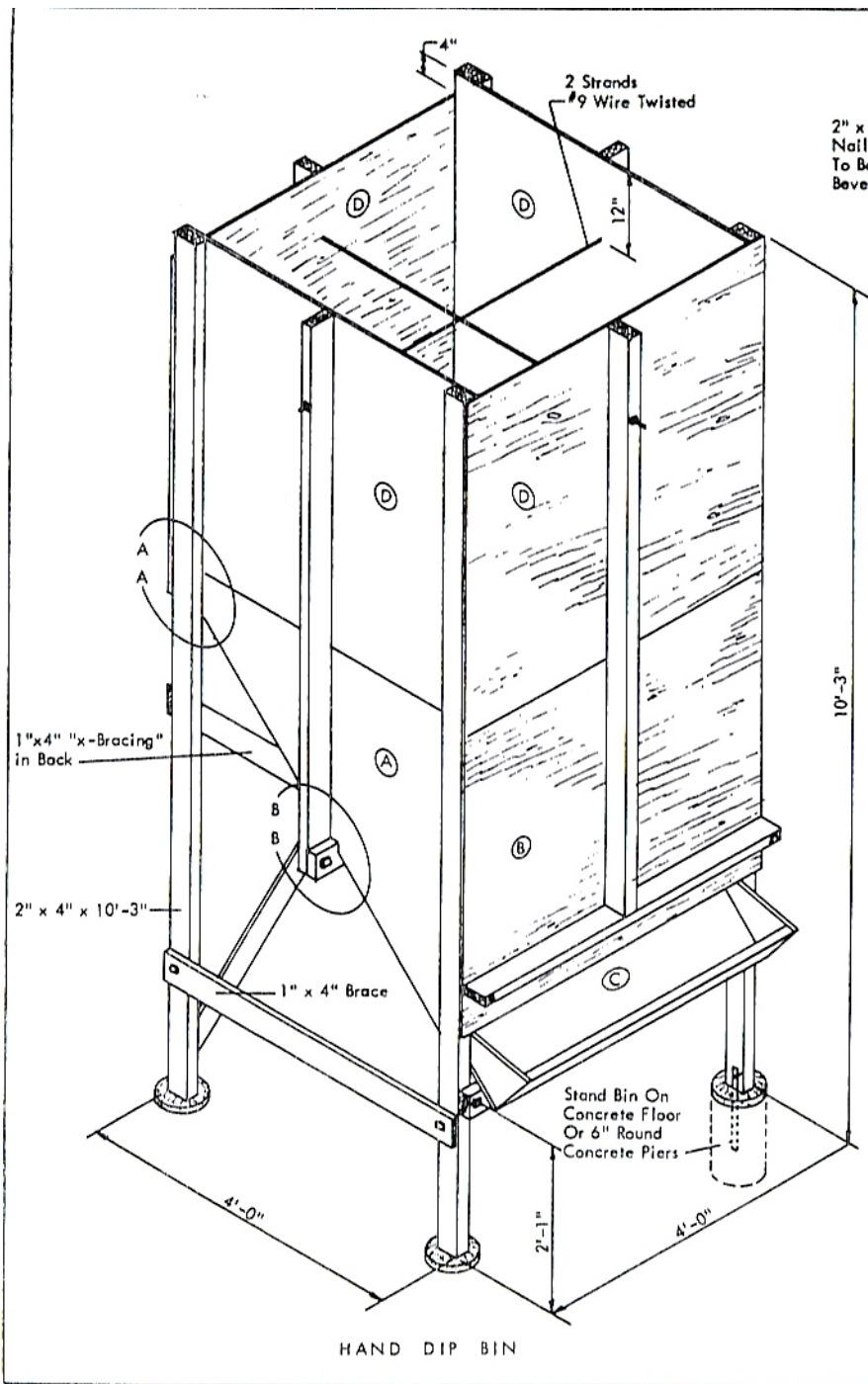
# Mid-Sized Feed Storage Facilities for Goat and Sheep Producers



Will store approximately 2700 lbs of feed

Hand dipping area

Adjust height for grain wagons and portable



**MIDWEST PLAN SERVICE**  
 Cooperative Extension Work in  
 Agriculture and Home Economics  
 and Agricultural Experiment Stations  
 of North Central Region - USDA Cooperating

SMALL FEED BINS  
 45 Bu.

Sheet 2 of 4 Sheets

MIDWEST PLAN NO. 73217

Copyright © 1966 Midwest Plan Service

"Note: For construction, obtain larger complete working drawings through your agricultural extension agent."