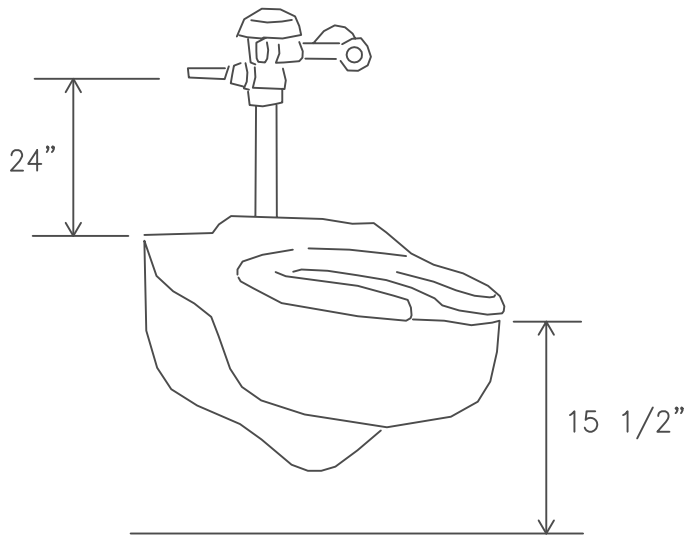
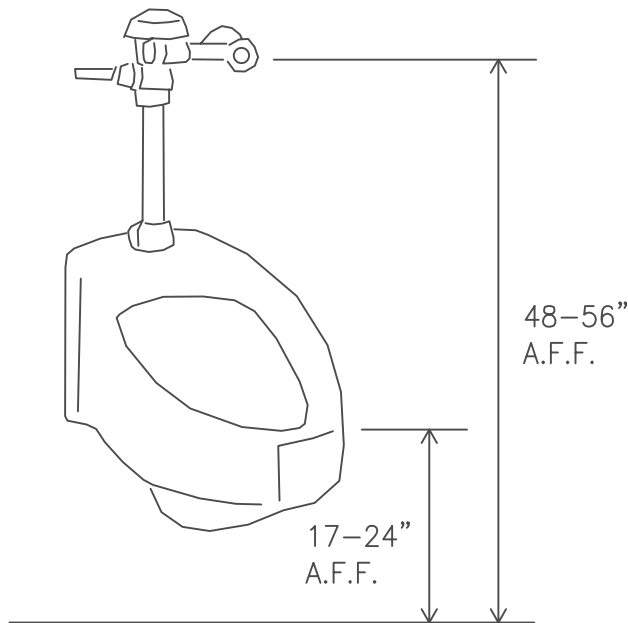


1. White vitreous china.
2. Top mounted inlet spud.
3. Valves and piping to be plated brass. Avoid marring the finish and secure the escutcheons to the wall.
4. Siphon jet or blowout flushing action.
5. Adjust dimensions for the handicapped units.
6. Flush valves will include isolation valves and backflow prevention.
7. Caulk with white silicon to seal joint and neat appearance.
8. Fixtures to be wall mounted.



WATER CLOSET

- Open front white plastic with raised back, back check stainless steel hardware & cleaner resistant
- Elongated bowl



URINAL



UNIVERSITY OF KENTUCKY DESIGN & CONSTRUCTION STANDARDS

DRAWN BY <u>GSB</u> APP. BY <u>MA</u> DATE <u>11/1/89</u>	<table border="1"> <thead> <tr> <th>REVISION</th> <th>DATE</th> </tr> </thead> <tbody> <tr> <td>RLM</td> <td>11/26/90</td> </tr> <tr> <td> </td> <td> </td> </tr> <tr> <td> </td> <td> </td> </tr> </tbody> </table>	REVISION	DATE	RLM	11/26/90					TITLE : WATER CLOSETS AND URINALS	DRAWING NO. <u>15440D02</u>
REVISION	DATE										
RLM	11/26/90										