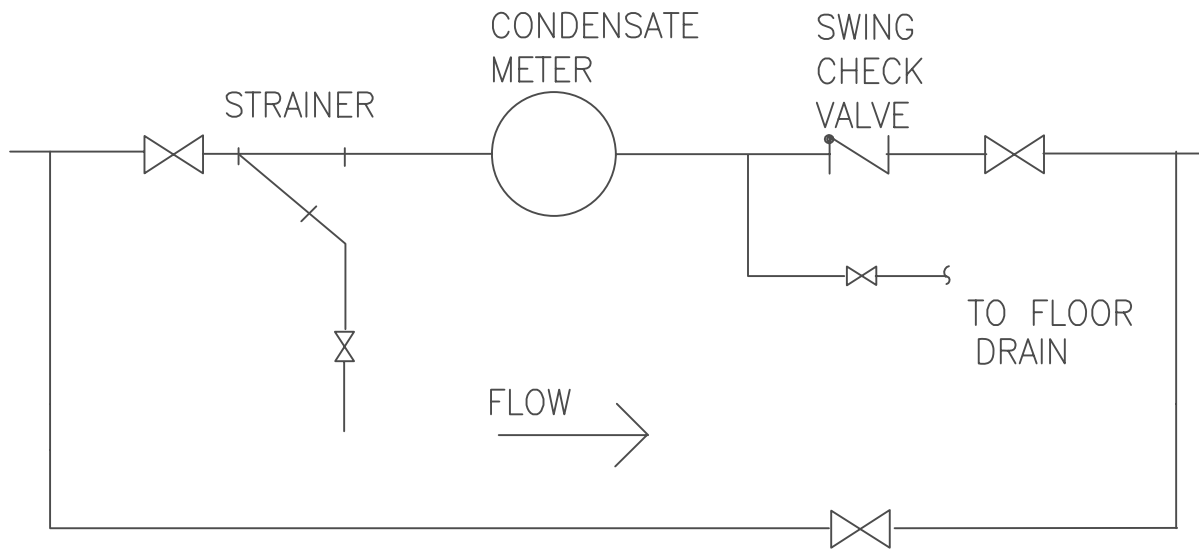


# PIPING



## NOTES:

1. Place the meter in the the condensate pump discharge line just inside the wall where the line leaves the building.
2. All building condensate must pass through the meter.
3. The meter is to register in gallons.
4. Temperature rating:  
Line size 2" and smaller – 300 f.  
Line size larger than 2 in. – 350 f.
5. Mounting height 12 in. to 48 in. A.F.F
6. The meters must accept pulsers to permit monitoring by the campus facilities management system.
7. If a readout is used, it is to be in a NEMA 4 enclosure.
8. Bypass piping should be at same elevation as meter.
9. Condensate meter piping should be designed such that meter is full of water at all times.



## UNIVERSITY OF KENTUCKY DESIGN & CONSTRUCTION STANDARDS

DRAWN BY <u>  MA  </u> APP. BY <u>  MA  </u> DATE <u>  11/16/88  </u>	<table border="1" style="width: 100%; border-collapse: collapse;"> <thead> <tr> <th style="text-align: left;">REVISION</th> <th style="text-align: left;">DATE</th> </tr> </thead> <tbody> <tr> <td>JLJ</td> <td>04/25/90</td> </tr> <tr> <td>RLM</td> <td>11/26/90</td> </tr> <tr> <td>MJD</td> <td>12/03/92</td> </tr> </tbody> </table>	REVISION	DATE	JLJ	04/25/90	RLM	11/26/90	MJD	12/03/92	TITLE : CONDENSATE METER INSTALLATION.	DRAWING NO.  15525D01
REVISION	DATE										
JLJ	04/25/90										
RLM	11/26/90										
MJD	12/03/92										