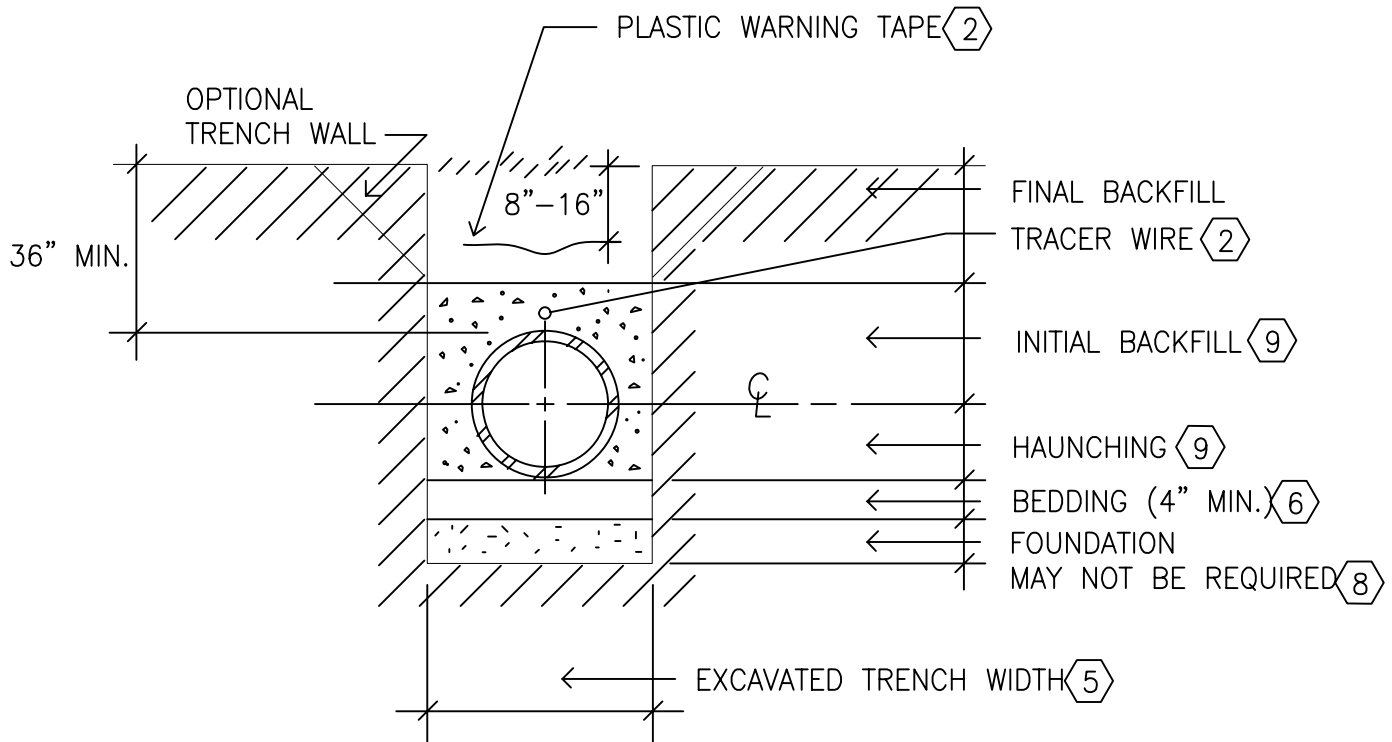
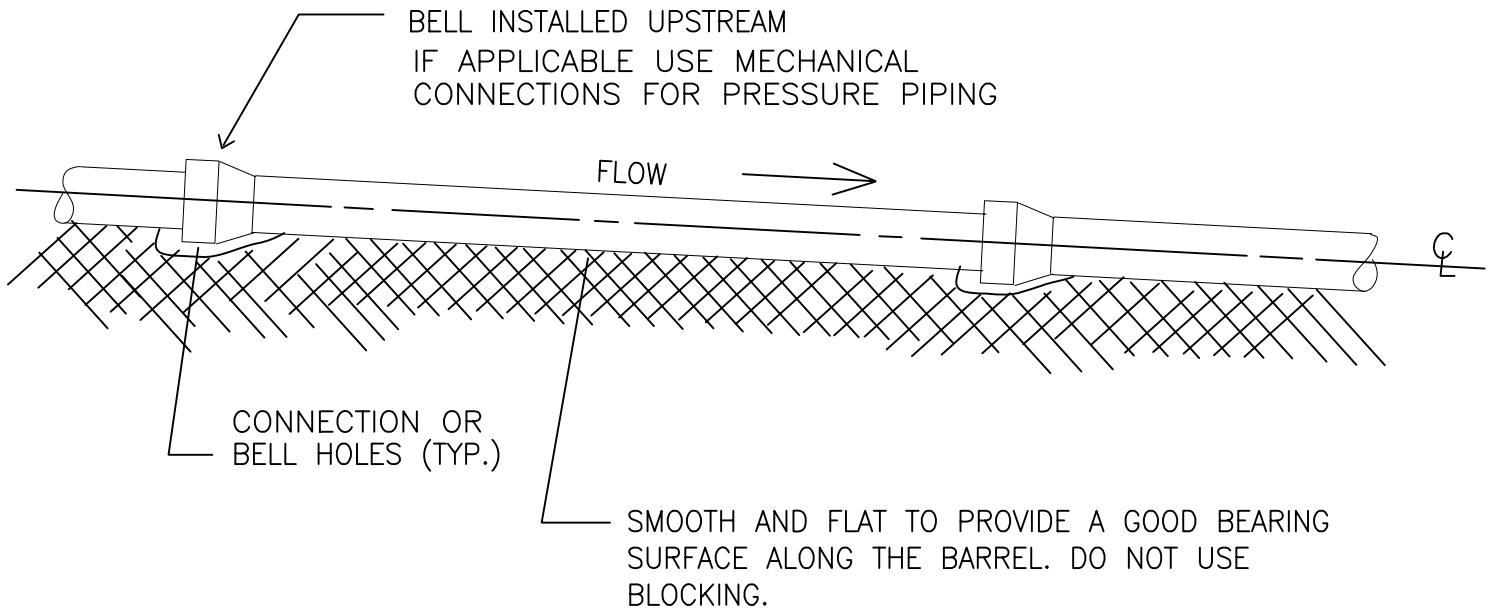


SEE "PLASTIC PIPE UNDERGROUND INSTALLATION NOTES" STANDARD FOR ADDITIONAL INFORMATION



UK

PAGE 1 OF 2

UNIVERSITY OF KENTUCKY DESIGN & CONSTRUCTION STANDARDS

DRAWN BY MA
APP. BY MA
DATE 6/86

REVISION	DATE
GSB	11/3/89
RLM	11/26/90

TITLE : PLASTIC PIPE (UNDERGROUND INSTALLATIONS)

DRAWING NO.

02610D01