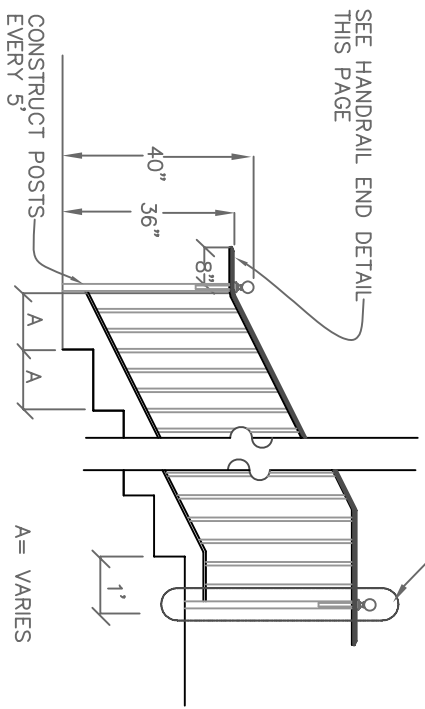


SEE HANDRAIL CONSTRUCTION THIS PAGE

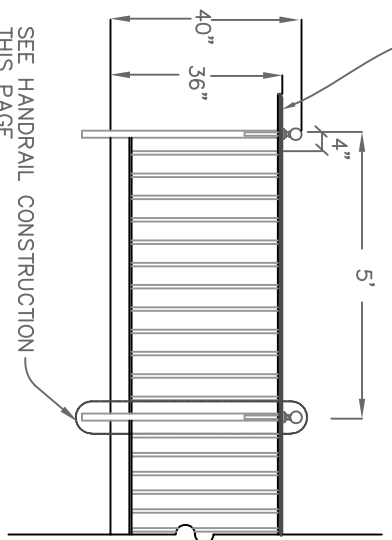


SEE HANDRAIL END DETAIL THIS PAGE

STAIR HANDRAIL DETAIL

NOT TO SCALE

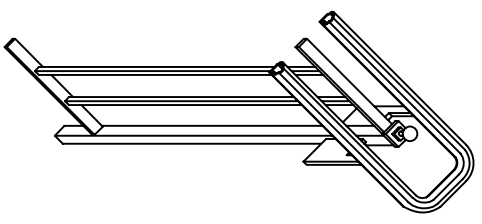
SEE HANDRAIL CONSTRUCTION THIS PAGE



HANDRAIL DETAIL

NOT TO SCALE

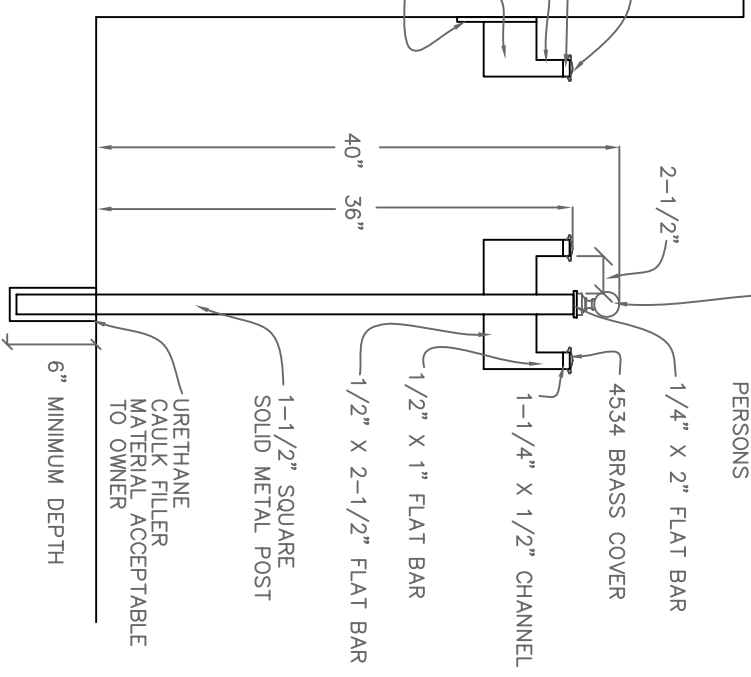
- 4534 BRASS COVER
- 1-1/4" X 1/2" CHANNEL
- 1/2" X 1" FLAT BAR
- 1/2" X 2-1/2" FLAT BAR
- 3/8" X 4" FLAT BAR



3143 BRASS BALL
INSTALLED SO AS
TO BE DIFFICULT
FOR REMOVAL BY
UNAUTHORIZED
PERSONS

HANDRAIL CONSTRUCTION

NOT TO SCALE



URETHANE
CAULK FILLER
MATERIAL ACCEPTABLE
TO OWNER

1-1/2" SQUARE
SOLID METAL POST

N:\COLLINS\CONCRETE_CONTRACT_DWGS\HANDRAIL.DWG

HANDRAIL END DETAIL

NOT TO SCALE

SHEET
120F 27



PHYSICAL
PLANT
DIVISION

CONCRETE SPECS
DOUBLE HANDRAIL DETAIL

BLDG #
0000

DATE: 3/29/00
DWN BY: CSB
REV. DATE:
REV. BY: