

# BLAMBOT

COMIC FONTS & LETTERING

COMIC  
QUICK  
TIP

Draw your backgrounds as if they were as important as your main characters...because they are!

MAIN  
FRAME

LATEST FREE FONT

ZOOOM

LATEST PAY FONT

## HAND LETTERING

Before we start, I'd like to thank Pat Brosseau for teaching me the basics of hand lettering. Pat is one of the best and without his help, I would probably still be struggling to figure this stuff out. On with the tutorial...

It's true; hand lettering has been replaced by computer lettering. But it's important that today's letterers have at least a working knowledge of hand lettering because it will help you better understand the digital medium of the present. Know your roots!

### YOUR TOOLS

**DRAFTING TABLE** - Any artist or letterer worth his salt should have a good drafting table set up to work on, and the basics that go with it, like drafting tape, etc.

**TECH PENCIL** - Use this instead of a #2. The tips of the wooden pencils tend to break off in your Ames Guide. You can buy all different brands that range from a couple of dollars to ten or more. You'll have to buy the led separately (Harder leads work best for this), as well as a special sharpener. All totaled, expect to pay about \$15.00 to \$20.00. You'll also need an eraser for boo-boos and an eraser shield so you don't erase any artwork accidentally.



**AMES LETTERING GUIDE** - You'll use this to draw your pencil guides on the original art. Set your Ames guide to "3" (or a little more) and use the holes shown in the graphic. You'll set this on the edge of your T-square. You can find these in any art store in the drafting section. They go for \$2.00-\$3.00, typically.

[MORE >>](#)

### BARGAINS

- Save **25%** at checkout when you purchase three or more Pro Fonts!
- The **2004 BLAMBOT FONT PAK** is available!

### OUT NOW

- **ATLAND Volume 2** is out now! 32 pages, full color, just \$2.99!
- **ROBOT HEAD BRAND** t-shirt shop by Blambot's Piekos is now open!

### PROJECTS



### FRIENDS

- [PV Comics](#)
- [Designmeme](#)
- [Comixpress](#)
- [Dreamhost](#)
- [AAA Pop](#)
- [Lopez Studios](#)
- [Amazon.com](#)

Blambot Comic Fonts and Lettering, the fonts, artwork and all contents of this site © Nate Piekos unless otherwise noted. All Rights Reserved.



COMIC QUICK TIP

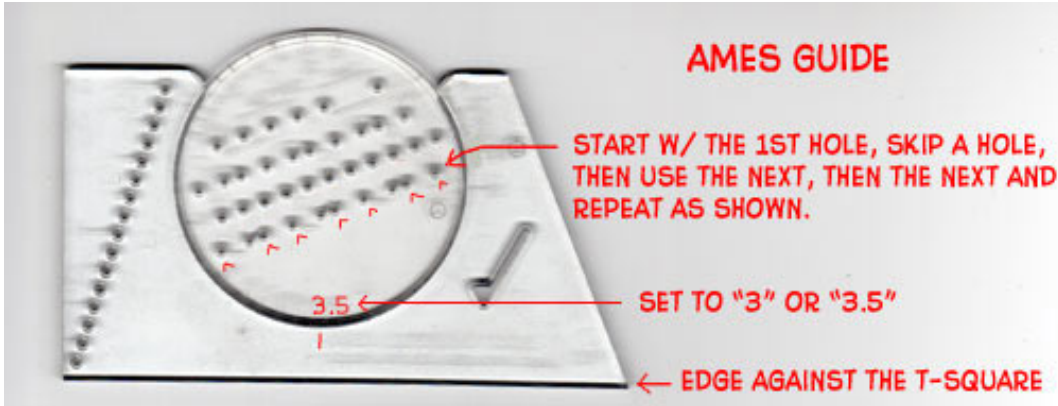
Editors are just as concerned with how fast and reliable you are as they are concerned about experience and ability.

MAIN FRAME

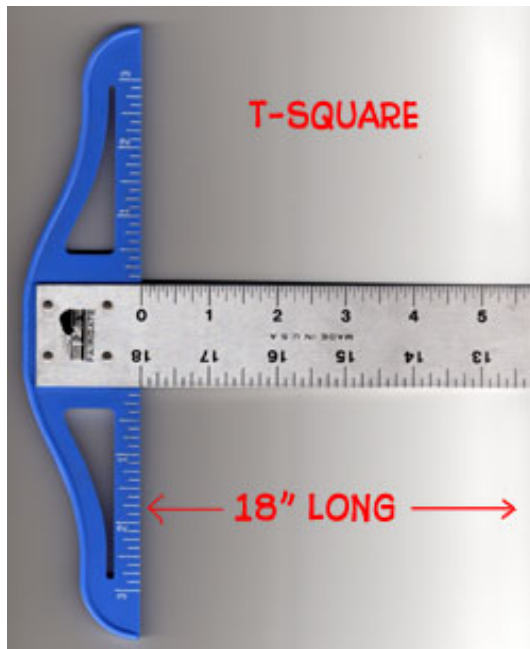
LATEST FREE FONT

ZOOOM

LATEST PAY FONT



T-SQUARE - An 18" t-square works perfect for comics. (Not just the lettering but everything else, too.) Expect to pay up to \$20.00 for a good one.



HUNT CROW QUILL #107 - This is pretty much the standard lettering tip. Go to the calligraphy aisle in your art supply store and look on the barrel of the tips. In teeny, tiny lettering you can make out the size. Some of the packages have the sizes written on the back. I've never been able to find a #107 packaged all by itself. It usually comes with a #102. The two-pack runs about \$5.00. You'll also need the smaller calligraphy handle to put the tip in. It's cheap brown plastic and some art stores will sell some loose. If you don't find loose ones, you may have to buy a larger calligraphy set to get one (just make sure there's a #107 tip in there and at least get your money's worth!)

BARGAINS

- Save 25% at checkout when you purchase three or more Pro Fonts!
- The 2004 BLAMBOT FONT PAK is available!

OUT NOW

- ATLAND Volume 2 is out now! 32 pages, full color, just \$2.99!
- ROBOT HEAD BRAND t-shirt shop by Blambot's Piekos is now open!

PROJECTS



FRIENDS

<< [BACK](#) · [MORE](#) >>

- [PV Comics](#)
- [Designmeme](#)
- [Comixpress](#)
- [Dreamhost](#)
- [AAA Pop](#)
- [Lopez Studios](#)
- [Amazon.com](#)

Blambot Comic Fonts and Lettering, the fonts, artwork and all contents of this site © Nate Piekos unless otherwise noted. All Rights Reserved.



COMIC QUICK TIP

Don't put the cart before the horse - get your comic book done before you start making t-shirts and posters.

MAIN FRAME

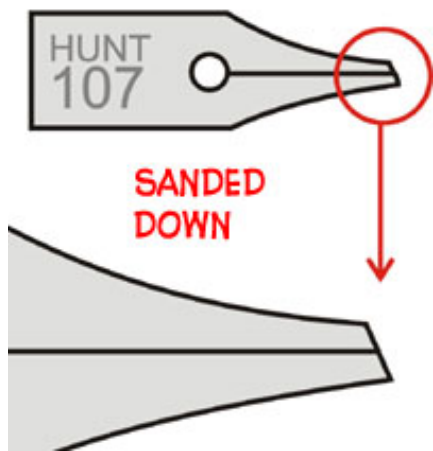
LATEST FREE FONT

ZOOOM

LATEST PAY FONT



SANDPAPER - Ever notice how most comic lettering has thinner down-strokes and thicker across-strokes? That's because the Hunt 107 gets filed down with some very fine grit sandpaper. It takes a sharp eye and practice to know when you've filed enough. You'll probably ruin a few pen tips at first. File at an angle like below:



INK - You'll need to find the ink that works best for you. For lettering I like Higgins "Engrossing" black ink. It's thinner than the stuff I use for actual inking of art (Speedball Superblack) so it flows better through the pen tip.



<< BACK · MORE >>

BARGAINS

- Save 25% at checkout when you purchase three or more Pro Fonts!
- The 2004 **BLAMBOT FONT PAK** is available!

OUT NOW

- **ATLAND Volume 2** is out now! 32 pages, full color, just \$2.99!
- **ROBOT HEAD BRAND** t-shirt shop by Blambot's Piekos is now open!

PROJECTS



FRIENDS

- [PV Comics](#)
- [Designmeme](#)
- [Comixpress](#)
- [Dreamhost](#)
- [AAA Pop](#)
- [Lopez Studios](#)
- [Amazon.com](#)

Blambot Comic Fonts and Lettering, the fonts, artwork and all contents of this site © Nate Piekos unless otherwise noted. All Rights Reserved.

# BLAMBOT

COMIC FONTS & LETTERING

COMIC  
QUICK  
TIP

Use Adobe Illustrator to letter your comic.  
It allows for easier corrections than Photoshop.

MAIN  
FRAME

LATEST FREE FONT

ZOOOM

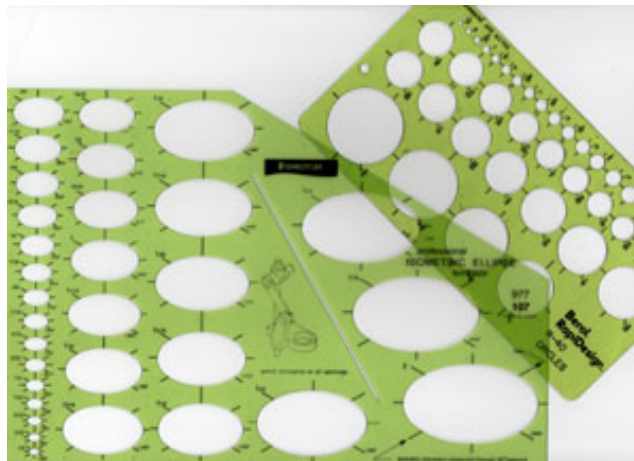
LATEST PAY FONT

## BARGAINS

**KOH-I-NOR RAPIDOGRAPH .70 OR A PIGMA MICRON 08** - These are for bold words. The Rapidograph is the more traditional choice, but those puppies are expensive (\$15.00 each) and you have to take them apart, clean and refill them. In my experiments, I've found that a Pigma Micron 08 works pretty well, is cheaper (\$3.00) and disposable. The time you save with the Pigma might be more valuable to you than the money for the Rapidograph. Personal choice. You can also use these for panel borders and balloons (or something slightly smaller depending on your taste).



**CIRCLE/OVAL TEMPLATES** - you'll need these to make your dialogue balloons. Get lots of them. They can usually be found right next to the Ames Guides in the art store. They vary in price depending on brand and how many per pack.



**FRENCH CURVE** - Use these to make balloon tails. They vary in price depending on brand and how many per pack.

<< BACK · MORE >>

- Save 25% at checkout when you purchase three or more Pro Fonts!
- The 2004 **BLAMBOT FONT PAK** is available!

## OUT NOW

- **ATLAND Volume 2** is out now! 32 pages, full color, just \$2.99!
- **ROBOT HEAD BRAND** t-shirt shop by Blambot's Piekos is now open!

## PROJECTS



## FRIENDS

- [PV Comics](#)
- [Designmeme](#)
- [Comixpress](#)
- [Dreamhost](#)
- [AAA Pop](#)
- [Lopez Studios](#)
- [Amazon.com](#)

Blambot Comic Fonts and Lettering, the fonts, artwork and all contents of this site © Nate Piekos unless otherwise noted. All Rights Reserved.





COMIC QUICK TIP

Artists, always do thumbnails drawings of your pages first to unify the flow and design of your pages.

MAIN FRAME

LATEST FREE FONT

ZOOOM

LATEST PAY FONT

BARGAINS

- Save 25% at checkout when you purchase three or more Pro Fonts!
- The 2004 **BLAMBOT FONT PAK** is available!

OUT NOW

- **ATLAND Volume 2** is out now! 32 pages, full color, just \$2.99!
- **ROBOT HEAD BRAND** t-shirt shop by Blambot's Piekos is now open!

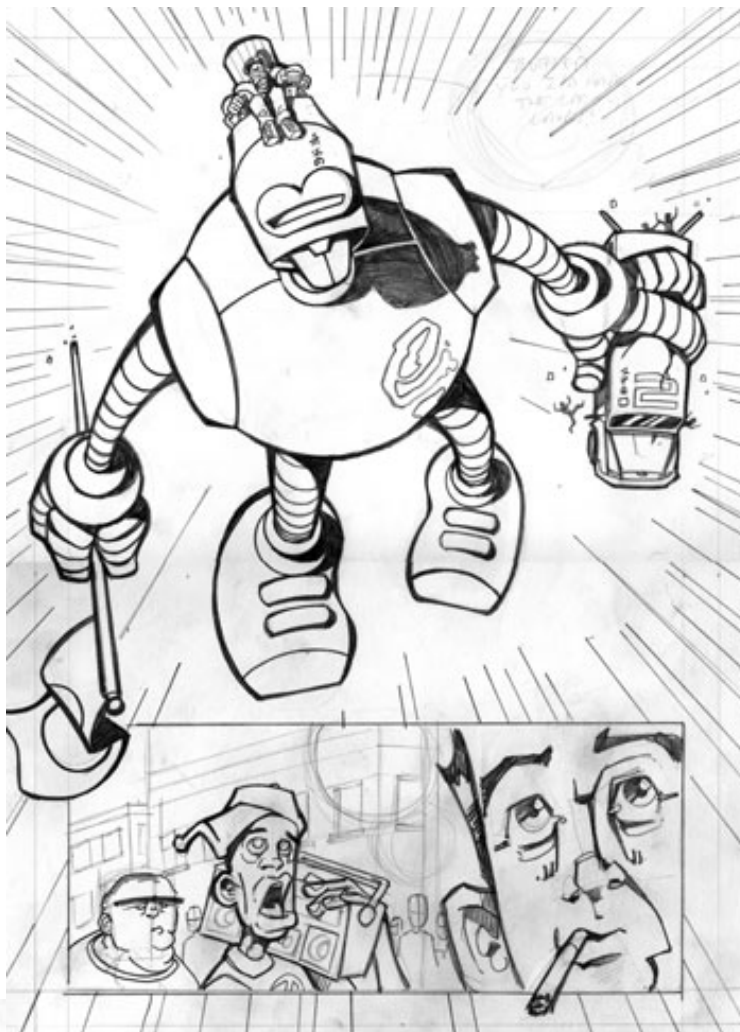
PROJECTS



FRIENDS



ARTWORK - if you were doing this professionally, your editor would send you the penciled, original art.





[<< BACK](#) · [MORE >>](#)

- [PV Comics](#)
- [Designmeme](#)
- [Comixpress](#)
- [Dreamhost](#)
- [AAA Pop](#)
- [Lopez Studios](#)
- [Amazon.com](#)

Blambot Comic Fonts and Lettering, the fonts, artwork and all contents of this site © Nate Piekos unless otherwise noted. All Rights Reserved.



COMIC QUICK TIP

You can color your comic in Photoshop with a minimum of four Layers, in descending order they are Highlights, Inks, Cuts, Flats.

MAIN FRAME

LATEST FREE FONT

ZOOOM

LATEST PAY FONT

BARGAINS

SCRIPT - The editor would send you the script.

TOKYO ROBOT ISSUE 1, PAGE 99

1- Chiba-san is flying into San Francisco. He's atop the TOKYO ROBOT. He's finally about to get revenge for all that extra homework! TOKYO ROBOT has a schoolbus in one hand and a Japanese flag in the other.

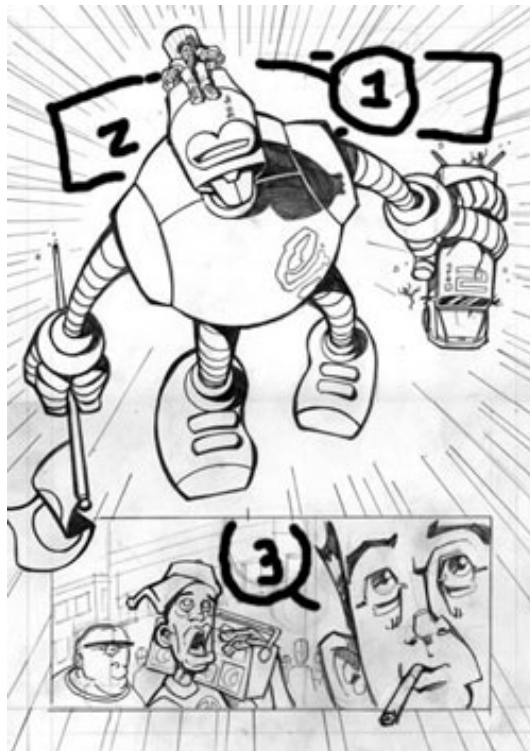
1 - Chiba: Who's laughing now, scumbags?!

2 - SFX - ZROOOM!

2 - Reaction shot from the citizens of San Fran. Detective McSmitty in FG, eyes up to the impending doom.

3 - McSmitty: Boy, did I pick the wrong day to quit smack...

BALLOON PLACEMENTS - The editor probably would send you balloon placements. These are photocopies with numbered notes as to what dialogue/sfx should go where on the art. Some editors leave it up to you. Note that Dialogue #1 in the script, corresponds to #1 on the balloon placements, and so on.



- Save 25% at checkout when you purchase three or more Pro Fonts!
- The 2004 **BLAMBOT FONT PAK** is available!

OUT NOW

- **ATLAND Volume 2** is out now! 32 pages, full color, just \$2.99!
- **ROBOT HEAD BRAND** t-shirt shop by Blambot's Piekos is now open!

PROJECTS



FRIENDS

[<< BACK](#) · [MORE >>](#)

- [PV Comics](#)
- [Designmeme](#)
- [Comixpress](#)
- [Dreamhost](#)
- [AAA Pop](#)
- [Lopez Studios](#)
- [Amazon.com](#)

Blambot Comic Fonts and Lettering, the fonts, artwork and all contents of this site © Nate Piekos unless otherwise noted. All Rights Reserved.



COMIC QUICK TIP

Don't put the cart before the horse - get your comic book done before you start making t-shirts and posters.

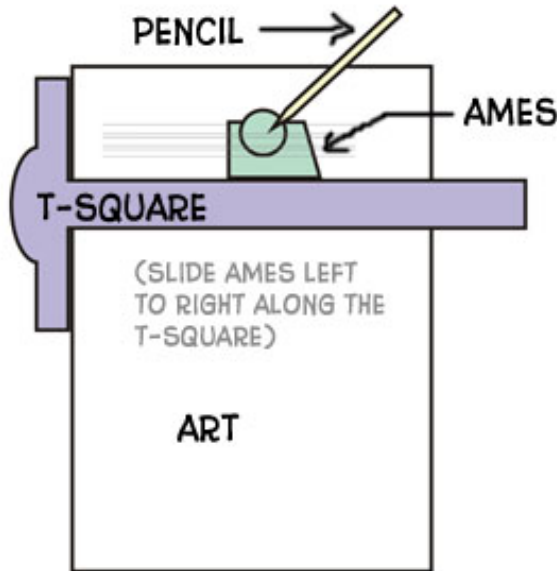
MAIN FRAME

LATEST FREE FONT

ZOOOM

LATEST PAY FONT

TIME TO GET TO WORK - First, tape the art to your drafting board. Estimate how many lines you're going to need from the amount of text in the script. With your Ames Guide, T-square and Tech Pencil, draw your guides. You could do all the guides on the page at this point.



Your penciled guides should look like this:

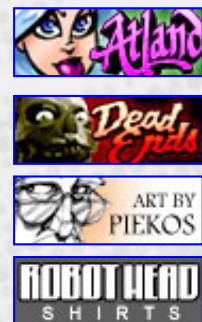
BARGAINS

- Save 25% at checkout when you purchase three or more Pro Fonts!
- The 2004 **BLAMBOT FONT PAK** is available!

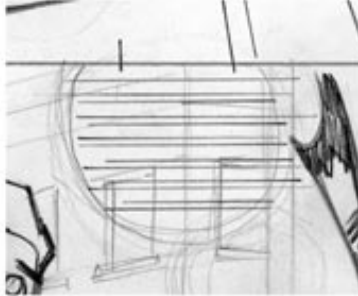
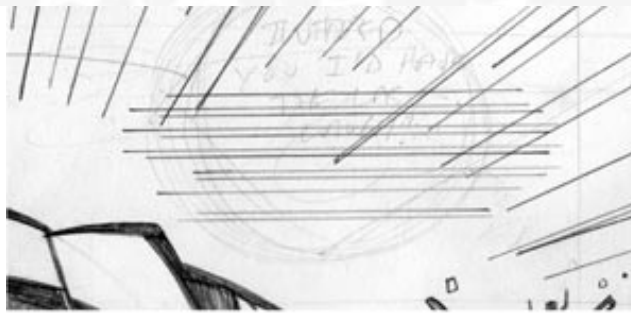
OUT NOW

- **ATLAND Volume 2** is out now! 32 pages, full color, just \$2.99!
- **ROBOT HEAD BRAND** t-shirt shop by Blambot's Piekos is now open!

PROJECTS



FRIENDS



- [PV Comics](#)
- [Designmeme](#)
- [Comixpress](#)
- [Dreamhost](#)
- [AAA Pop](#)
- [Lopez Studios](#)
- [Amazon.com](#)

[<< BACK](#) • [MORE >>](#)

Blambot Comic Fonts and Lettering, the fonts, artwork and all contents of this site © Nate Piekos unless otherwise noted. All Rights Reserved.



COMIC QUICK TIP

Draw your backgrounds as if they were as important as your main characters...because they are!

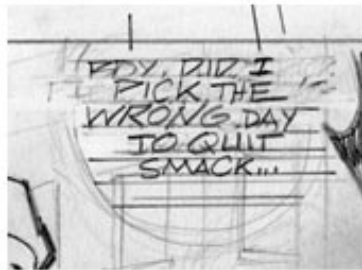
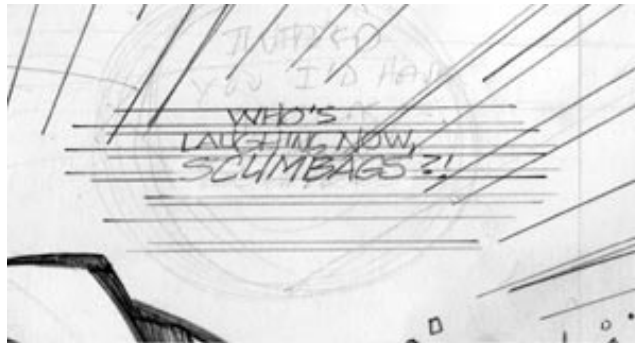
MAIN FRAME

LATEST FREE FONT

ZOOOM

LATEST PAY FONT

With your pencil, lightly write in the dialogue. Doing this helps you see what adjustments need to be made before you ink it. You can do this fore the whole page at this step.



Now you ink it in. Hunt 107 for regular and italic dialogue, and Rapidograph or Pigma Micron for bold. You can ink in the lettering for the whole page, working top to bottom, left to right, and then let it dry a bit.

BARGAINS

- Save 25% at checkout when you purchase three or more Pro Fonts!
- The 2004 **BLAMBOT FONT PAK** is available!

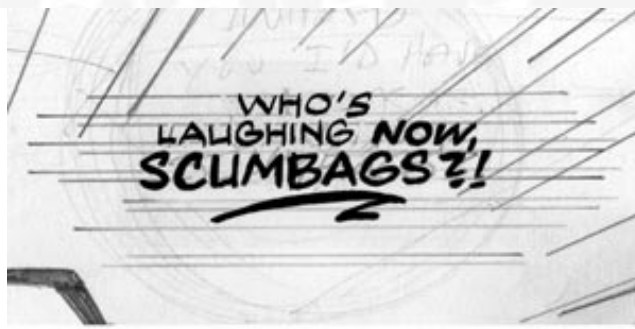
OUT NOW

- **ATLAND Volume 2** is out now! 32 pages, full color, just \$2.99!
- **ROBOT HEAD BRAND** t-shirt shop by Blambot's Piekos is now open!

PROJECTS



FRIENDS



[<< BACK](#) · [MORE >>](#)

- [PV Comics](#)
- [Designmeme](#)
- [Comixpress](#)
- [Dreamhost](#)
- [AAA Pop](#)
- [Lopez Studios](#)
- [Amazon.com](#)

Blambot Comic Fonts and Lettering, the fonts, artwork and all contents of this site © Nate Piekos unless otherwise noted. All Rights Reserved.





COMIC QUICK TIP

Don't rely on other comics for inspiration! Movies, literature and music can spark your mind!

MAIN FRAME

LATEST FREE FONT

ZOOOM

LATEST PAY FONT

Now with your circle templates, find the one that fits around your dialogue best, and ink in your balloon. Be careful of smudging. With the French curve (and t-square if you need a straight tail) make your tail about halfway between the balloon and the speaker. Let the balloons dry a bit.



Now it's time for sound effects. This is where you can be creative. Just like your dialogue, start by roughing with pencil...

<< BACK · MORE >>

BARGAINS

- Save 25% at checkout when you purchase three or more Pro Fonts!
- The 2004 **BLAMBOT FONT PAK** is available!

OUT NOW

- **ATLAND Volume 2** is out now! 32 pages, full color, just \$2.99!
- **ROBOT HEAD BRAND** t-shirt shop by Blambot's Piekos is now open!

PROJECTS



FRIENDS

- [PV Comics](#)
- [Designmeme](#)
- [Comixpress](#)
- [Dreamhost](#)
- [AAA Pop](#)
- [Lopez Studios](#)
- [Amazon.com](#)

Blambot Comic Fonts and Lettering, the fonts, artwork and all contents of this site © Nate Piekos unless otherwise noted. All Rights Reserved.



COMIC QUICK TIP

Writers, remember to trust your artists to help tell the story. Excessive dialogue is the hallmark of amateur writing.

MAIN FRAME

LATEST FREE FONT

ZOOOM

LATEST PAY FONT

BARGAINS

- Save 25% at checkout when you purchase three or more Pro Fonts!
- The 2004 **BLAMBOT FONT PAK** is available!

OUT NOW

- **ATLAND Volume 2** is out now! 32 pages, full color, just \$2.99!
- **ROBOT HEAD BRAND** t-shirt shop by Blambot's Piekos is now open!

PROJECTS



FRIENDS



Then ink. You can use your Rapidographs/Microns for this.



The last thing the hand letterer does is ink the panel borders and you're done! (Typically the inker will erase your pencil marks so you can leave them on.)

<< BACK · MORE >>

- [PV Comics](#)
- [Designmeme](#)
- [Comixpress](#)
- [Dreamhost](#)
- [AAA Pop](#)
- [Lopez Studios](#)
- [Amazon.com](#)

Blambot Comic Fonts and Lettering, the fonts, artwork and all contents of this site © Nate Piekos unless otherwise noted. All Rights Reserved.



COMIC QUICK TIP

Writers, learn the proper format for a script. It'll make everyone else's job easier.

MAIN FRAME

LATEST FREE FONT

ZOOOM

LATEST PAY FONT

BARGAINS

- Save 25% at checkout when you purchase three or more Pro Fonts!
- The 2004 **BLAMBOT FONT PAK** is available!

OUT NOW

- **ATLAND Volume 2** is out now! 32 pages, full color, just \$2.99!
- **ROBOT HEAD BRAND** t-shirt shop by Blambot's Piekos is now open!

PROJECTS



FRIENDS



Now go do page two!

A final note about style: Inevitably the question will be asked, "How do I develop my own style?" The answer (and you already guessed it, I'm sure) is PRACTICE! Take a sheet of Bristol board, line the whole thing from top to bottom with your Ames guide and letter your brains out over and over again. Figure out the letter forms that you like and get comfortable with them.

©2004 by Nate Piekos, all rights reserved. No portion of this article's text or graphics may be reproduced without the author's permission.

<< BACK

- [PV Comics](#)
- [Designmeme](#)
- [Comixpress](#)
- [Dreamhost](#)
- [AAA Pop](#)
- [Lopez Studios](#)
- [Amazon.com](#)

Blambot Comic Fonts and Lettering, the fonts, artwork and all contents of this site © Nate Piekos unless otherwise noted. All Rights Reserved.