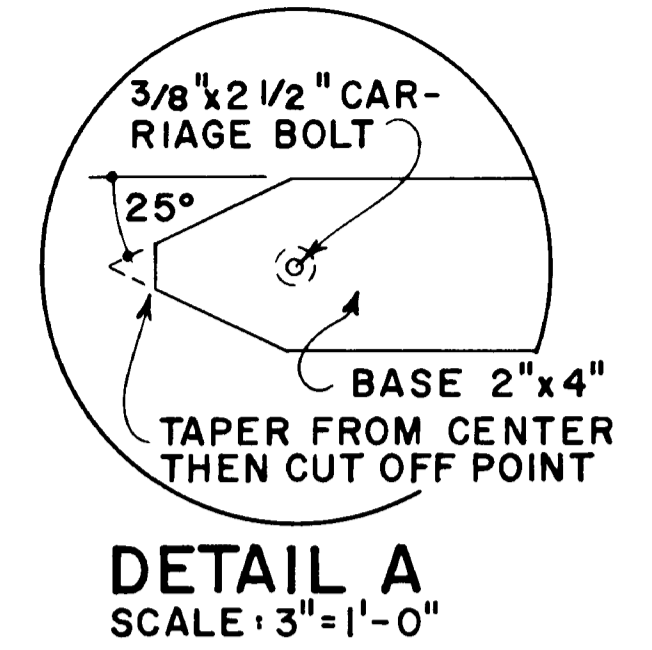
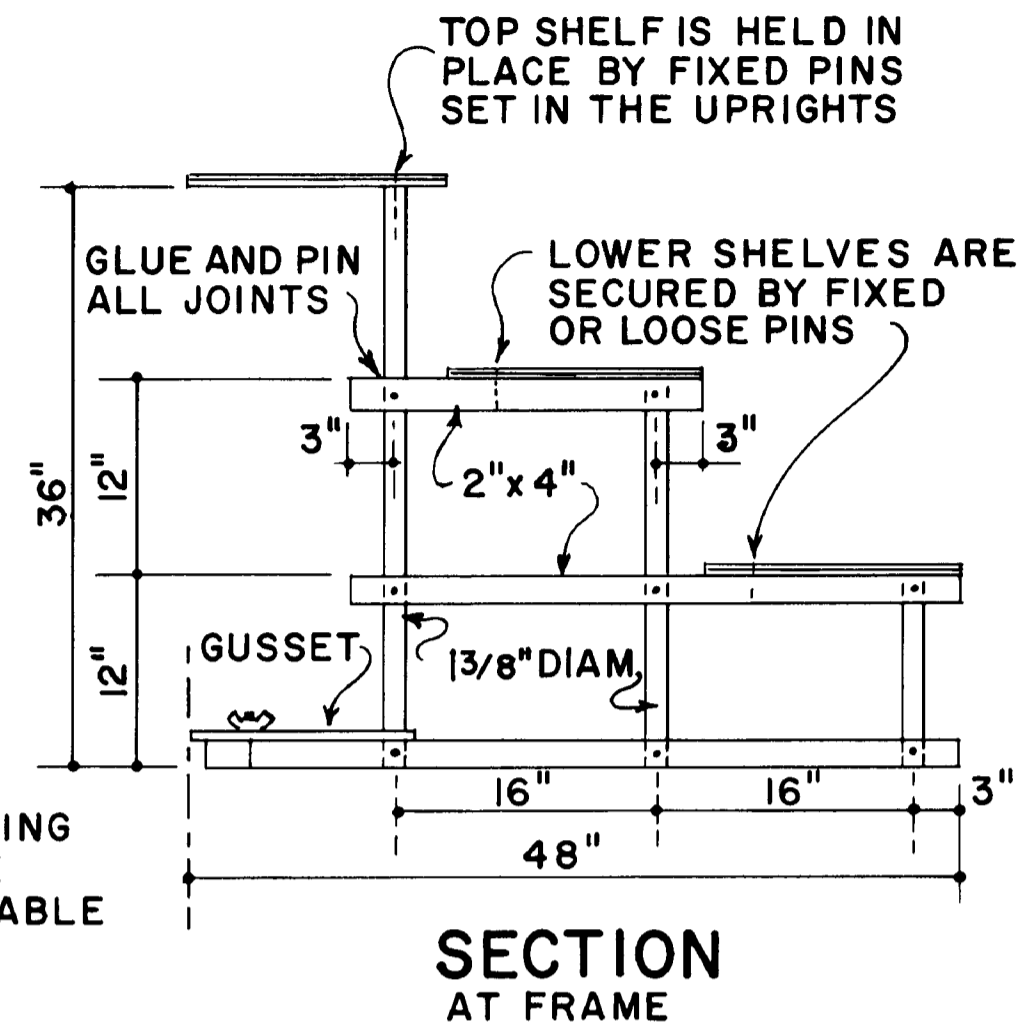
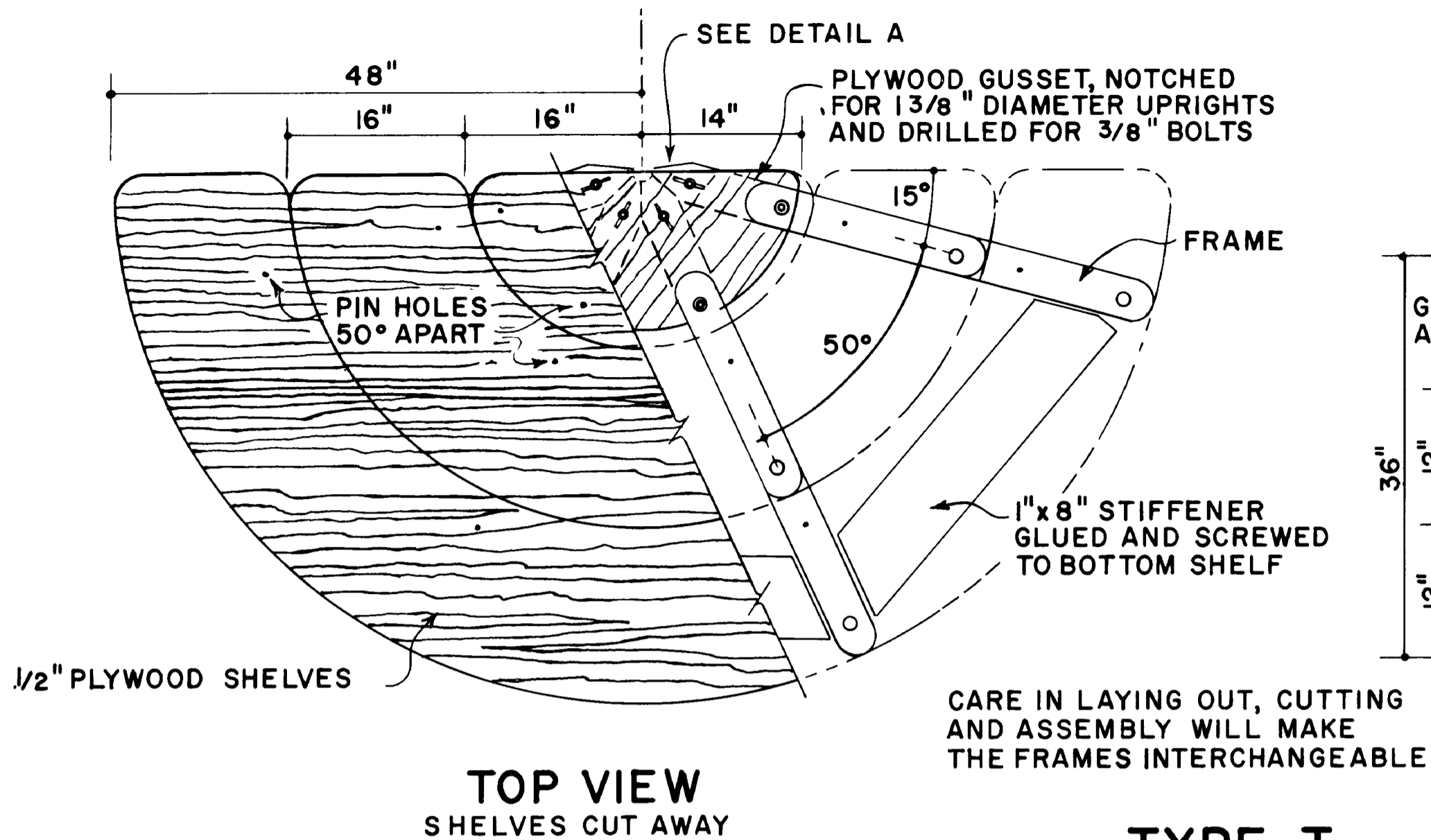


Important: Warranty Disclaimer for Plans

For the convenience of our clientele, this website makes available conceptual plans that can be helpful in planning buildings, facilities, or other structures. They were developed over many years by engineers at Land Grant universities through the former USDA Cooperative Farm Buildings Plan Exchange. *Regardless of the original intent, these are older plans that provide conceptual information only, and are not to be considered or used as construction plans.*

These plans do not claim to represent the most current technology or the most recent construction techniques, standards, or codes. For example, over the years there have been changes in the National Design Specifications for Wood Construction, changes in the strengths and types of building materials, and changes in fasteners, among other things. Those changes, along with variations in climate, building codes, and other factors, make it imperative that professional services be utilized for your specific project. Suggested services include, but are not limited to, structural design, assurance of compliance with codes and regulations, site selection, construction supervision, and provision for utilities, waste management, and access. *These plans do not replace the need for competent design assistance in developing safe, legal, and well-functioning agricultural buildings and systems.*

Neither the University of Kentucky, the Midwest Plan Service, the United States Department of Agriculture, nor any of the cooperating Land Grant universities, warranty these plans. They are for conceptual use only and are not for use as construction plans.

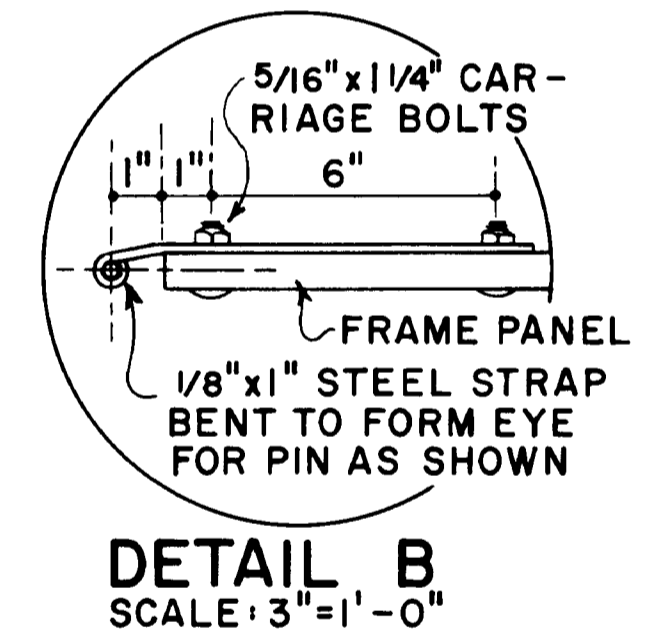
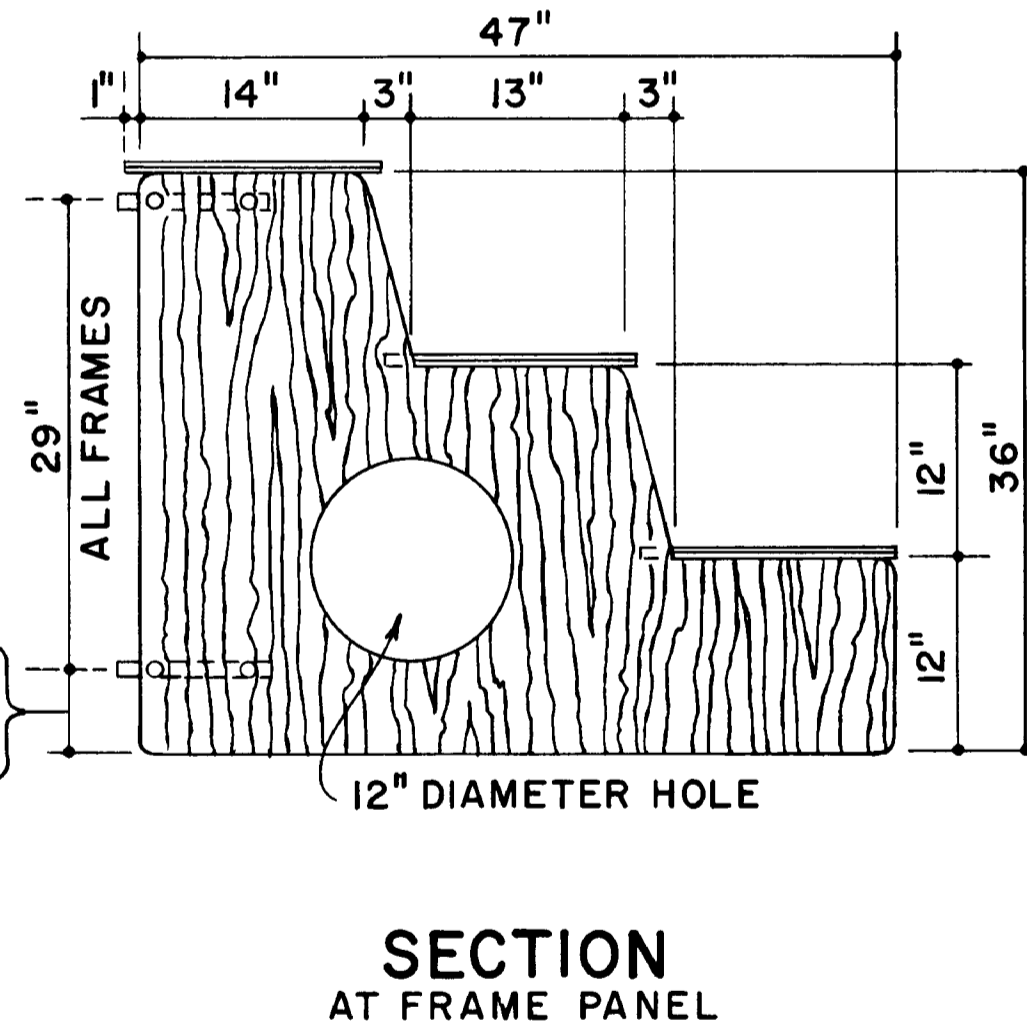
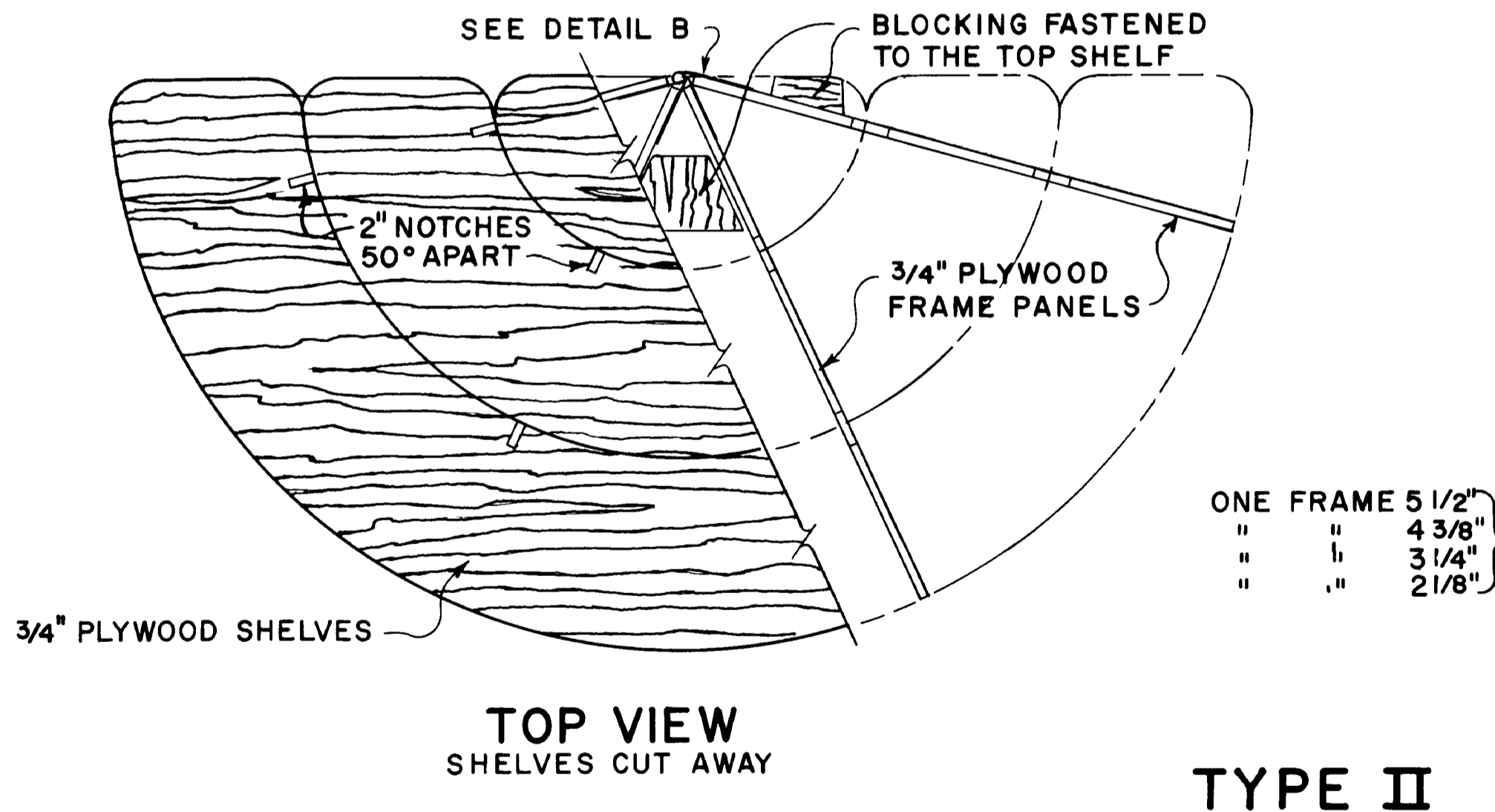


MATERIALS

ITEM	SIZE	NO.
PLYWOOD	1/2"x4'-0"x8'-0"	ONE
WOOD	2"x4"x4'-0"	FOUR
"	2"x4"x5'-0"	FOUR
"	1"x8"x8'-0"	ONE
"	1 3/8"D.x6'-0"	FOUR

(FASTENINGS NOT INCLUDED)

TYPE I



MATERIALS

ITEM	SIZE	NO.
PLYW'D	3/4"x4'-0"x8'-0"	TWO
OR		
PLYW'D	3/4"x4'-0"x8'-0"	ONE
"	1/2"x4'-0"x8'-0"	ONE
WOOD	1"x8"x10'-0"	ONE

(FASTENINGS NOT INCLUDED)

TYPE II

SHELVES FOR TYPE II MAY BE OF 1/2" PLYWOOD IF 1"x8" STIFFENERS ARE FASTENED UNDER THE BOTTOM SHELF, AS SHOWN FOR TYPE I

USE EXTERIOR GRADE PLYWOOD
SAND ALL EDGES AND SEAL WITH A WATERPROOF PENETRATING SEALER
WATERPROOF GLUE IS REQUIRED

SCALE 1"=1'-0", EXCEPT AS NOTED

COOPERATIVE EXTENSION WORK IN AGRICULTURE AND HOME ECONOMICS
DEPARTMENT OF AGRICULTURAL ENGINEERING
COLLEGE OF AGRICULTURE
UNIVERSITY OF KENTUCKY
AND
UNITED STATES DEPARTMENT OF AGRICULTURE COOPERATING

TWO DISPLAY STANDS FOR PRODUCE

USDA '64 EX 5982 SHEET 1 OF 1

REVISED 1972