

Important: Warranty Disclaimer for Plans

For the convenience of our clientele, this website makes available conceptual plans that can be helpful in planning buildings, facilities, or other structures. They were developed over many years by engineers at Land Grant universities through the former USDA Cooperative Farm Buildings Plan Exchange. *Regardless of the original intent, these are older plans that provide conceptual information only, and are not to be considered or used as construction plans.*

These plans do not claim to represent the most current technology or the most recent construction techniques, standards, or codes. For example, over the years there have been changes in the National Design Specifications for Wood Construction, changes in the strengths and types of building materials, and changes in fasteners, among other things. Those changes, along with variations in climate, building codes, and other factors, make it imperative that professional services be utilized for your specific project. Suggested services include, but are not limited to, structural design, assurance of compliance with codes and regulations, site selection, construction supervision, and provision for utilities, waste management, and access. *These plans do not replace the need for competent design assistance in developing safe, legal, and well-functioning agricultural buildings and systems.*

Neither the University of Kentucky, the Midwest Plan Service, the United States Department of Agriculture, nor any of the cooperating Land Grant universities, warranty these plans. They are for conceptual use only and are not for use as construction plans.

TYPES A, B, & C SILO

APPROXIMATE CAPACITIES

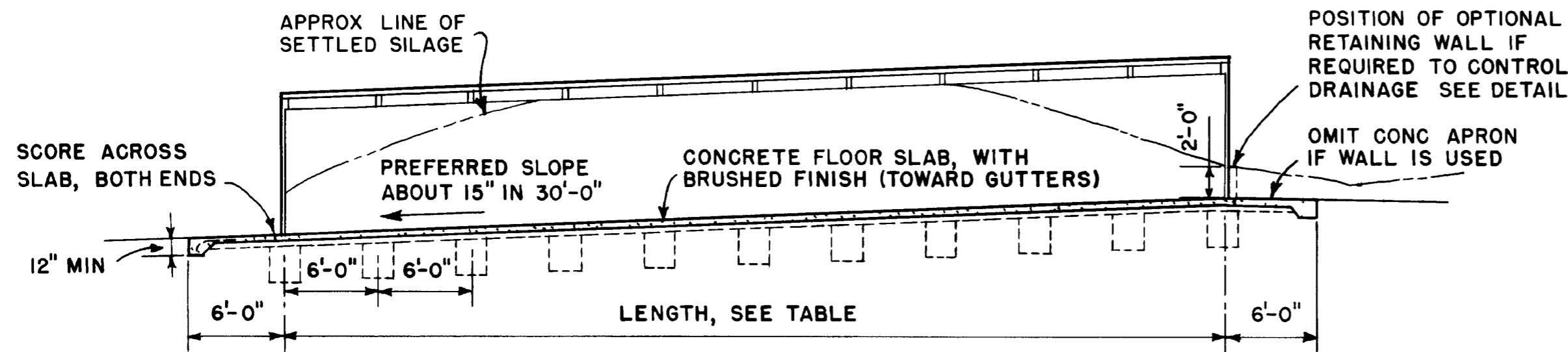
HERD SIZE	WIDTH OF SILO	LENGTH OF SILO			CAPACITY FOR EACH 6 FT OF LENGTH
		60 FT	78 FT	90 FT	
30 HEAD	16 FT.	114 TONS	163 TONS	196 TONS	16 TONS
37 "	20 "	141 "	202 "	242 "	20 "
44 "	24 "	168 "	240 "	288 "	24 "
51 "	28 "	195 "	278 "	334 "	28 "
58 "	32 "	222 "	317 "	380 "	32 "

CAPACITY IS BASED ON SILAGE WEIGHT OF 40 LBS PER CUBIC FOOT AND SETTLED DEPTH OF 8 FEET, EXCEPT AT ENDS

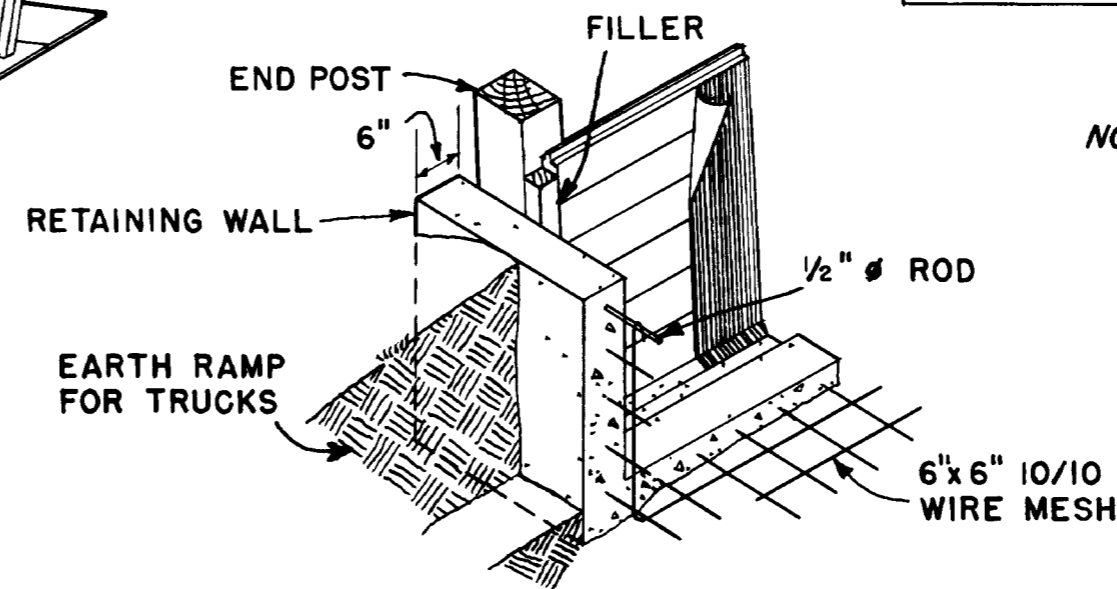
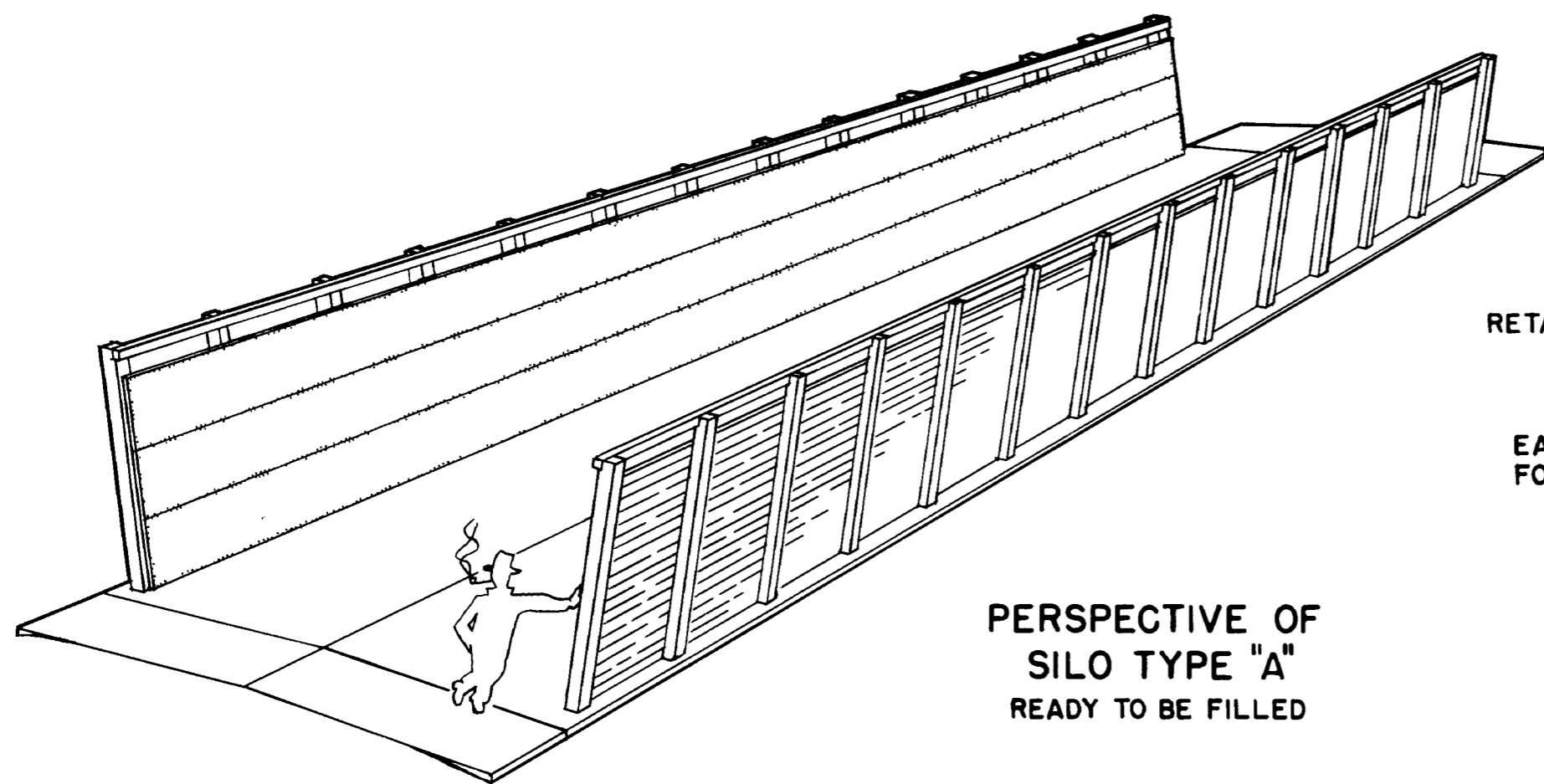
WIDTH OF SILO IS BASED ON HERD SIZE AND ON AN AVERAGE CONSUMPTION OF 60 LBS OF SILAGE PER ANIMAL PER DAY
 LENGTH OF SILO IS BASED ON 4" DAILY RATE OF USE FOR WARM WEATHER CONDITIONS LENGTH MAY BE VARIED IN UNITS OF 6 FEET.

FOR SELF-FEEDING, WITH FREE ACCESS, A SILO WIDTH OF 3" TO 6" PER HEAD IS REQUIRED

DETAILS OF MOVABLE FENCES FOR SELF-FEEDING ARE SHOWN ON PLAN NO 5872



LONGITUDINAL SECTION
 TYPE "A" SILO
 SCALE 1/8"=1'-0"

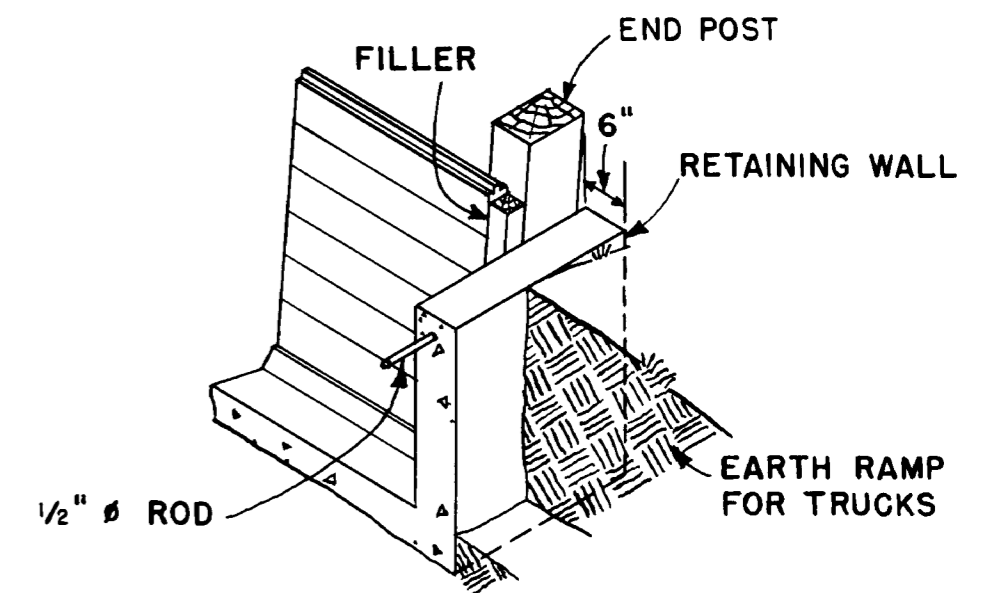


DETAIL OF OPTIONAL RETAINING WALL
 TYPE "A" SILO
 SCALE. 1/2"=1'-0"

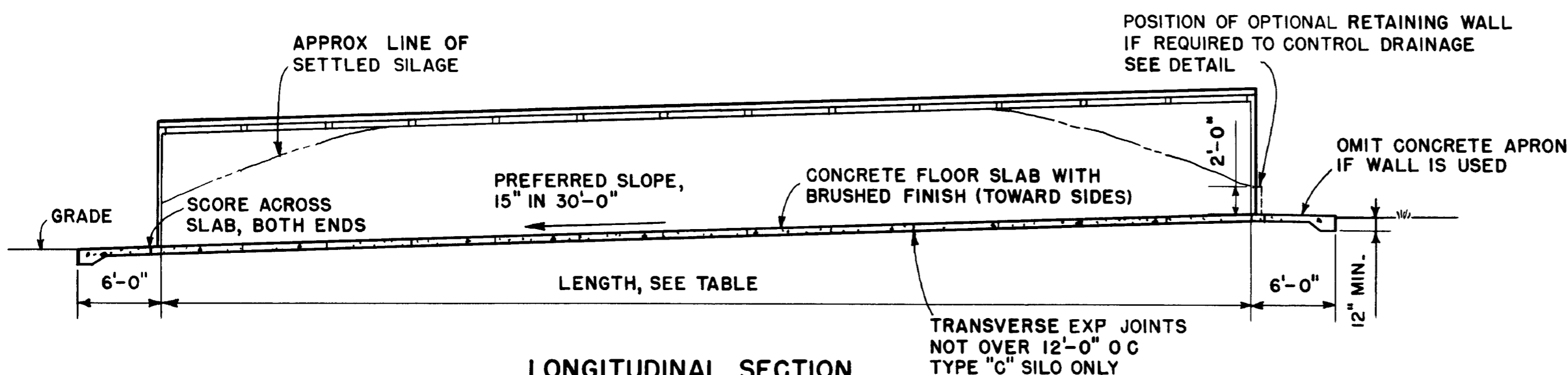
NOTE ALL CONCRETE TO BE 1.2 1/2 3 1/2 MIX, WITH NOT MORE THAN 6 GALLONS OF WATER PER BAG OF CEMENT

ALL WOOD SHOULD BE PRESSURE-TREATED WITH PRESERVATIVE (AFTER CUTTING) TO 8 LBS. PER CUBIC FOOT RETENTION

STAGGER END JOINTS OF PLANKS IN EACH ROW SO JOINTS FALL ON ALTERNATE POSTS.



DETAIL OF OPTIONAL RETAINING WALL
 TYPES "B & C" SILO
 SCALE 1/2"=1'-0"



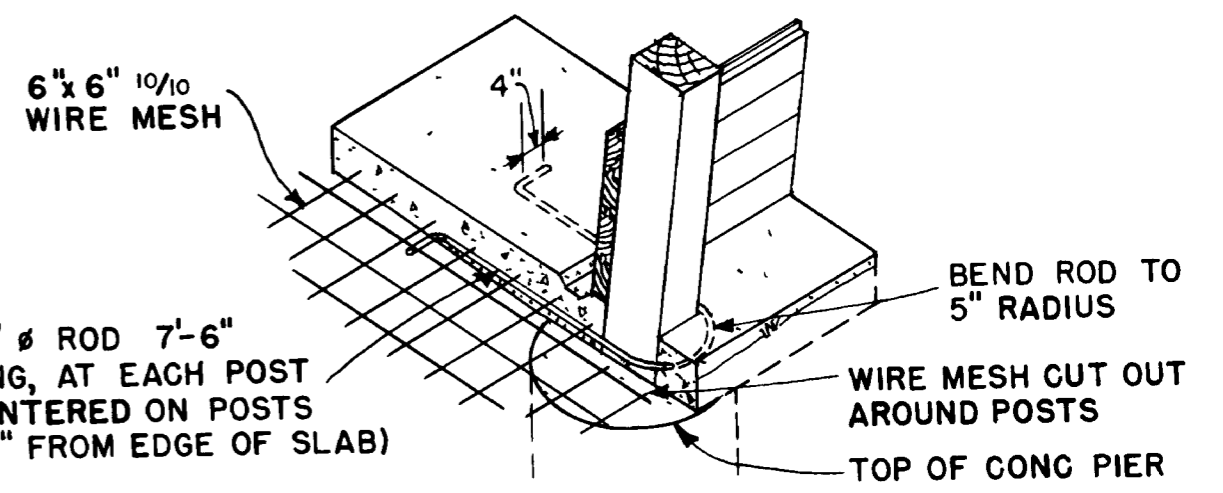
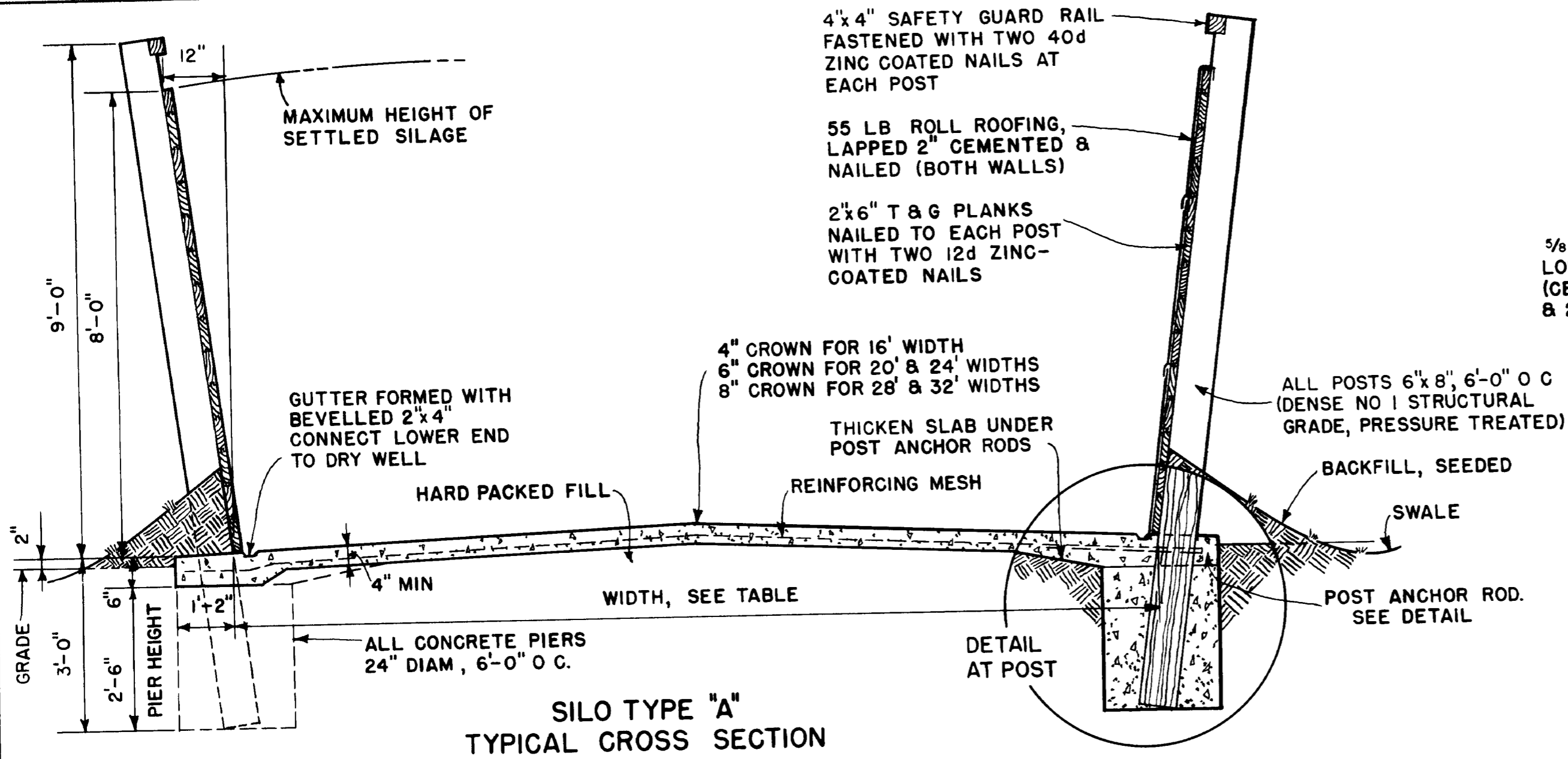
LONGITUDINAL SECTION
 TYPES "B & C" SILO
 SCALE 1/8"=1'-0"

COOPERATIVE EXTENSION WORK IN
 AGRICULTURE AND HOME ECONOMICS

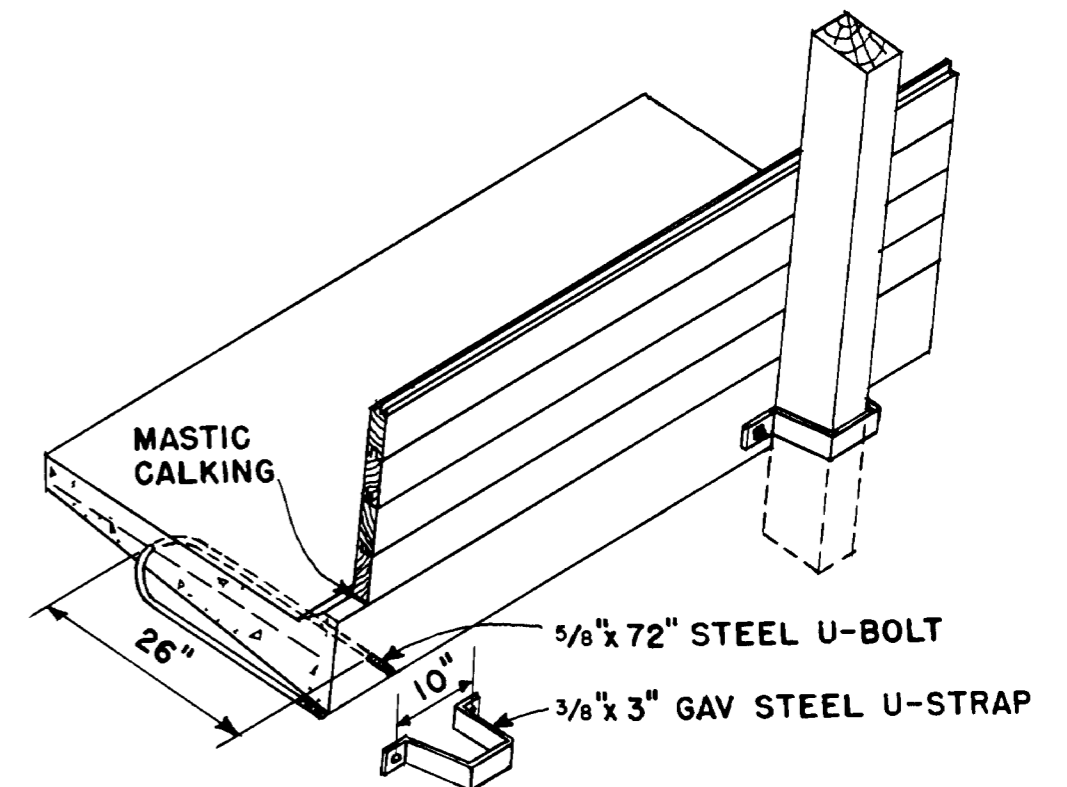
UNIVERSITY OF KENTUCKY
 AND
 UNITED STATES DEPARTMENT OF AGRICULTURE COOPERATING

SILO TYPES A, B, & C

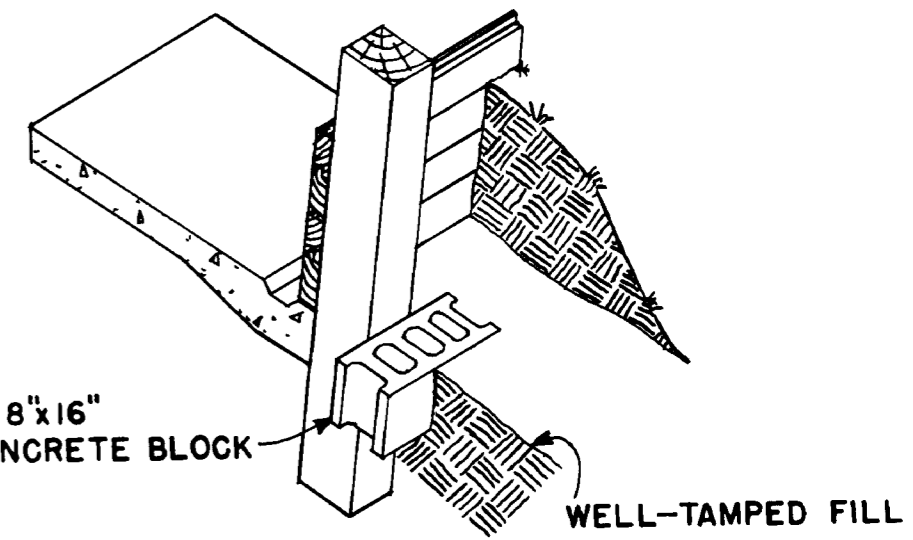
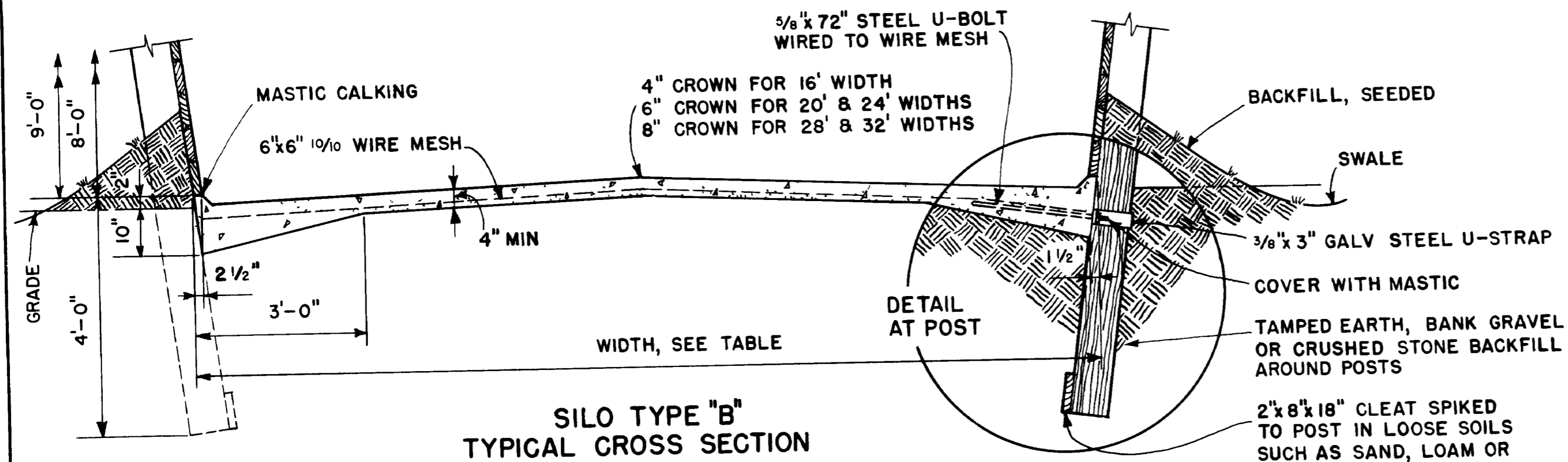
USDA '68 EX 6048 SHEET 1 OF 2



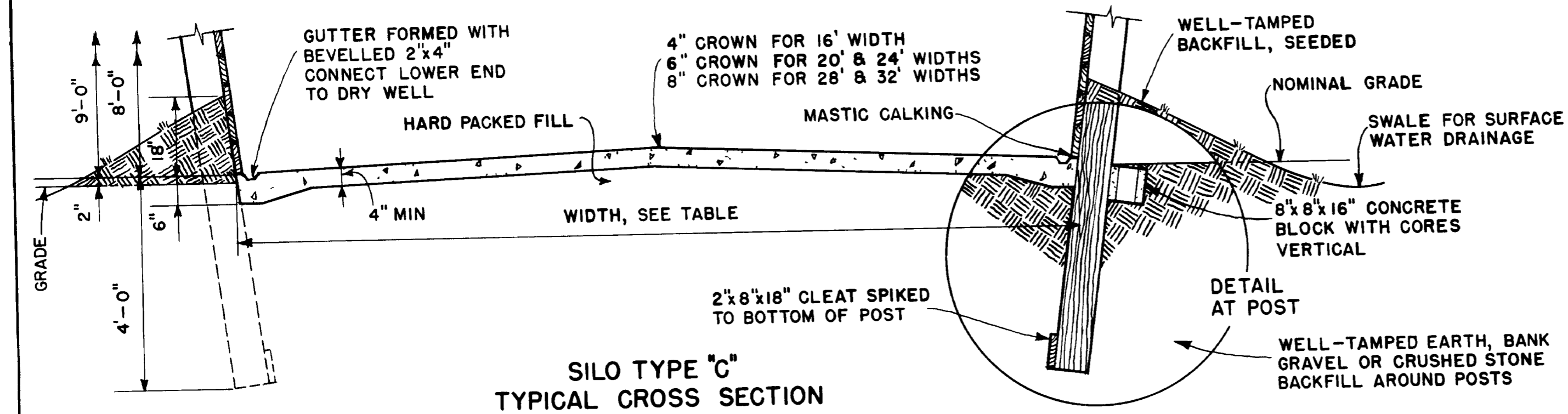
DETAIL OF POST ANCHORAGE SILO TYPE "A"



DETAIL OF POST ANCHORAGE SILO TYPE "B"



POST DETAIL SILO TYPE "C"



NOTE SCALE 1/2" = 1'-0" THRU-OUT UNLESS OTHERWISE NOTED

COOPERATIVE EXTENSION WORK IN AGRICULTURE AND HOME ECONOMICS		
UNIVERSITY OF KENTUCKY		
AND UNITED STATES DEPARTMENT OF AGRICULTURE COOPERATING		
SILO TYPES A, B, & C.		
USDA	'68	EX 6048 SHEET 2 OF 2