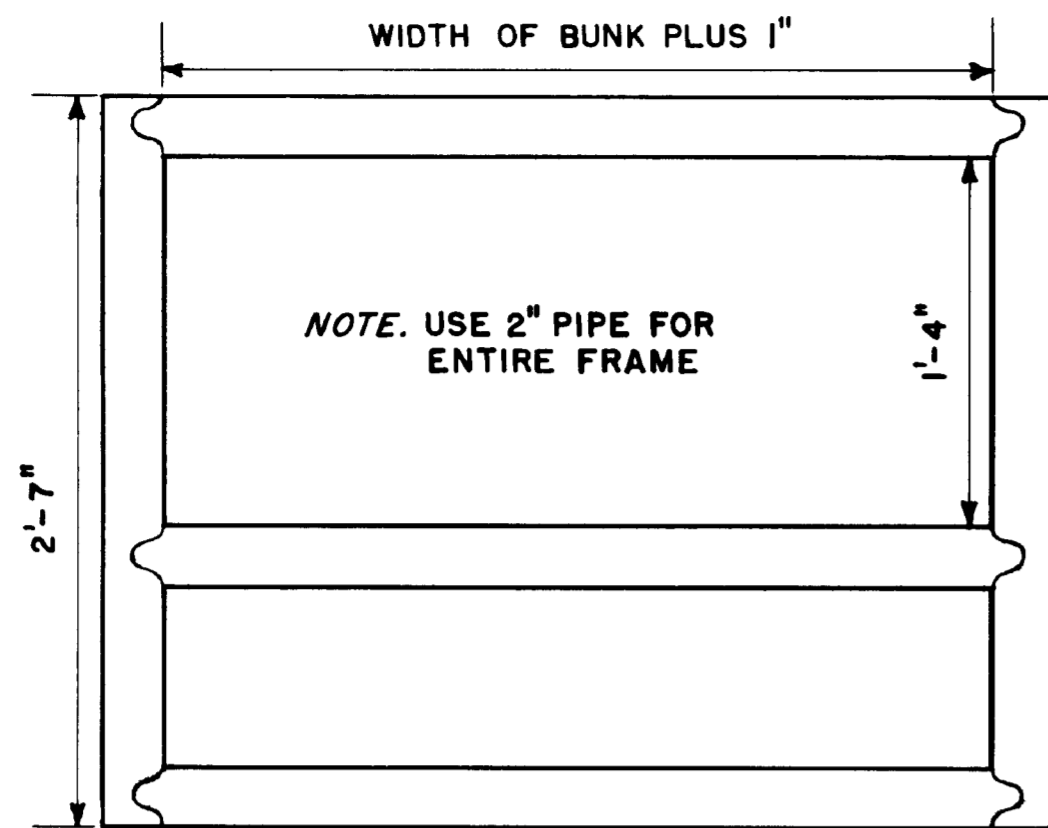


## **Important: Warranty Disclaimer for Plans**

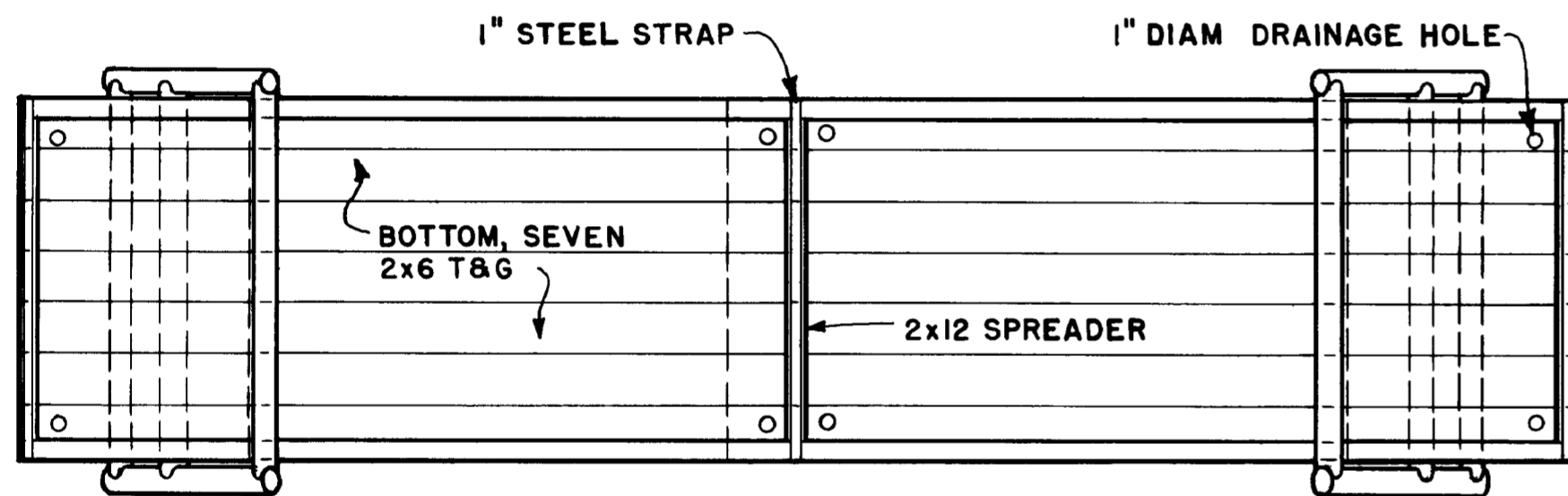
For the convenience of our clientele, this website makes available conceptual plans that can be helpful in planning buildings, facilities, or other structures. They were developed over many years by engineers at Land Grant universities through the former USDA Cooperative Farm Buildings Plan Exchange. *Regardless of the original intent, these are older plans that provide conceptual information only, and are not to be considered or used as construction plans.*

These plans do not claim to represent the most current technology or the most recent construction techniques, standards, or codes. For example, over the years there have been changes in the National Design Specifications for Wood Construction, changes in the strengths and types of building materials, and changes in fasteners, among other things. Those changes, along with variations in climate, building codes, and other factors, make it imperative that professional services be utilized for your specific project. Suggested services include, but are not limited to, structural design, assurance of compliance with codes and regulations, site selection, construction supervision, and provision for utilities, waste management, and access. *These plans do not replace the need for competent design assistance in developing safe, legal, and well-functioning agricultural buildings and systems.*

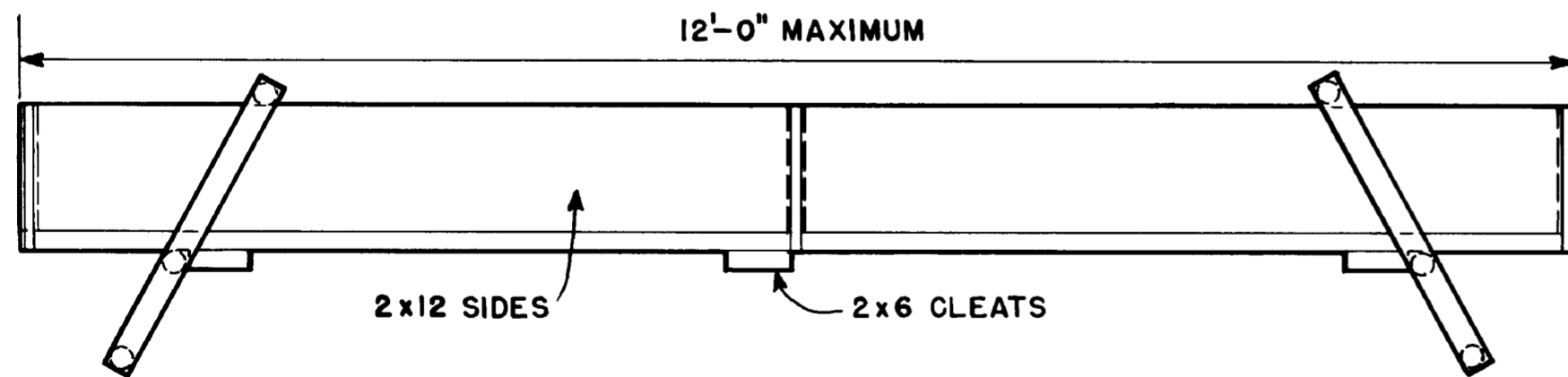
**Neither the University of Kentucky, the Midwest Plan Service, the United States Department of Agriculture, nor any of the cooperating Land Grant universities, warranty these plans. They are for conceptual use only and are not for use as construction plans.**



SUPPORT FRAME

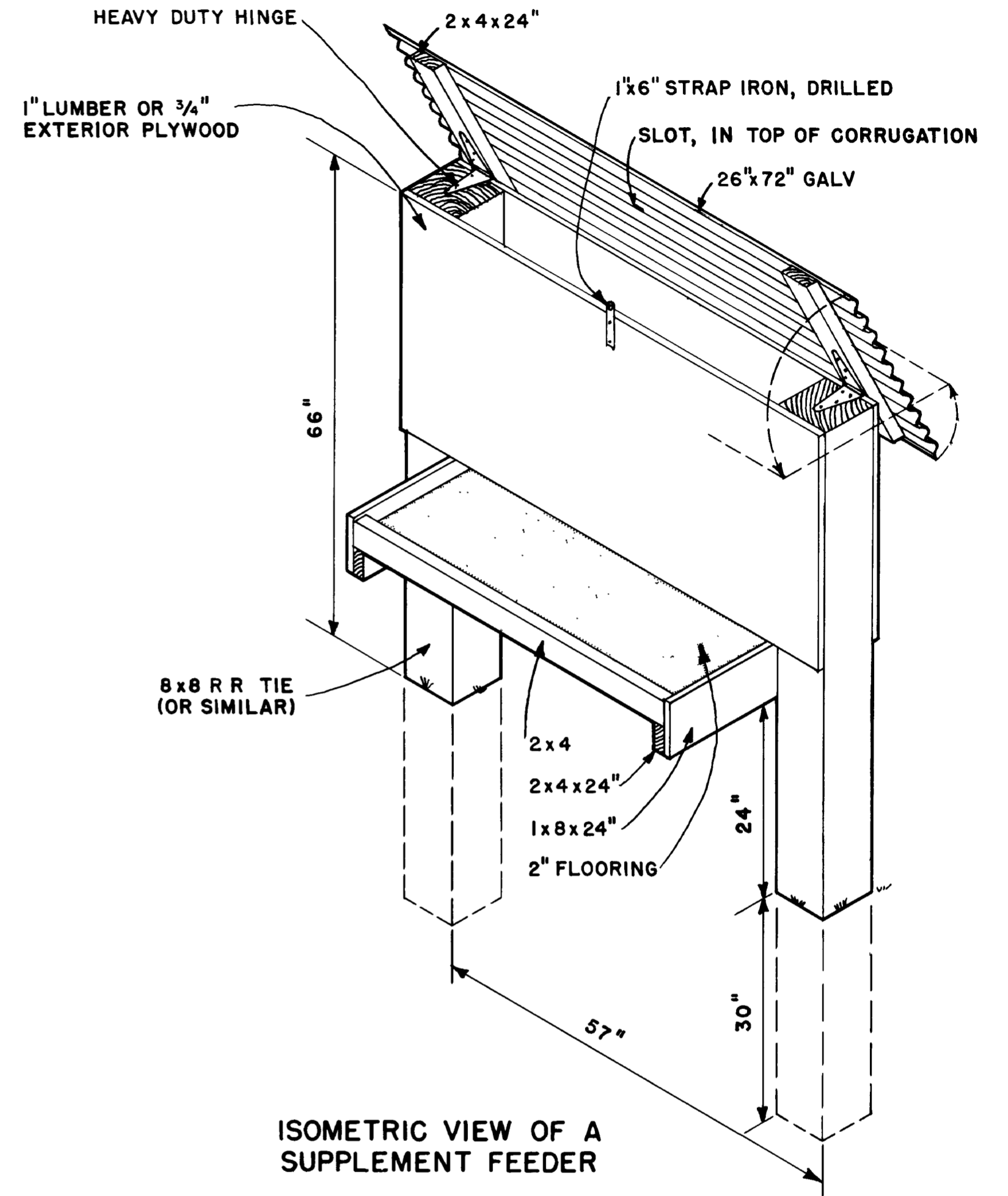


PLAN

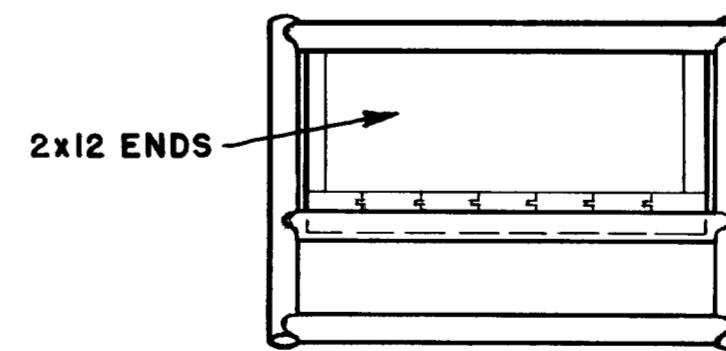


SIDE ELEVATION

PORTABLE FEED BUNK



ISOMETRIC VIEW OF A SUPPLEMENT FEEDER



END ELEVATION

NOT TO SCALE

COOPERATIVE EXTENSION WORK IN  
 AGRICULTURE AND HOME ECONOMICS  
 DEPARTMENT OF AGRICULTURAL ENGINEERING  
 COLLEGE OF AGRICULTURE  
 UNIVERSITY OF KENTUCKY  
 AND  
 UNITED STATES DEPARTMENT OF AGRICULTURE COOPERATING

**CATTLE FEEDERS**

CAL '69 EX 6066 SHEET 1 OF 1

REVISED 1972

CAUTION DO NOT USE PAINT CONTAINING LEAD ON THESE FEEDERS