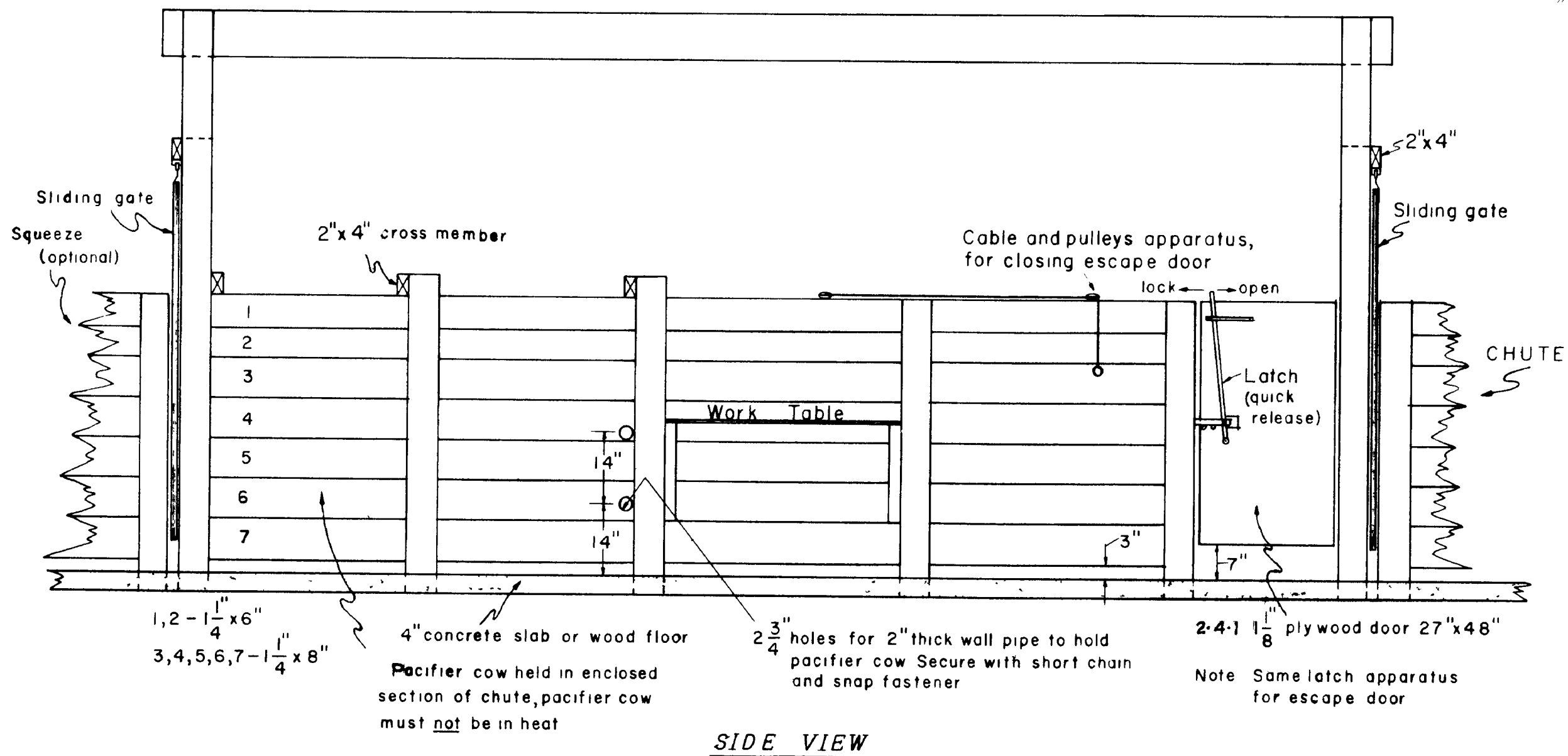
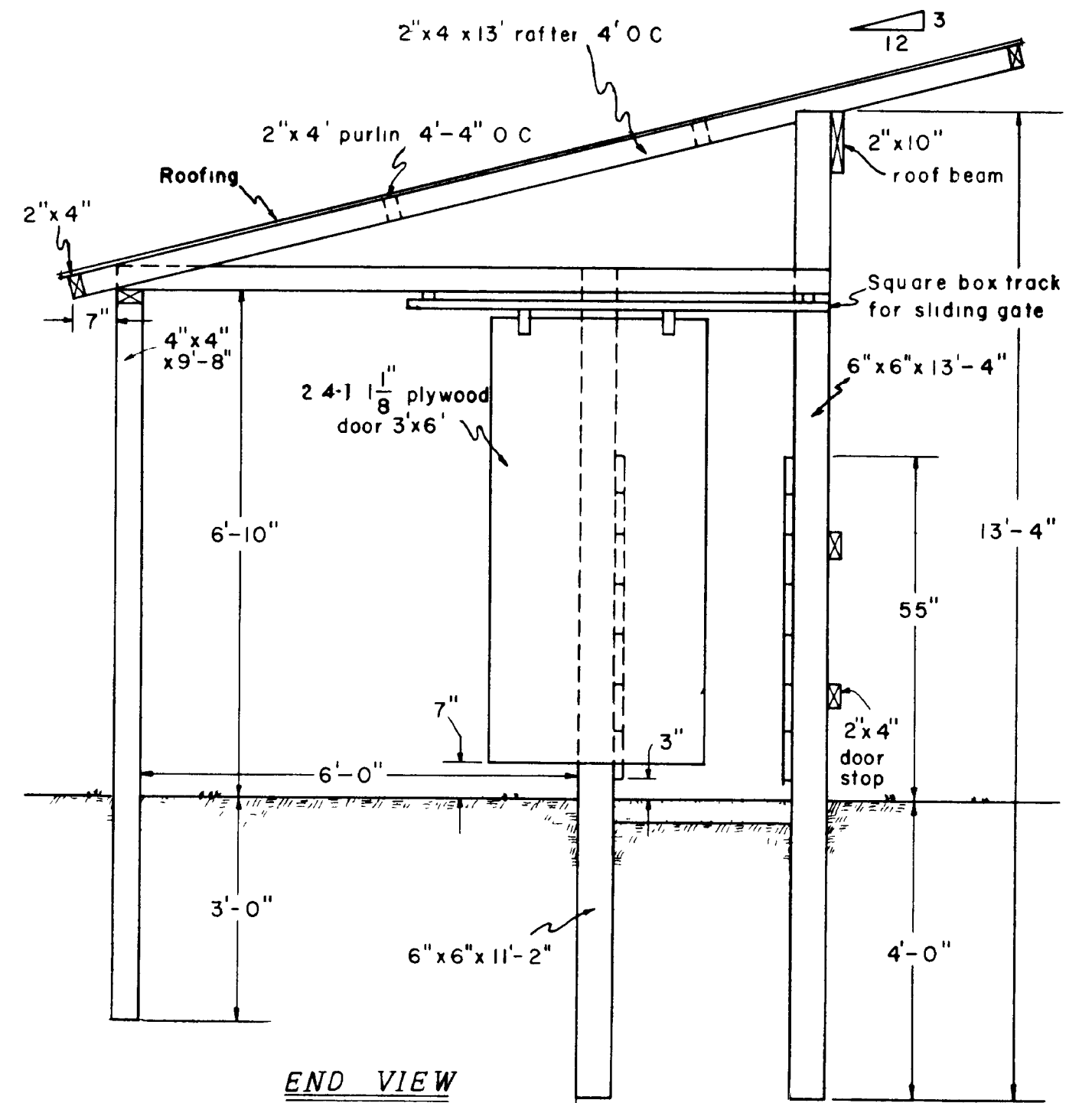
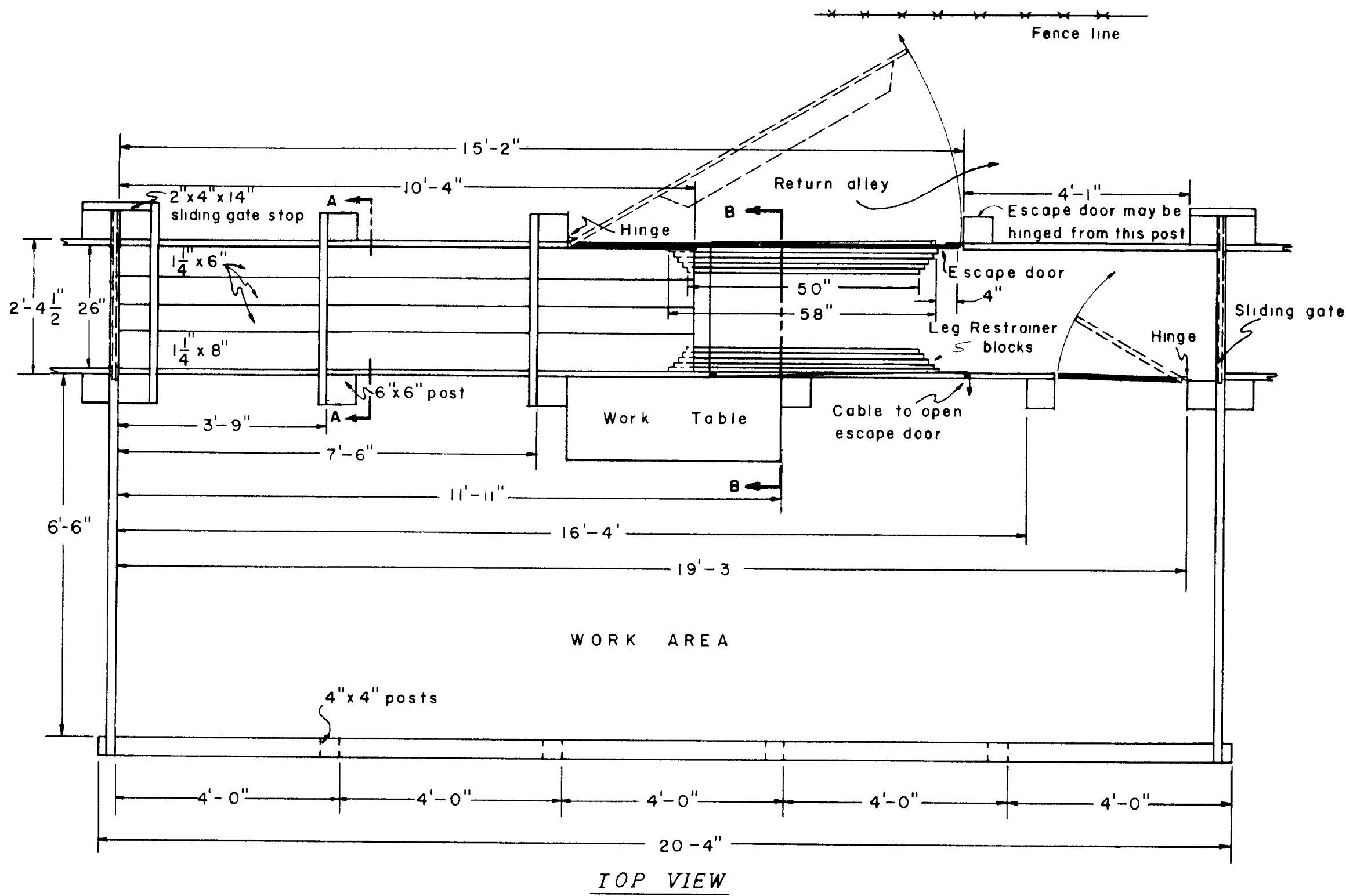


Important: Warranty Disclaimer for Plans

For the convenience of our clientele, this website makes available conceptual plans that can be helpful in planning buildings, facilities, or other structures. They were developed over many years by engineers at Land Grant universities through the former USDA Cooperative Farm Buildings Plan Exchange. *Regardless of the original intent, these are older plans that provide conceptual information only, and are not to be considered or used as construction plans.*

These plans do not claim to represent the most current technology or the most recent construction techniques, standards, or codes. For example, over the years there have been changes in the National Design Specifications for Wood Construction, changes in the strengths and types of building materials, and changes in fasteners, among other things. Those changes, along with variations in climate, building codes, and other factors, make it imperative that professional services be utilized for your specific project. Suggested services include, but are not limited to, structural design, assurance of compliance with codes and regulations, site selection, construction supervision, and provision for utilities, waste management, and access. *These plans do not replace the need for competent design assistance in developing safe, legal, and well-functioning agricultural buildings and systems.*

Neither the University of Kentucky, the Midwest Plan Service, the United States Department of Agriculture, nor any of the cooperating Land Grant universities, warranty these plans. They are for conceptual use only and are not for use as construction plans.



SCALE: 1/2" = 1'-0" EXCEPT AS NOTED

COOPERATIVE EXTENSION WORK IN
 AGRICULTURE AND HOME ECONOMICS
 DEPARTMENT OF AGRICULTURAL ENGINEERING
 COLLEGE OF AGRICULTURE
 UNIVERSITY OF KENTUCKY
 AND
 UNITED STATES DEPARTMENT OF AGRICULTURE COOPERATING

**BREEDING CHUTE
 FOR BEEF CATTLE**

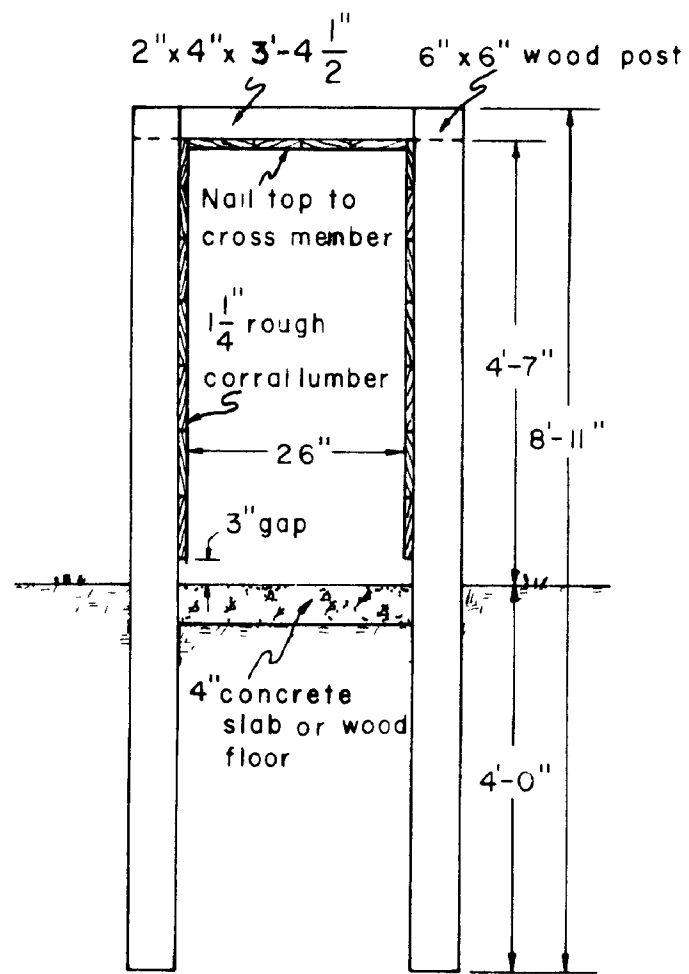
CALIF '70 **6103** SHEET 2 OF 2

Note

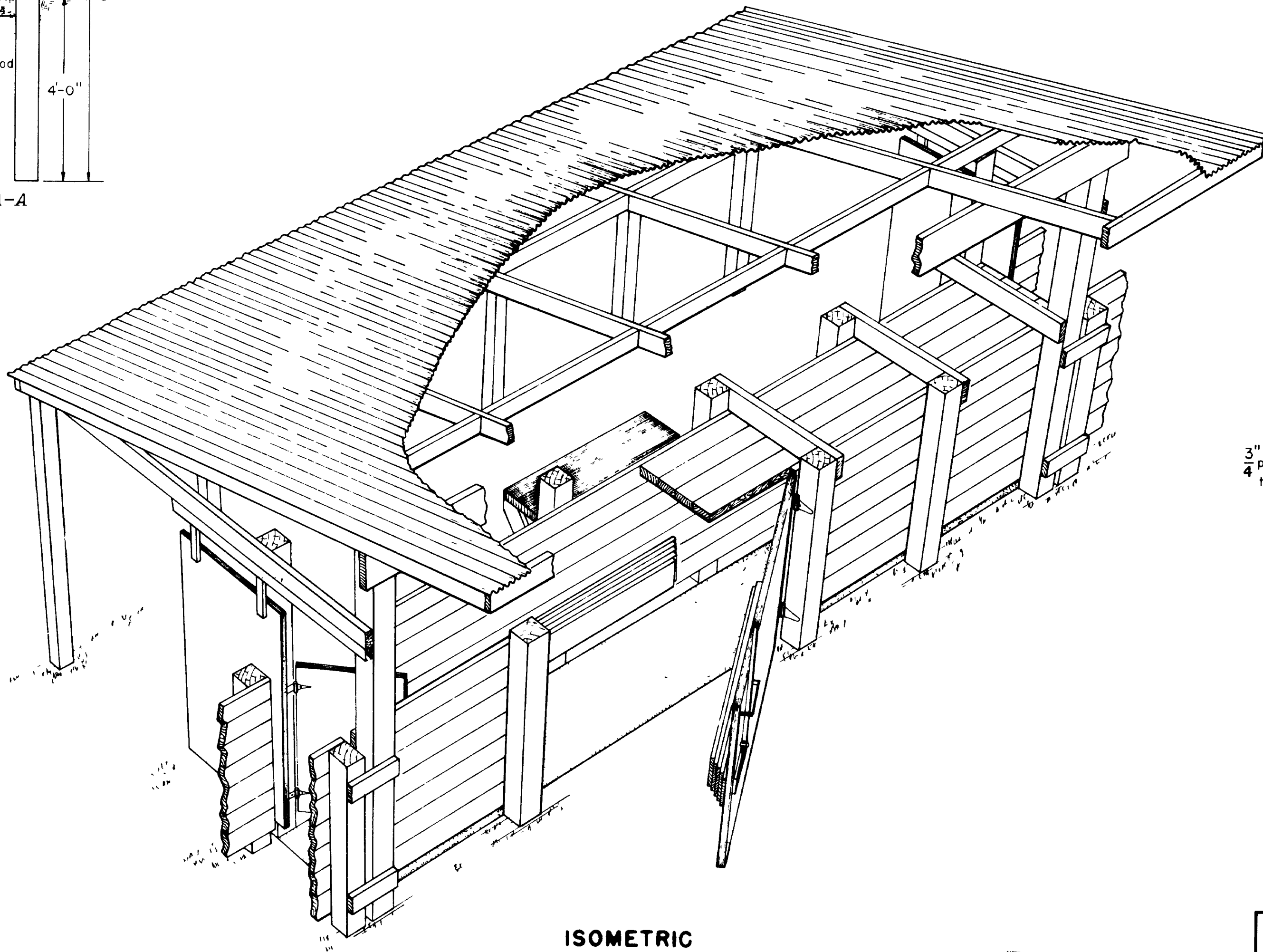
Corrugated translucent plastic panel roofing installed in accordance with manufacturer's directions

All poles and wood in contact with the ground to be pressure treated with a preservative

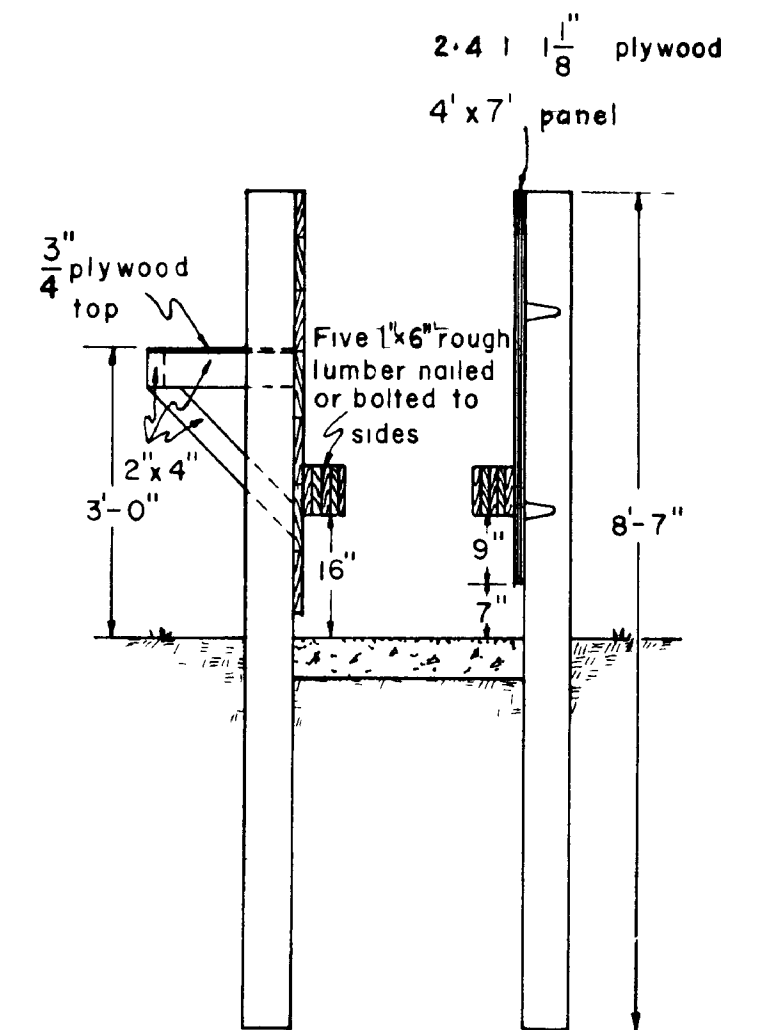
REVISED 1/31



SECTION A-A



ISOMETRIC



SECTION B-B

SCALE: 1/2" = 1'-0" EXCEPT AS NOTED

"THESE PLANS ARE FOR USE AS A CONSTRUCTION GUIDE IF A CONSTRUCTION CONTRACT IS TO BE MADE, WRITTEN SPECIFICATIONS ARE NEEDED"

Designed by Gene Rambo
University of Calif Plan C
Davis, Calif

COOPERATIVE EXTENSION WORK IN AGRICULTURE AND HOME ECONOMICS DEPARTMENT OF AGRICULTURAL ENGINEERING COLLEGE OF AGRICULTURE UNIVERSITY OF KENTUCKY AND UNITED STATES DEPARTMENT OF AGRICULTURE COOPERATING		
BREEDING CHUTE FOR BEEF CATTLE		
CALIF '70	6103	SHEET 1 OF 2
REVIEWED 10/72		