

Important: Warranty Disclaimer for Plans

For the convenience of our clientele, this website makes available conceptual plans that can be helpful in planning buildings, facilities, or other structures. They were developed over many years by engineers at Land Grant universities through the former USDA Cooperative Farm Buildings Plan Exchange. *Regardless of the original intent, these are older plans that provide conceptual information only, and are not to be considered or used as construction plans.*

These plans do not claim to represent the most current technology or the most recent construction techniques, standards, or codes. For example, over the years there have been changes in the National Design Specifications for Wood Construction, changes in the strengths and types of building materials, and changes in fasteners, among other things. Those changes, along with variations in climate, building codes, and other factors, make it imperative that professional services be utilized for your specific project. Suggested services include, but are not limited to, structural design, assurance of compliance with codes and regulations, site selection, construction supervision, and provision for utilities, waste management, and access. *These plans do not replace the need for competent design assistance in developing safe, legal, and well-functioning agricultural buildings and systems.*

Neither the University of Kentucky, the Midwest Plan Service, the United States Department of Agriculture, nor any of the cooperating Land Grant universities, warranty these plans. They are for conceptual use only and are not for use as construction plans.

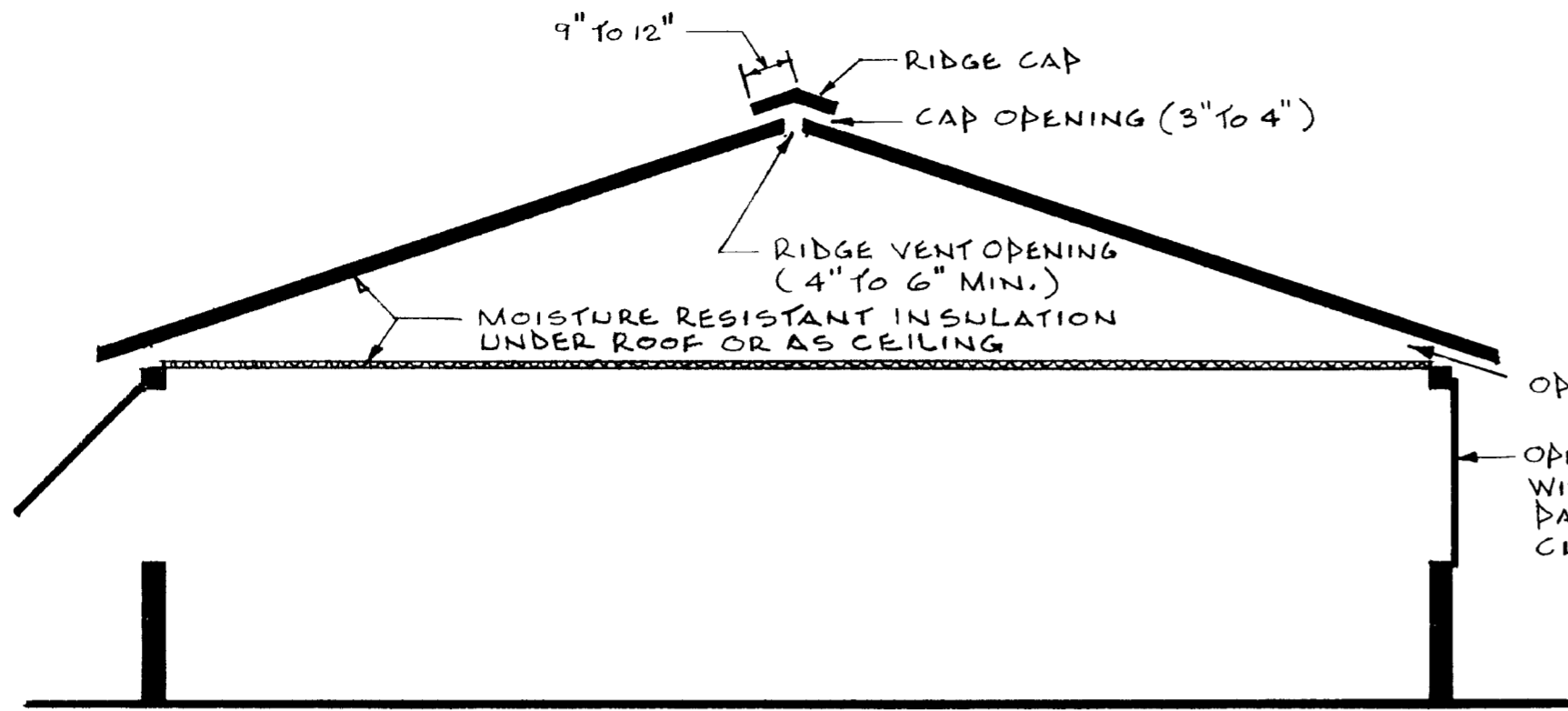


FIG. 1

NATURAL VENTILATION OPENINGS RECOMMENDED

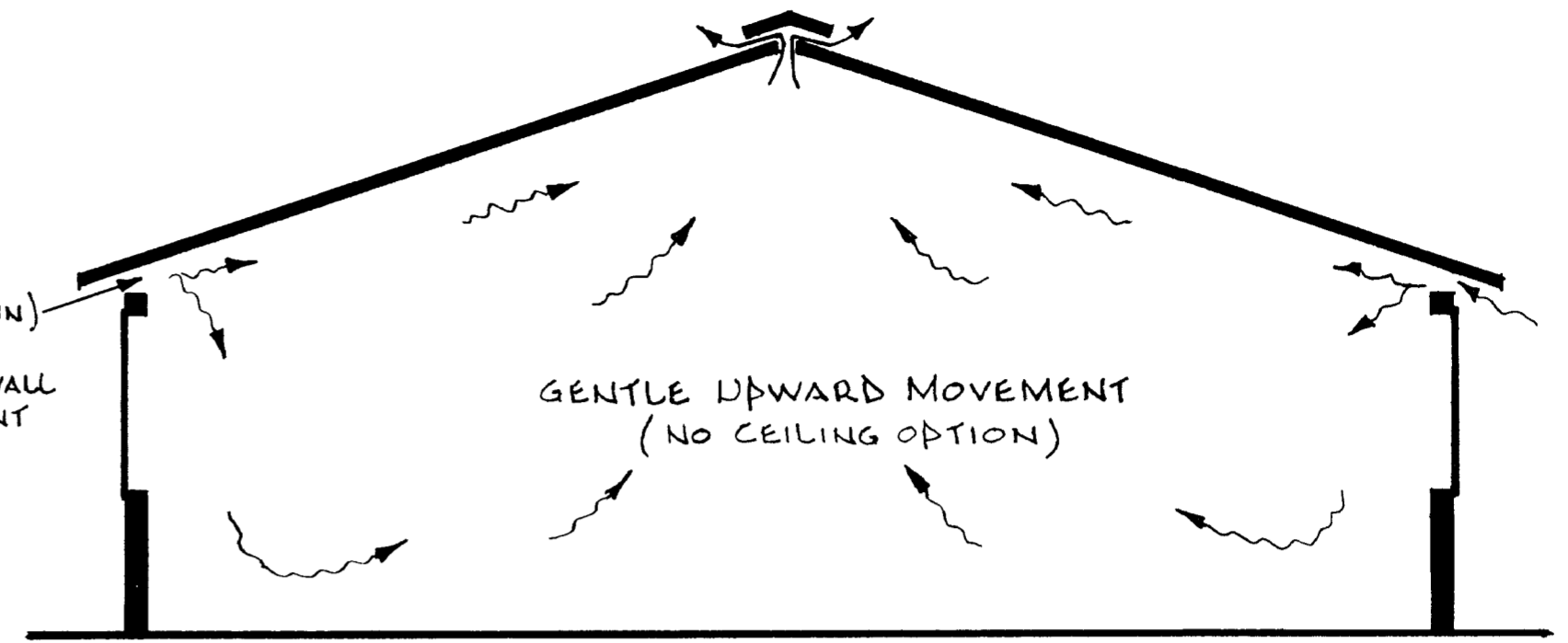


FIG. 2.

WINTER AIR MOVEMENT IN BUILDING
NO WIND OUTSIDE

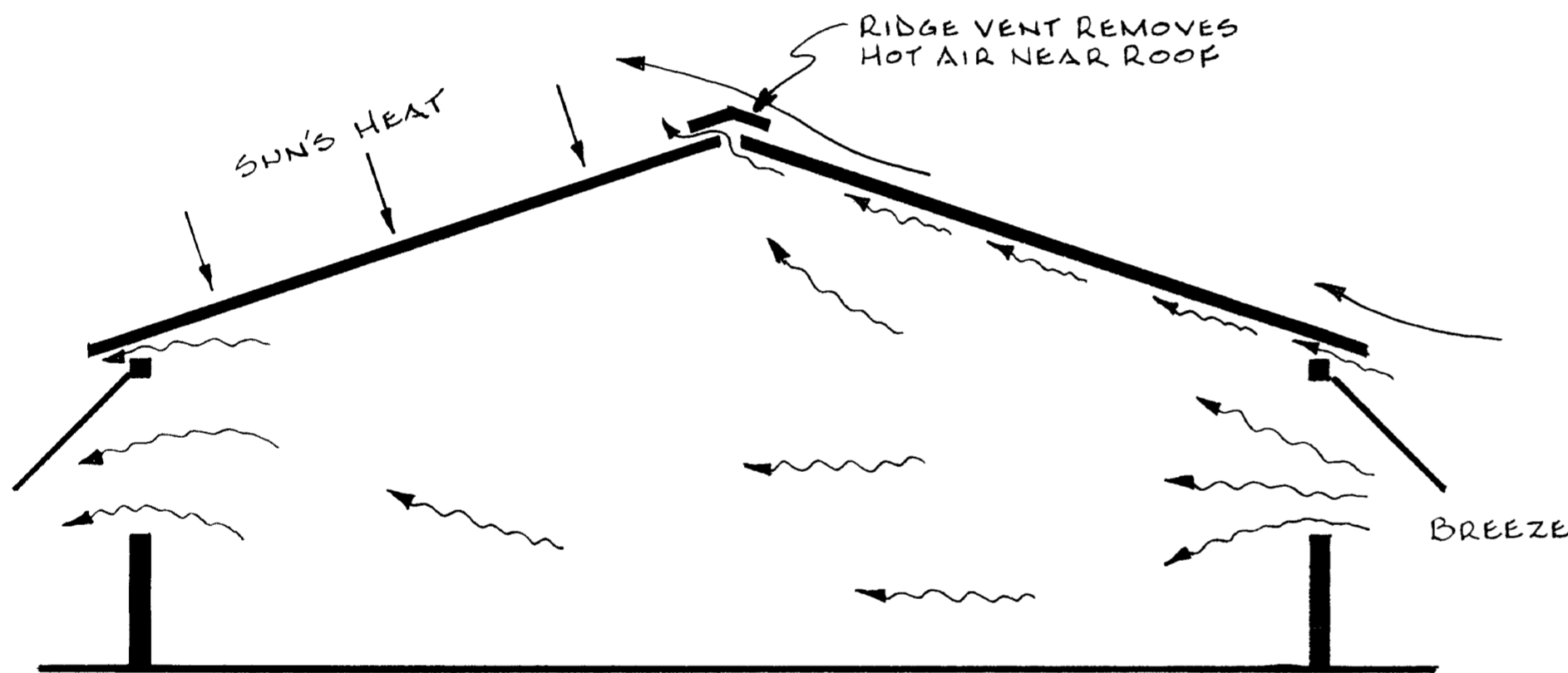


FIG. 3.

SUMMER AIR MOVEMENT
SIDEWALL VENTS OPEN
(NO CEILING OPTION)

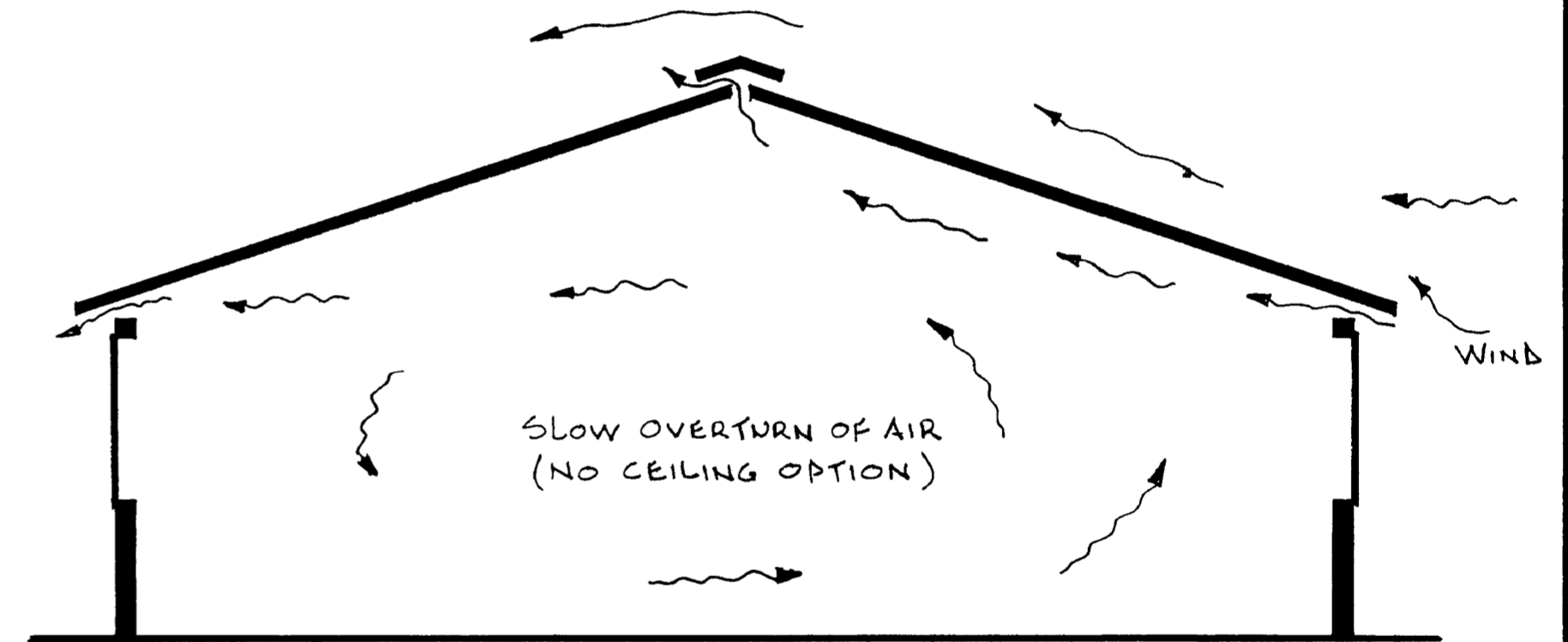
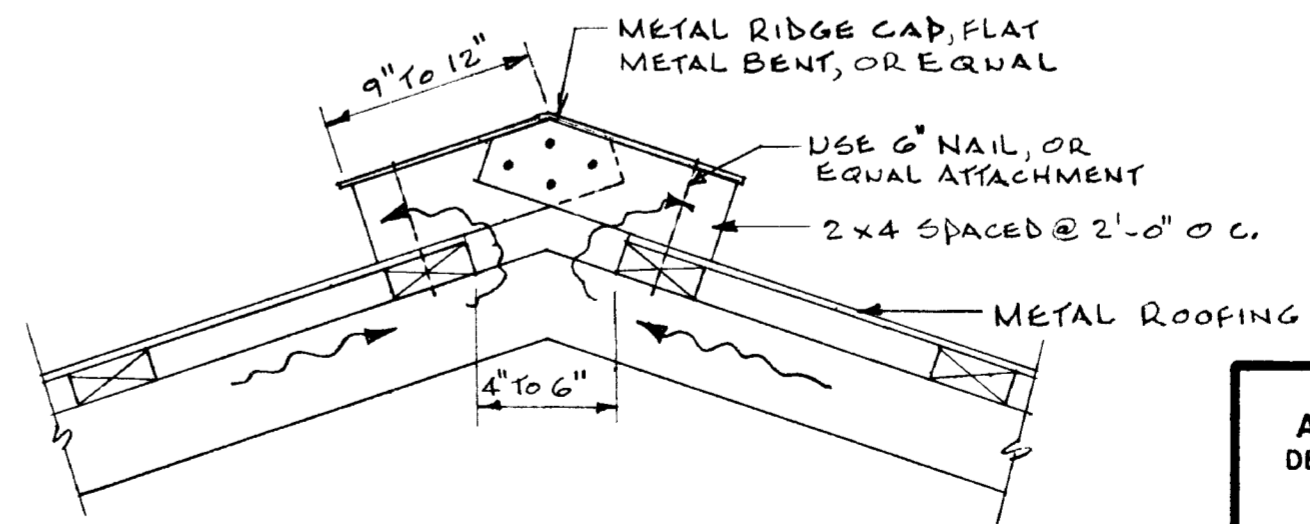


FIG. 4.

WINTER AIR MOVEMENT IN BUILDING
WIND BLOWING

VENTILATION REQUIREMENTS FOR COLD-TYPE, ENCLOSED ANIMAL BUILDINGS

- 1 RIDGE VENT OPENING - 4" to 6" OPENING FOR BUILDINGS UP TO 40' WIDE, OVER 40' WIDE - 1 1/4" PER 10' OF WIDTH.
- 2 EAVE VENT OPENING - 6" MINIMUM HEIGHT, BETWEEN RAFTERS BOTH SIDES OF BARN
- 3 OPENABLE PANELS, CURTAINS, OR WINDOWS - CONTINUOUS BOTH SIDES OF BARN 3' TO 4' HIGH, OR 1/2 SIDEWALL HEIGHT
- 4 RIDGE CAP - BENT METAL SPACED ABOVE ROOF OR EQUIVALENT COMMERCIAL DESIGN.
- 5 RIDGE CAP OPENING - 3" TO 4" UNDER CAP, BOTH SIDES, OR EQUIVALENT OPENING ON COMMERCIAL DESIGNS
- 6 WHITE PAINTED OR ALUMINUM ROOFING FOR REFLECTIVE COOLING IN SUMMER.
- 7 MOISTURE RESISTANT INSULATION UNDER ROOF OR AS CEILING TO PREVENT WINTER CONDENSATION AND BLOCK SUMMER RADIANT HEAT FROM ROOF



RIDGE CAP ATTACHMENT
WOOD FRAME BUILDING

COOPERATIVE EXTENSION WORK IN AGRICULTURE AND HOME ECONOMICS DEPARTMENT OF AGRICULTURAL ENGINEERING COLLEGE OF AGRICULTURE UNIVERSITY OF KENTUCKY & U.S. DEPARTMENT OF AGRICULTURE COOPERATING	
NATURAL VENTILATION OPENINGS RECOMMENDED FOR COLD-TYPE ANIMAL BUILDINGS	
Designed By GAB GMT	Sheet 1 of 1
Checked By J.N.W.	Plan Number
Drawn By BEP	KY. 11. 6126 A
Date DEC 74	