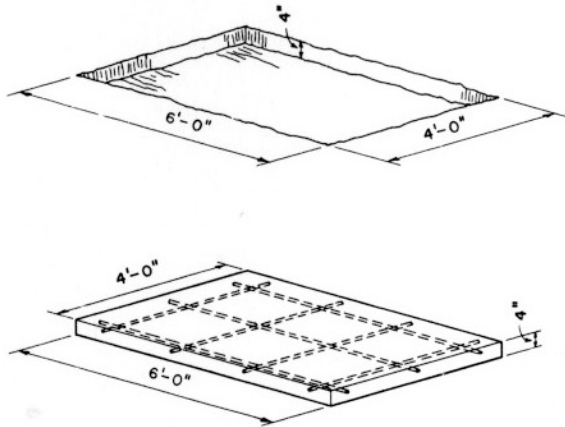


## **Important: Warranty Disclaimer for Plans**

For the convenience of our clientele, this website makes available conceptual plans that can be helpful in planning buildings, facilities, or other structures. They were developed over many years by engineers at Land Grant universities through the former USDA Cooperative Farm Buildings Plan Exchange. *Regardless of the original intent, these are older plans that provide conceptual information only, and are not to be considered or used as construction plans.*

These plans do not claim to represent the most current technology or the most recent construction techniques, standards, or codes. For example, over the years there have been changes in the National Design Specifications for Wood Construction, changes in the strengths and types of building materials, and changes in fasteners, among other things. Those changes, along with variations in climate, building codes, and other factors, make it imperative that professional services be utilized for your specific project. Suggested services include, but are not limited to, structural design, assurance of compliance with codes and regulations, site selection, construction supervision, and provision for utilities, waste management, and access. *These plans do not replace the need for competent design assistance in developing safe, legal, and well-functioning agricultural buildings and systems.*

**Neither the University of Kentucky, the Midwest Plan Service, the United States Department of Agriculture, nor any of the cooperating Land Grant universities, warranty these plans. They are for conceptual use only and are not for use as construction plans.**



REINFORCED CONCRETE SLAB

**BILL OF MATERIALS**

FOUNDATION: MIX-1:2 1/4:3  
 CEMENT 2 SACKS  
 SAND 4 2/3 CU. FT.  
 GRAVEL 7 1/2 CU. FT.  
 STEEL RODS 4 PCS. 3'-10 1/2" x 3/8" #  
 3 PCS. 5'-10 1/2" x 3/8" #

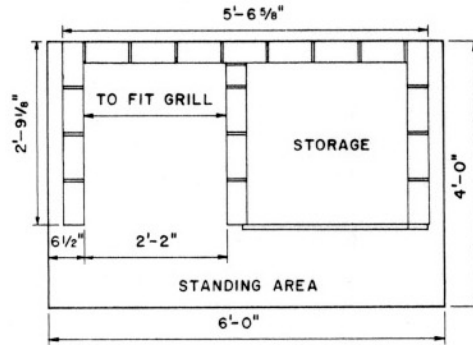
BRICK:  
 360 COMMON

MORTAR: MIX-1:3  
 CEMENT 1 SACK  
 SAND 3 CU. FT.

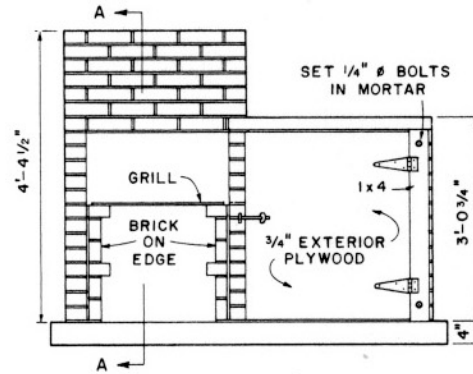
HARDWARE:  
 2 BOLTS 3 1/2" x 1/4" #  
 2 HINGES 6"  
 1 HOOK, DOOR  
 1 GRILL

LUMBER:  
 1 PC. 1x4x3'-0"  
 1 PC. 3/4" EXT. PLYWOOD 2'-6" x 2'-10"

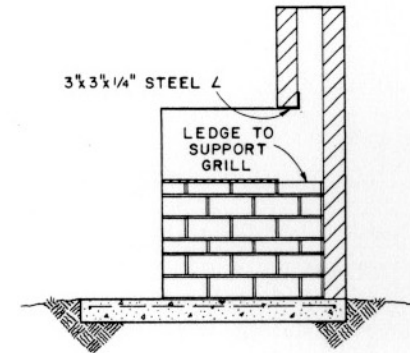
NOTE:  
 ONE 3x3x1/4x2'-8" STEEL ANGLE  
 FOR FLUE. CONSULT LOCAL BUILDING  
 CODE AUTHORITIES BEFORE STARTING  
 CONSTRUCTION.



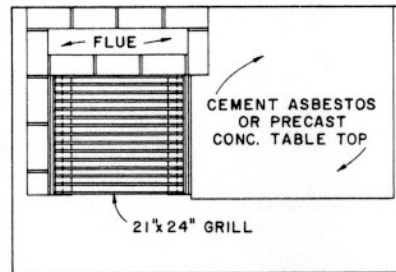
GROUND PLAN



FRONT ELEVATION



SECTION A-A



PLAN AT WORKING LEVEL



COOPERATIVE EXTENSION WORK IN  
 AGRICULTURE AND HOME ECONOMICS

AND  
 UNITED STATES DEPARTMENT OF AGRICULTURE COOPERATING

**BARBECUE PIT**

USDA '76 **6258** SHEET 1 OF 1