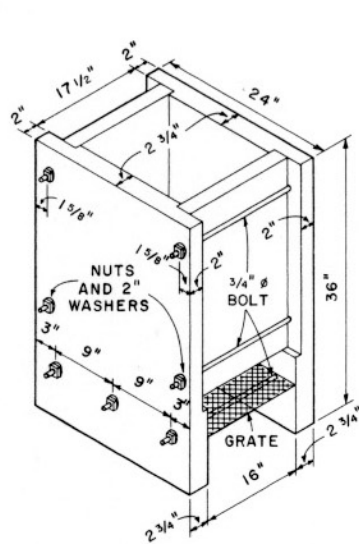


## **Important: Warranty Disclaimer for Plans**

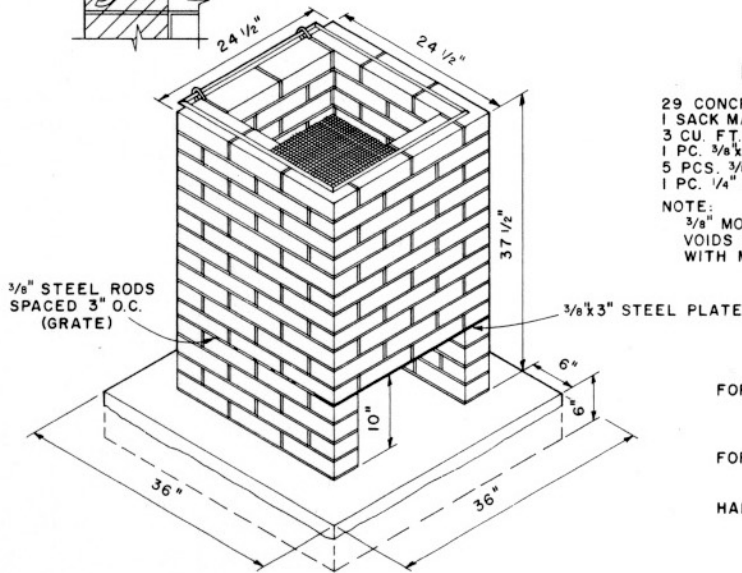
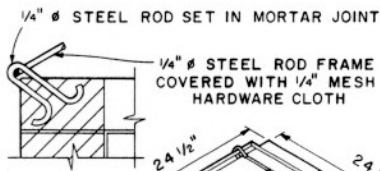
For the convenience of our clientele, this website makes available conceptual plans that can be helpful in planning buildings, facilities, or other structures. They were developed over many years by engineers at Land Grant universities through the former USDA Cooperative Farm Buildings Plan Exchange. *Regardless of the original intent, these are older plans that provide conceptual information only, and are not to be considered or used as construction plans.*

These plans do not claim to represent the most current technology or the most recent construction techniques, standards, or codes. For example, over the years there have been changes in the National Design Specifications for Wood Construction, changes in the strengths and types of building materials, and changes in fasteners, among other things. Those changes, along with variations in climate, building codes, and other factors, make it imperative that professional services be utilized for your specific project. Suggested services include, but are not limited to, structural design, assurance of compliance with codes and regulations, site selection, construction supervision, and provision for utilities, waste management, and access. *These plans do not replace the need for competent design assistance in developing safe, legal, and well-functioning agricultural buildings and systems.*

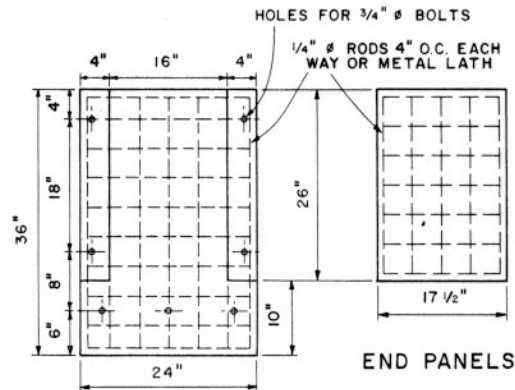
**Neither the University of Kentucky, the Midwest Plan Service, the United States Department of Agriculture, nor any of the cooperating Land Grant universities, warranty these plans. They are for conceptual use only and are not for use as construction plans.**



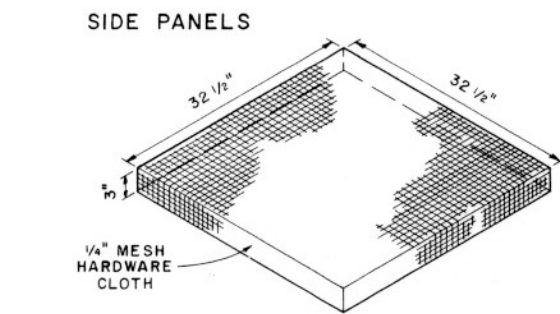
CONCRETE TRASH BURNER  
NOT TO SCALE



BRICK TRASH BURNER



END PANELS



REMOVABLE COVER

BILL OF MATERIALS

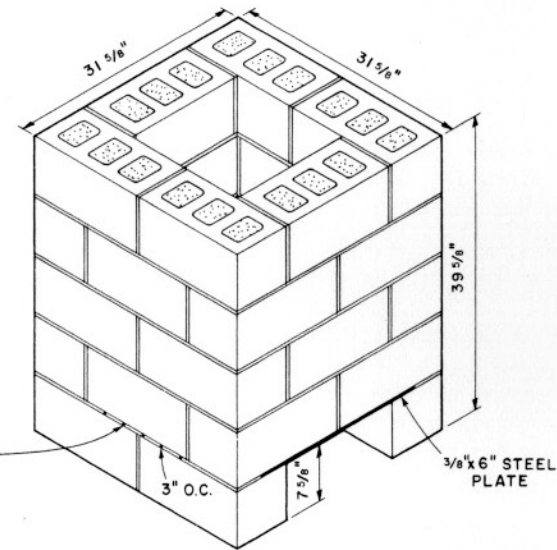
- 29 CONCRETE BLOCKS 7 5/8" x 7 5/8" x 15 5/8"
- 1 SACK MASONRY CEMENT
- 3 CU. FT. SAND
- 1 PC. 3/8" x 6" x 24" STEEL PLATE
- 5 PCS. 3/8"  $\phi$  STEEL RODS 31 5/8" LG. (GRATE)
- 1 PC. 1/4" MESH HARDWARE CLOTH 39" SQUARE

NOTE:  
3/8" MORTAR JOINTS.  
VOIDS IN TOP COURSE OF BLOCK TO BE FILLED WITH MORTAR.

BILL OF MATERIALS

- CONCRETE: 1:2:3 MIX
- 1 SACK OF CEMENT
- 2 CU. FT. OF SAND
- 3 CU. FT. OF GRAVEL
- REINFORCEMENT STEEL: 14 - 1/4" RODS 34" LG.
- 10 - 1/4" RODS 24" LG.
- 20 - 1/4" RODS 22" LG.
- 14 - 1/4" RODS 15 1/2" LG.
- 7 - 3/4"  $\phi$  22 1/2" LG. (WITH NUTS & 2" WASHERS)
- GRATE: 1 - PIECE OF EXPANDED METAL 16" x 24"

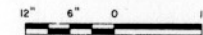
NOTE:  
THE CONCRETE SHOULD BE MIXED: 1 PART PORTLAND CEMENT, 2 PARTS SAND AND 3 PARTS GRAVEL. IF THE GRAVEL IS OF SUCH A CHARACTER AS TO BE DISINTEGRATED BY HEAT, IT WILL BE BEST TO USE BROKEN BRICK OR TERRA COTTA IN PARTICLES FROM 1/4" TO 1/2" IN SIZE.  
AFTER THE SLABS HAVE BEEN MADE THEY SHOULD BE COVERED, AS SOON AS THERE IS NO DANGER OF MARRING THEM, WITH MOIST STRAW, SACKS, OR EARTH AND LEFT FOR 2 TO 3 WEEKS TO THOROUGHLY AND SLOWLY HARDEN.



BLOCK TRASH BURNER

BILL OF MATERIALS

- FOR BASE: 1 SACK PORTLAND CEMENT
- 2 CU. FT. SAND
- 3 CU. FT. GRAVEL
- 6 GALLONS WATER
- FOR TRASH BURNER: 150 COMMON RED BRICK (NEW OR USED)
- 1 SACK MASONRY CEMENT
- 3 CU. FT. SAND
- 1 PC. 3/8" x 3" STEEL PLATE 24" LG.
- 5 PCS. 3/8"  $\phi$  STEEL ROD 24" LG. (GRATE)
- 1 PC. 1/4"  $\phi$  STEEL ROD 9' LG.
- 1 PC. 1/4" MESH HARDWARE CLOTH 24" SQUARE



COOPERATIVE EXTENSION WORK IN  
AGRICULTURE AND HOME ECONOMICS

AND  
UNITED STATES DEPARTMENT OF AGRICULTURE COOPERATING

TRASH BURNERS  
3 TYPES

USDA '76 6260 SHEET 1 OF 1  
TEXAS