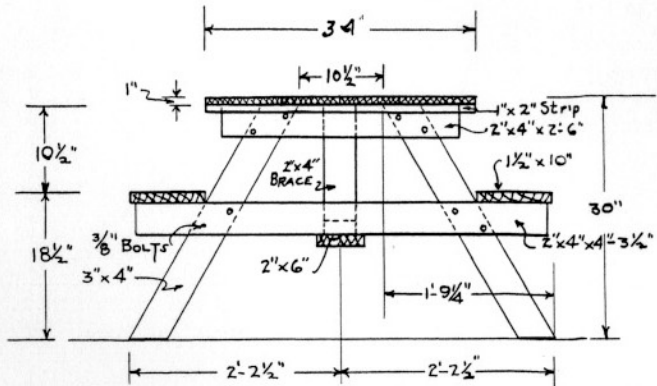


## **Important: Warranty Disclaimer for Plans**

For the convenience of our clientele, this website makes available conceptual plans that can be helpful in planning buildings, facilities, or other structures. They were developed over many years by engineers at Land Grant universities through the former USDA Cooperative Farm Buildings Plan Exchange. *Regardless of the original intent, these are older plans that provide conceptual information only, and are not to be considered or used as construction plans.*

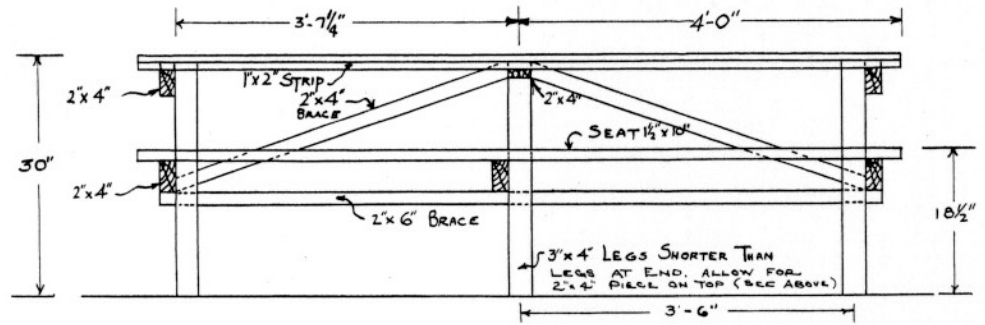
These plans do not claim to represent the most current technology or the most recent construction techniques, standards, or codes. For example, over the years there have been changes in the National Design Specifications for Wood Construction, changes in the strengths and types of building materials, and changes in fasteners, among other things. Those changes, along with variations in climate, building codes, and other factors, make it imperative that professional services be utilized for your specific project. Suggested services include, but are not limited to, structural design, assurance of compliance with codes and regulations, site selection, construction supervision, and provision for utilities, waste management, and access. *These plans do not replace the need for competent design assistance in developing safe, legal, and well-functioning agricultural buildings and systems.*

**Neither the University of Kentucky, the Midwest Plan Service, the United States Department of Agriculture, nor any of the cooperating Land Grant universities, warranty these plans. They are for conceptual use only and are not for use as construction plans.**

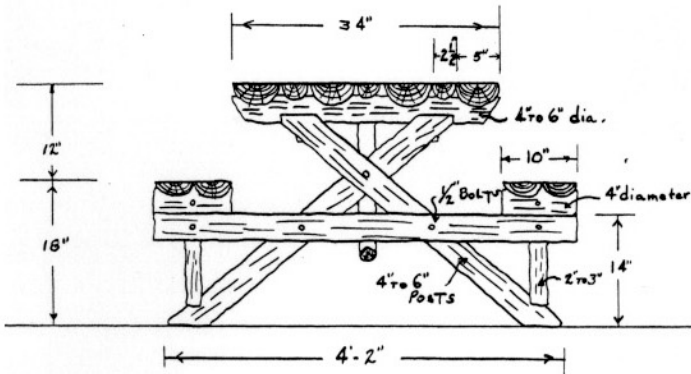


END VIEW  
Scale 1" = 1'-0"

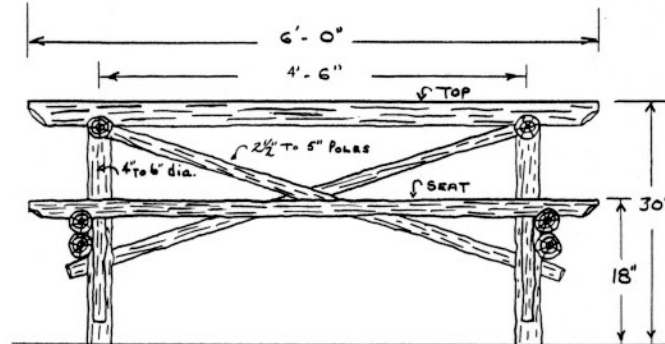
NOTE: TABLE CAN BE PUT TOGETHER WITH  $\frac{3}{8}$ " BOLTS SO THAT IT CAN BE TAKEN APART AND STORED. TOP SHOULD BE IN ONE PIECE AND CLEATED WITH 1" x 4" CLEATS. USE SCREWS FROM UNDER SIDE OF TOP THRU CLEATS.



SIDE VIEW  
Scale 1" = 1'-0"



END VIEW  
Scale 1" = 1'-0"



SIDE VIEW  
Scale 1 1/2" = 1'-0"

COOPERATIVE EXTENSION WORK IN  
AGRICULTURE AND HOME ECONOMICS  
DIVISION OF AGRICULTURAL ENGINEERING  
COLLEGE OF AGRICULTURE  
UNIVERSITY OF KENTUCKY AT LEXINGTON  
AND  
U.S. DEPT. OF AGRIC. COOPERATING

PICNIC TABLES

DRAWN BY: J.B.B. MARCH 14, 1940  
CHECKED BY: APPROVED BY:  
TRACED BY: DATE:

Ky. 11-712-18