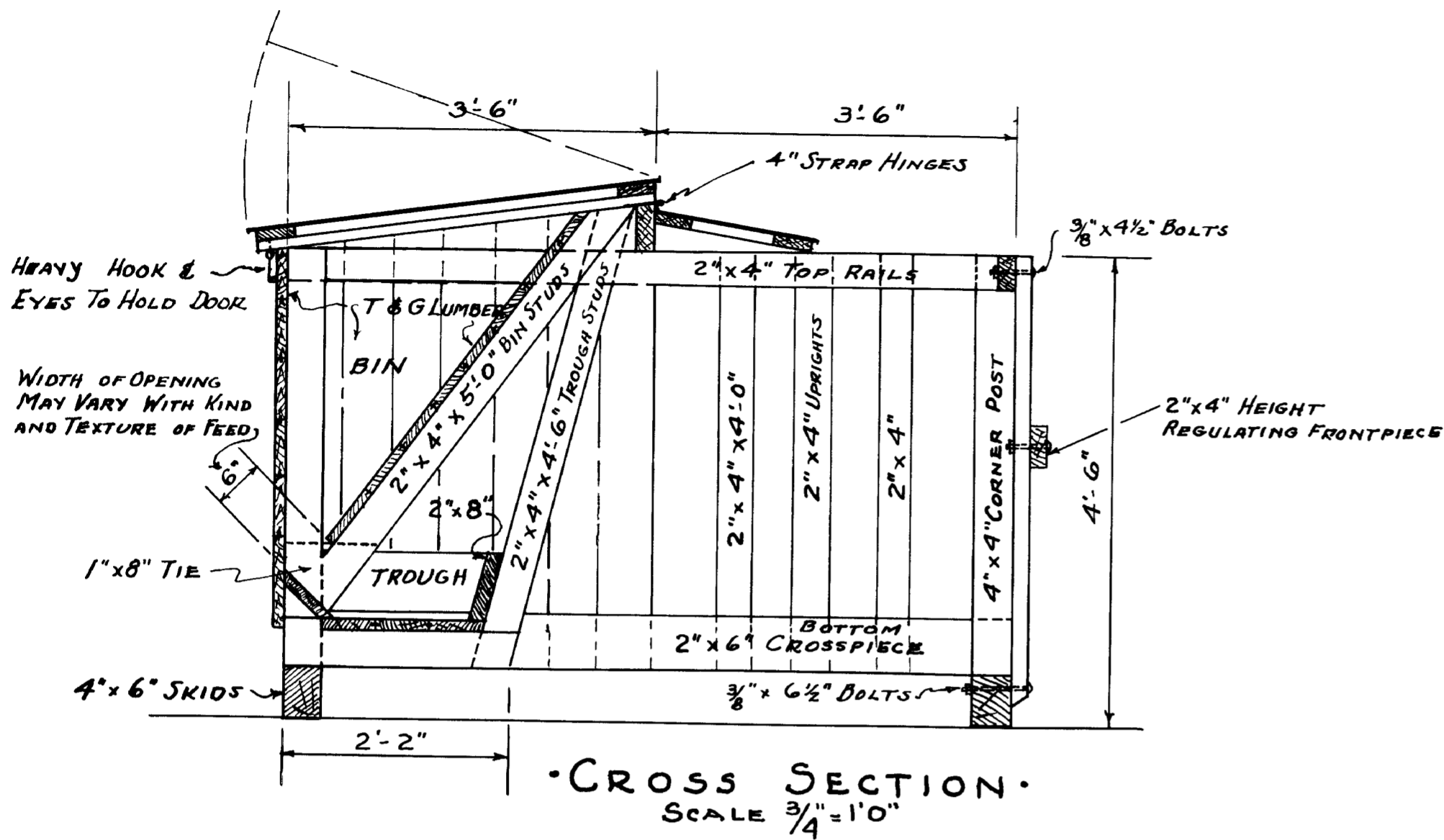


Important: Warranty Disclaimer for Plans

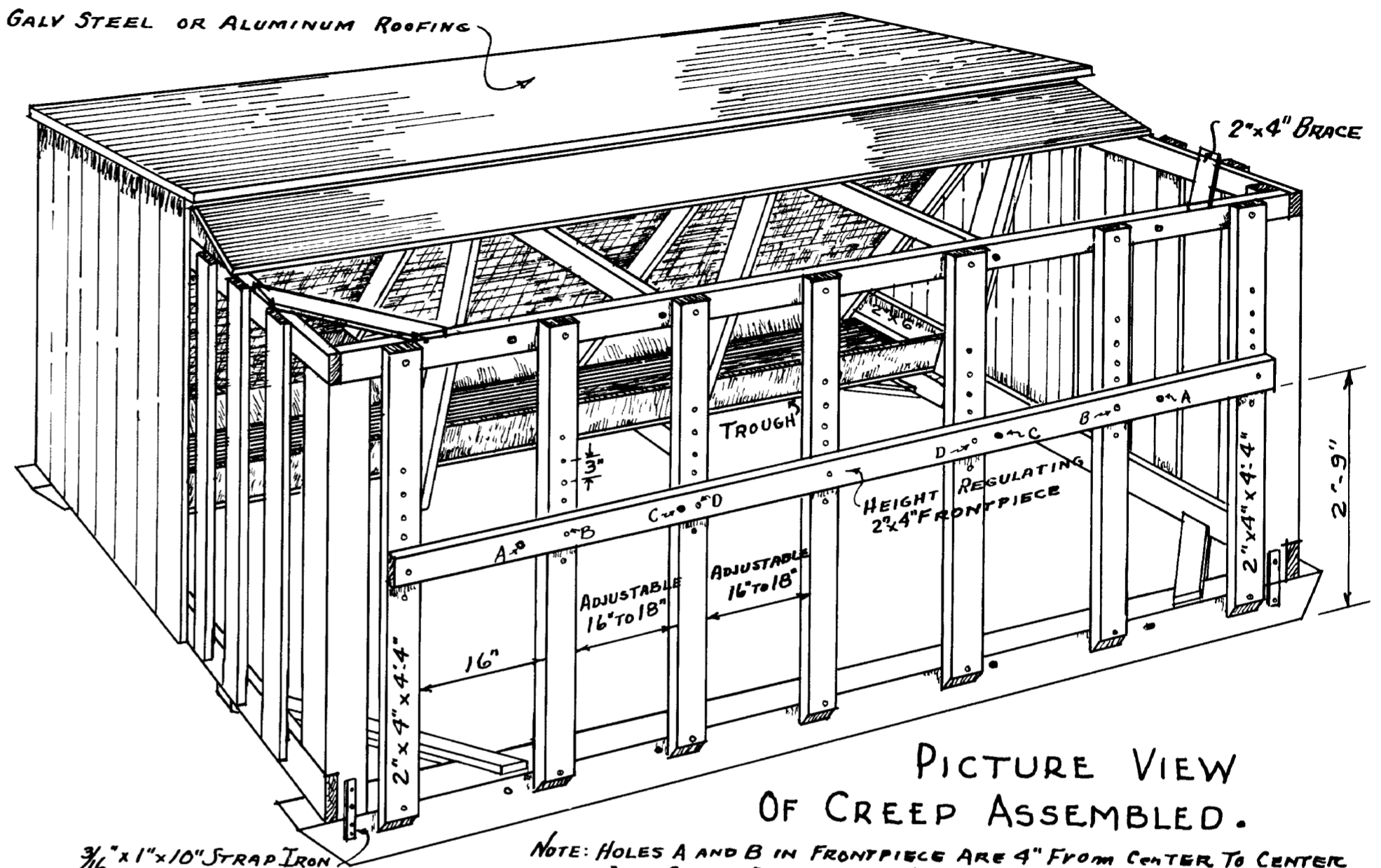
For the convenience of our clientele, this website makes available conceptual plans that can be helpful in planning buildings, facilities, or other structures. They were developed over many years by engineers at Land Grant universities through the former USDA Cooperative Farm Buildings Plan Exchange. *Regardless of the original intent, these are older plans that provide conceptual information only, and are not to be considered or used as construction plans.*

These plans do not claim to represent the most current technology or the most recent construction techniques, standards, or codes. For example, over the years there have been changes in the National Design Specifications for Wood Construction, changes in the strengths and types of building materials, and changes in fasteners, among other things. Those changes, along with variations in climate, building codes, and other factors, make it imperative that professional services be utilized for your specific project. Suggested services include, but are not limited to, structural design, assurance of compliance with codes and regulations, site selection, construction supervision, and provision for utilities, waste management, and access. *These plans do not replace the need for competent design assistance in developing safe, legal, and well-functioning agricultural buildings and systems.*

Neither the University of Kentucky, the Midwest Plan Service, the United States Department of Agriculture, nor any of the cooperating Land Grant universities, warranty these plans. They are for conceptual use only and are not for use as construction plans.



GALV STEEL OR ALUMINUM ROOFING



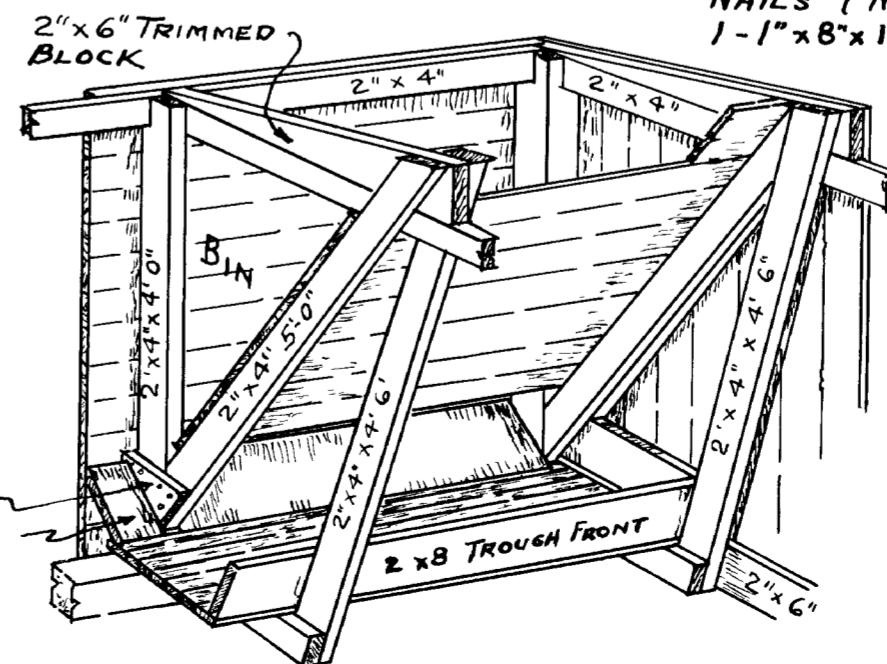
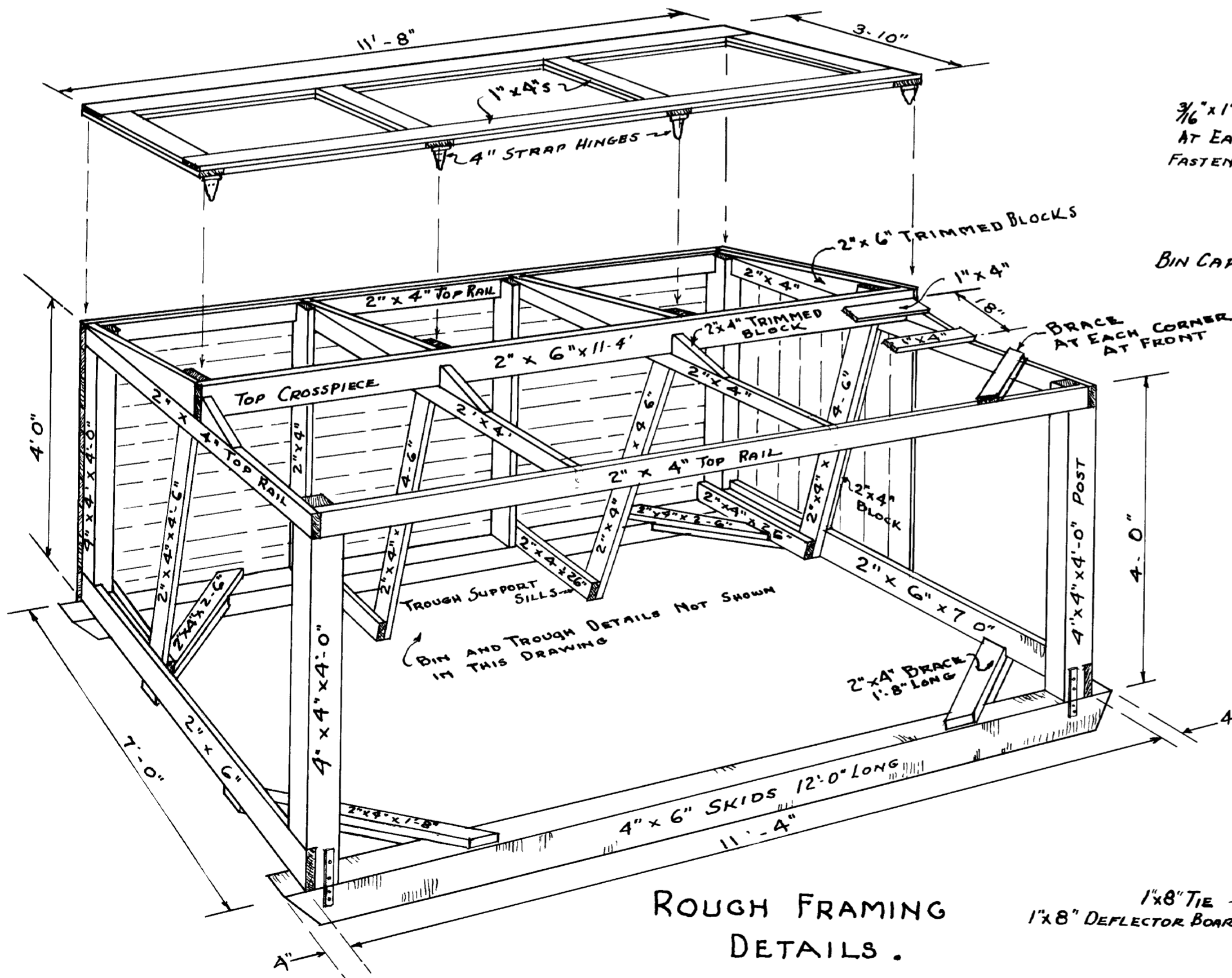
$\frac{3}{16}$ " x 1" x 10" STRAP IRON AT EACH CORNER FASTEN WITH 3" LAG SCREWS

NOTE: HOLES A AND B IN FRONTPIECE ARE 4" FROM CENTER TO CENTER AND C AND D ARE 2" HOLES IN SKID AND TOP RAIL TO MATCH

LIST OF MATERIALS

- 2- 4" x 6" x 12'-0" SKIDS
- 2- 2" x 6" x 10'-0" BOTTOM CROSSPIECES AND TROUGH ENDS
- 4- 4" x 4" x 4'-0" CORNER POSTS
- 2- 2" x 4" x 14'-0" TOP RAILS AND TRIMMED BLOCKS
- 4- 2" x 4" x 7'-0" TOP RAILS
- 13- 2" x 4" x 4'-4" UPRIGHTS FOR FRONT AND SIDES
- 6- 2" x 4" x 5'-0" BIN STUDS AND BLOCKS AT ENDS
- 6- 2" x 4" x 4'-6" TROUGH STUDS AND BLOCKS AT ENDS
- 6- 2" x 4" x 2'-3" TROUGH SUPPORT SILLS
- 1- 2" x 6" x 12'-0" TOP CROSSPIECE
- 1- 2" x 6" x 14'-0" TRIMMED BLOCKS AT TOP
- 1- 2" x 4" x 12'-0" HEIGHT REGULATING FRONTPIECE
- 5- 1" x 4" x 12'-0" FOR HINGED TOP FRAME
- 2- 1" x 4" x 12'-0" FRONT TOP FRAME
- 2- 2" x 4" x 12'-0" BRACING
- 1- 2" x 8" x 12'-0" TROUGH FRONTPIECE
- 28- 1" x 6" x 12'-0" TONGUE GROOVED BOARDS
- 2 SHEETS 12'-0" GALV STEEL OR ALUMINUM ROOFING
- 1 SHEET 20" x 12'-0" "
- 4 4" STRAP HINGES FOR TOP WITH SCREWS
- 14 $\frac{3}{8}$ " x 4 1/2" BOLTS FOR ADJUSTABLE UPRIGHTS
- 7 $\frac{3}{8}$ " x 6 1/2" " "
- 4 pc $\frac{3}{16}$ " x 1" x 10" STRAP IRON 16 3" LAG SCREWS
- NAILS (NOT ITEMIZED)
- 1- 1" x 8" x 12'-0" DEFLECTOR BOARD
- 3 PAIRS OF SETS OF HEAVY HOOK & EYES FOR DOOR

BIN CAPACITY. APPROX 40 BUSHELS



COOPERATIVE EXTENSION WORK IN AGRICULTURE & HOME ECONOMICS
DIVISION OF AGRICULTURAL ENGINEERING
UNIVERSITY OF KENTUCKY, LEXINGTON
AND
U.S. DEPT. OF AGRICULTURE COOPERATING

CALF CREEP

Designed by R. Tobb, W.P. Garrigus, J.B. Brooks
Drawn by J.B.B. - 10/20/54 Approved by J.B. Kelley
SHEET 1 OF 1 SHEETS. FILE NO. K11.772-32