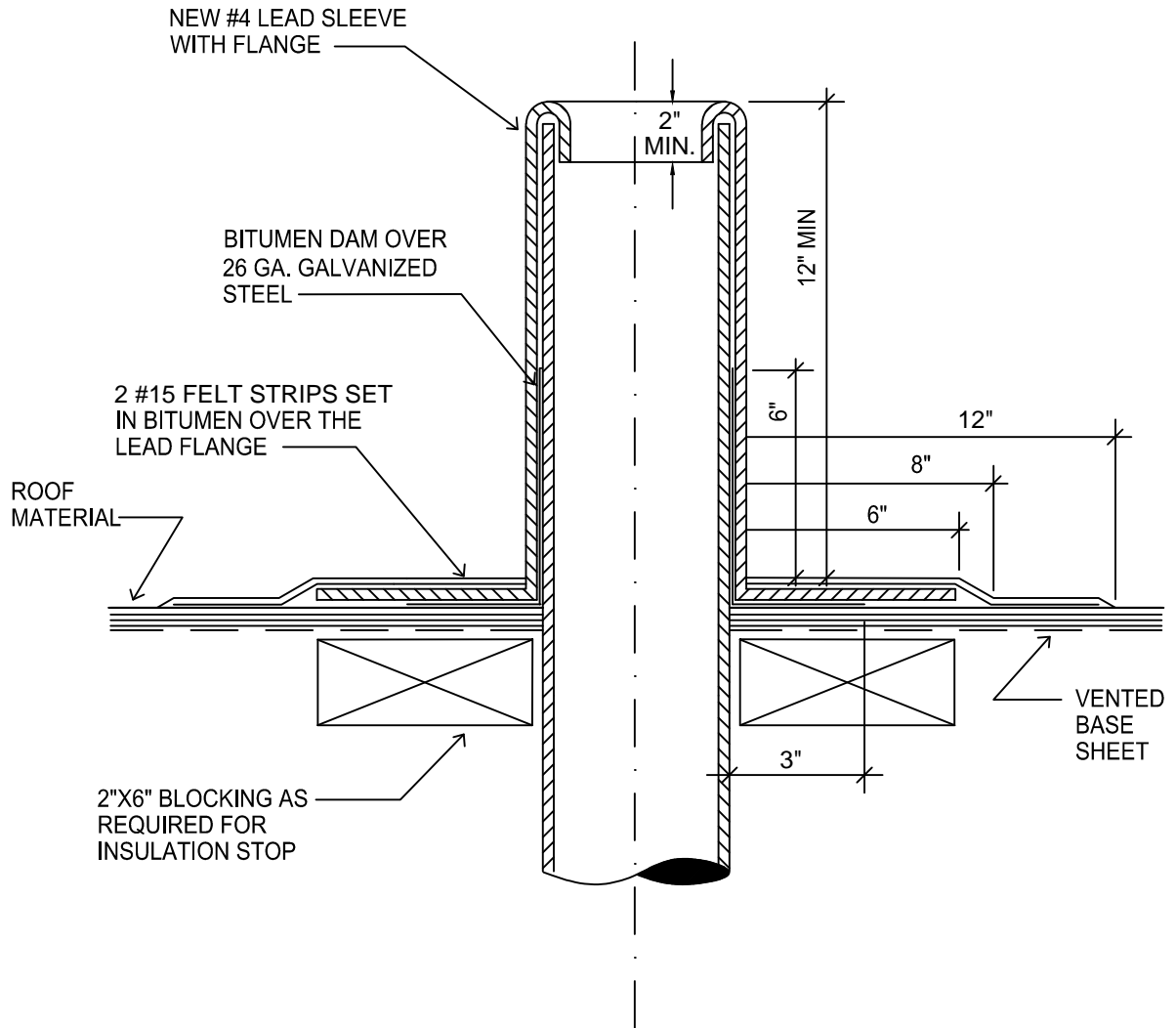


# 223000D01 PLUMBING EQUIPMENT Vent Thru Roof



NTS



## UNIVERSITY OF KENTUCKY DESIGN & CONSTRUCTION STANDARDS

DRAWN BY <u>MA</u>		REVISION DATE	TITLE : PLUMBING VENT	DRAWING NO.  223000D01
APP. BY <u>MA</u>	<u>GSB</u>	<u>11/6/89</u>		
DATE <u>5/6/86</u>	<u>RLM</u>	<u>11/26/90</u>		