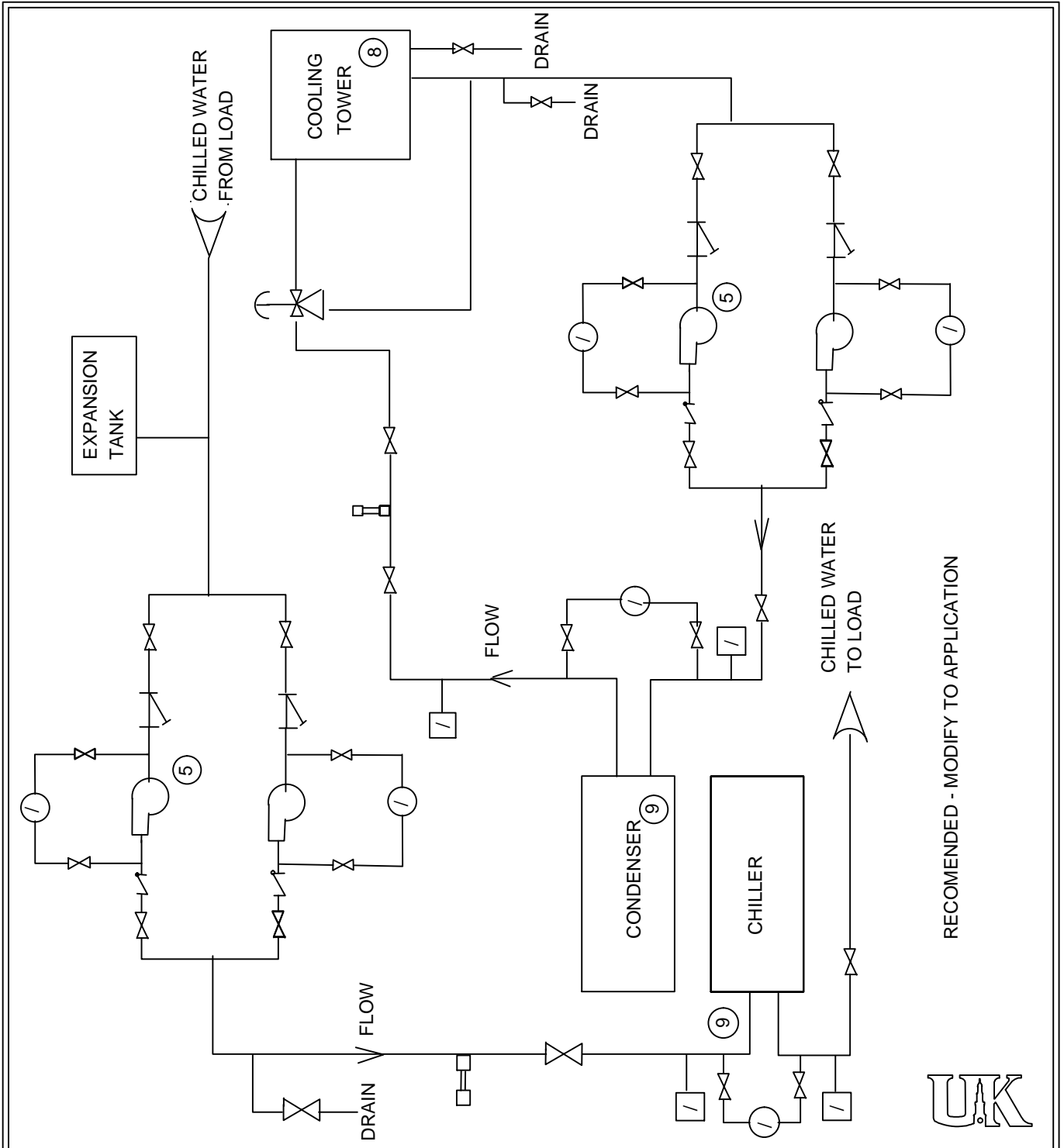


236300D01 REFRIGERANT CONDENSERS - DETAIL



RECOMENDED - MODIFY TO APPLICATION



UNIVERSITY OF KENTUCKY DESIGN & CONSTRUCTION STANDARDS

DRAWN BY _____ APP. BY _____ DATE _____	REVISION DATE _____ JLJ 4/25/90 _____ _____	TITLE : CHILLED / CONDENSER WATER PIPING SCHEMATIC	DRAWING NO. 236300D01 _____
---	--	---	---------------------------------------