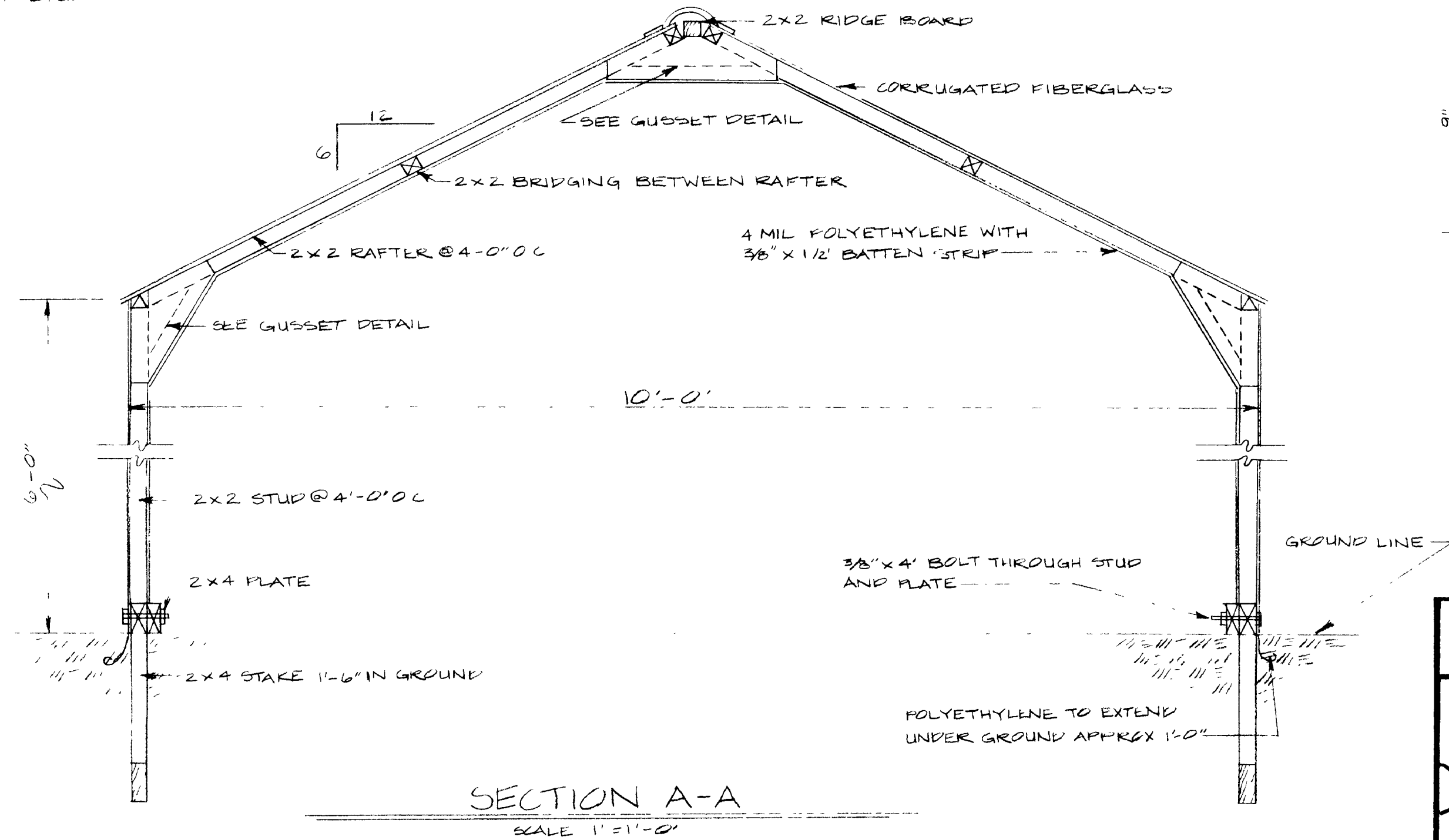
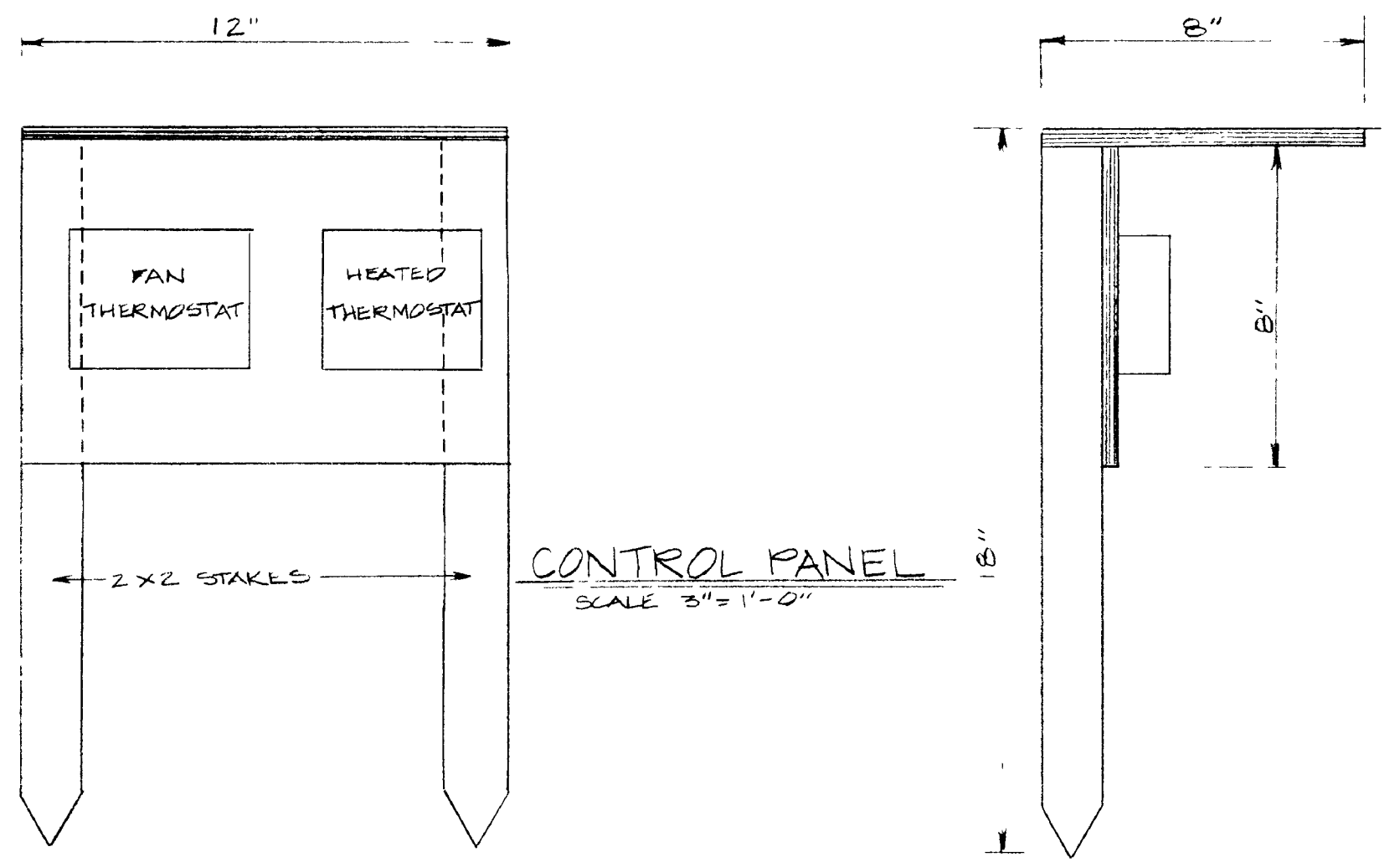


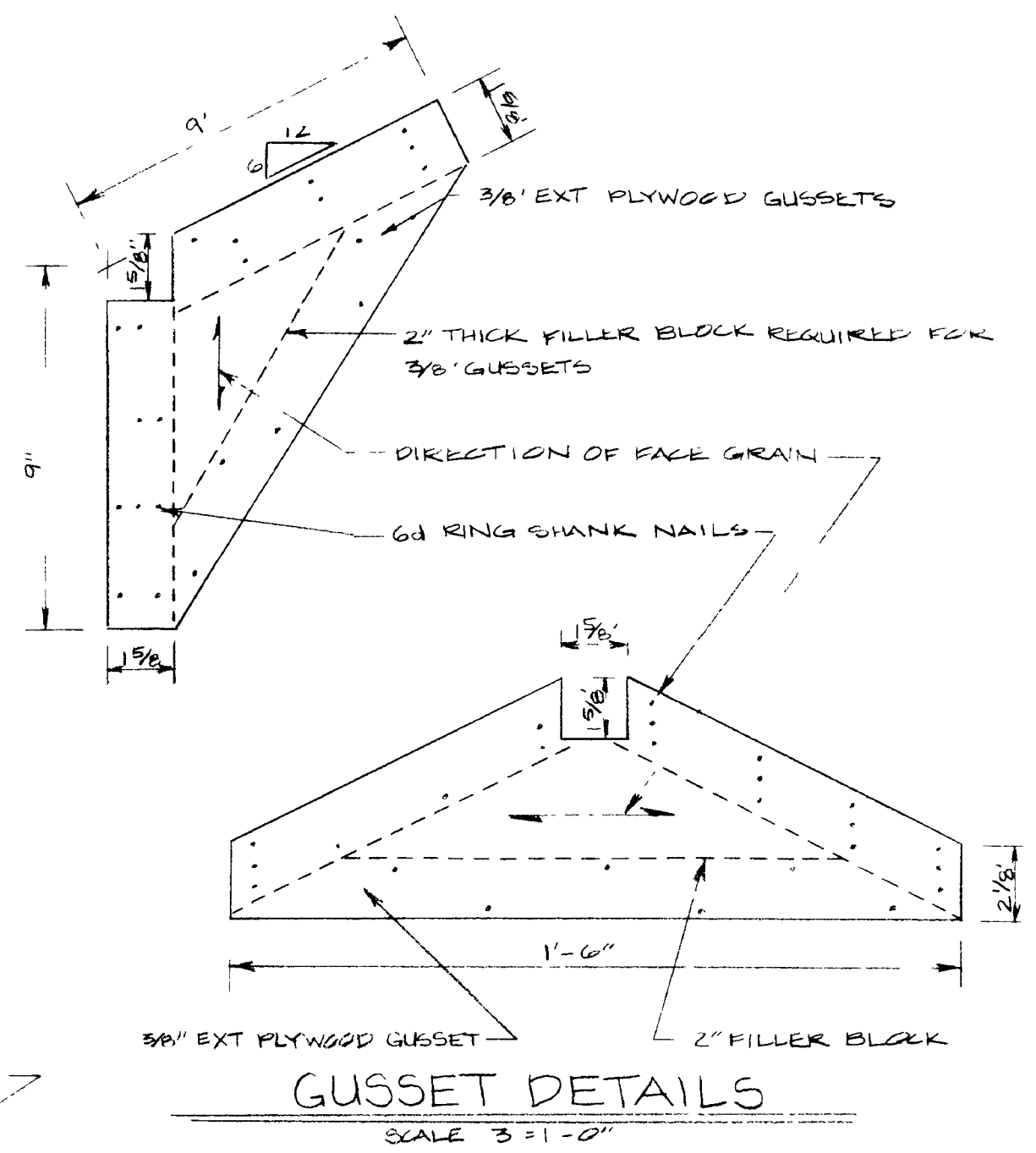
FLOOR PLAN
SCALE 3/8" = 1'-0"

NOTE.
LUMBER SHOULD BE SELECTED WHICH IS FREE OF KNOTS OR OTHER DEFECTS. MINOR DEFECTS SHOULD BE LOCATED IN UPPER 2/3 OF RAFTER OR LOWER 1/2 OF STUD.

NOTE
ALL LUMBER IN CONTACT WITH GROUND TO BE DIPPED 24 HOURS IN A WATER-BORNE SALT-TYPE PRESERVATIVE

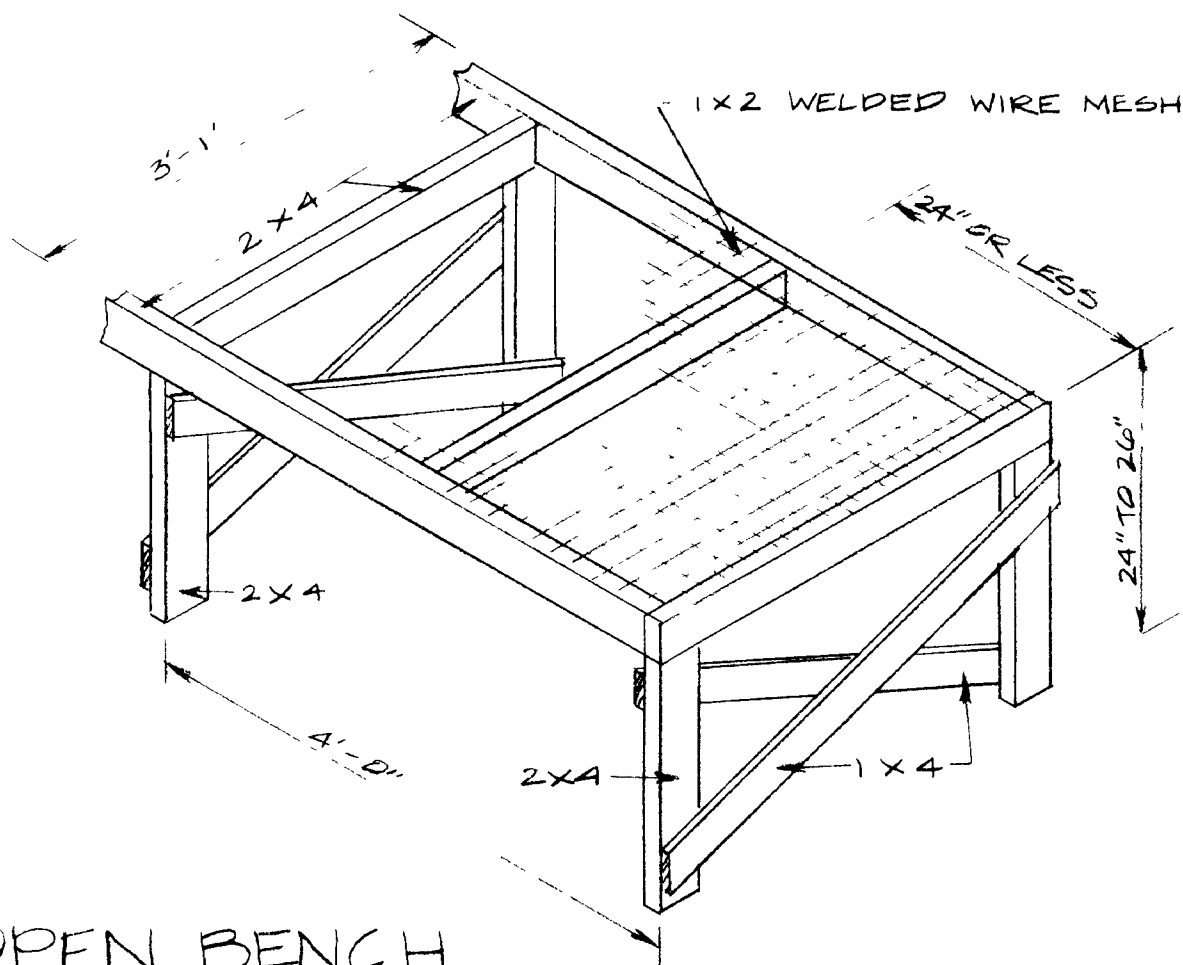


SECTION A-A
SCALE 1" = 1'-0"

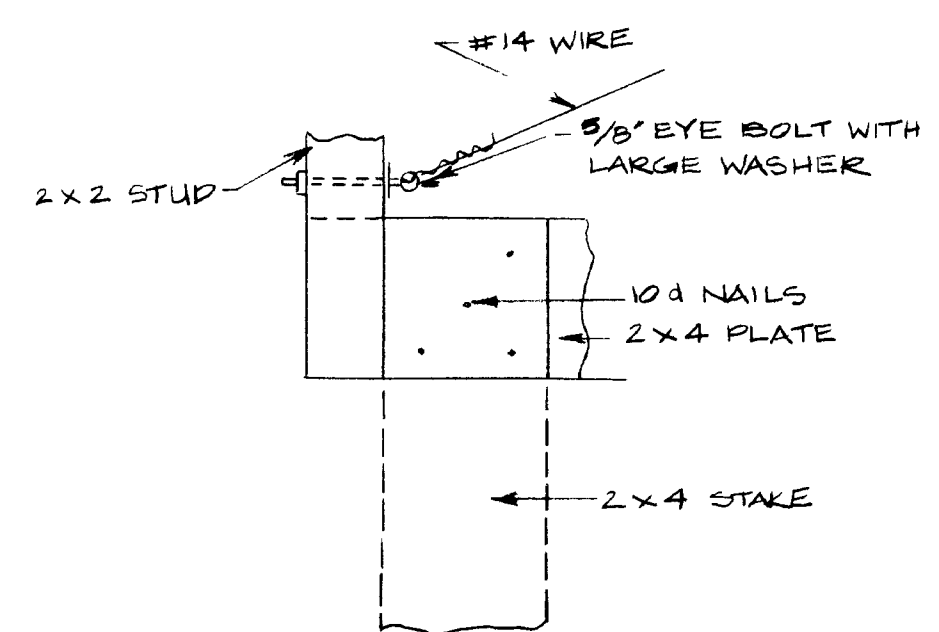


GUSSET DETAILS
SCALE 3" = 1'-0"

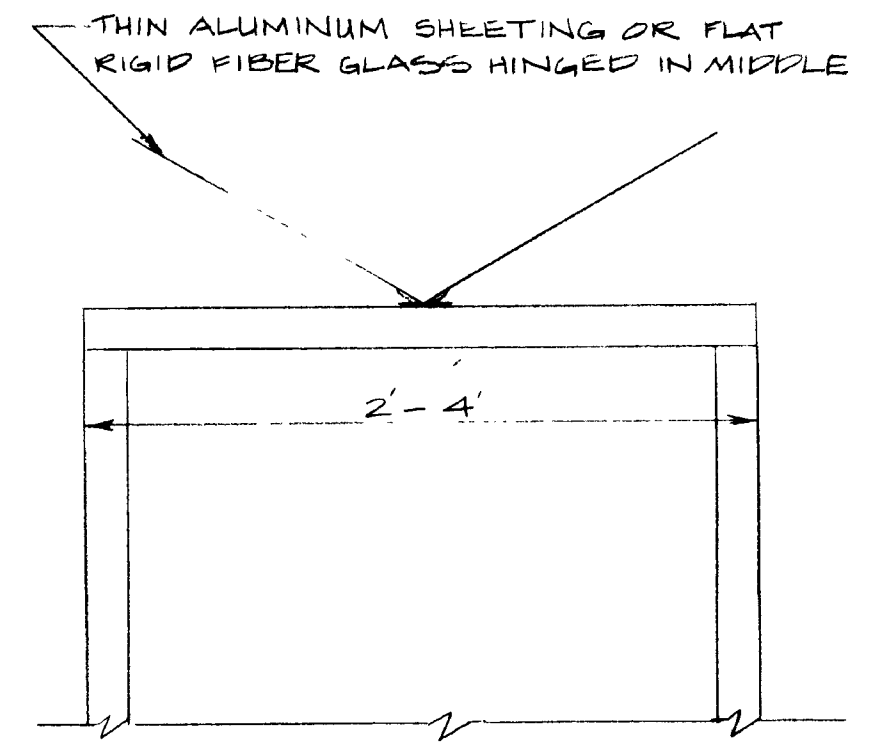
KENTUCKY HOBBY GREENHOUSE	
COOPERATIVE EXTENSION SERVICE AGRICULTURE AND HOME ECONOMICS DEPARTMENT OF AGRICULTURAL ENGINEERING COLLEGE OF AGRICULTURE UNIVERSITY OF KENTUCKY AND U.S. DEPARTMENT OF AGRICULTURE COOPERATING	
DESIGNED BY J. H. WALKER CHECKED BY DRAWN BY S. ELLIOTT DATE MAY 1968 REVISIONS AUG 1983	SHEET 1 OF 3 PLAN NUMBER KY. 11-771-8



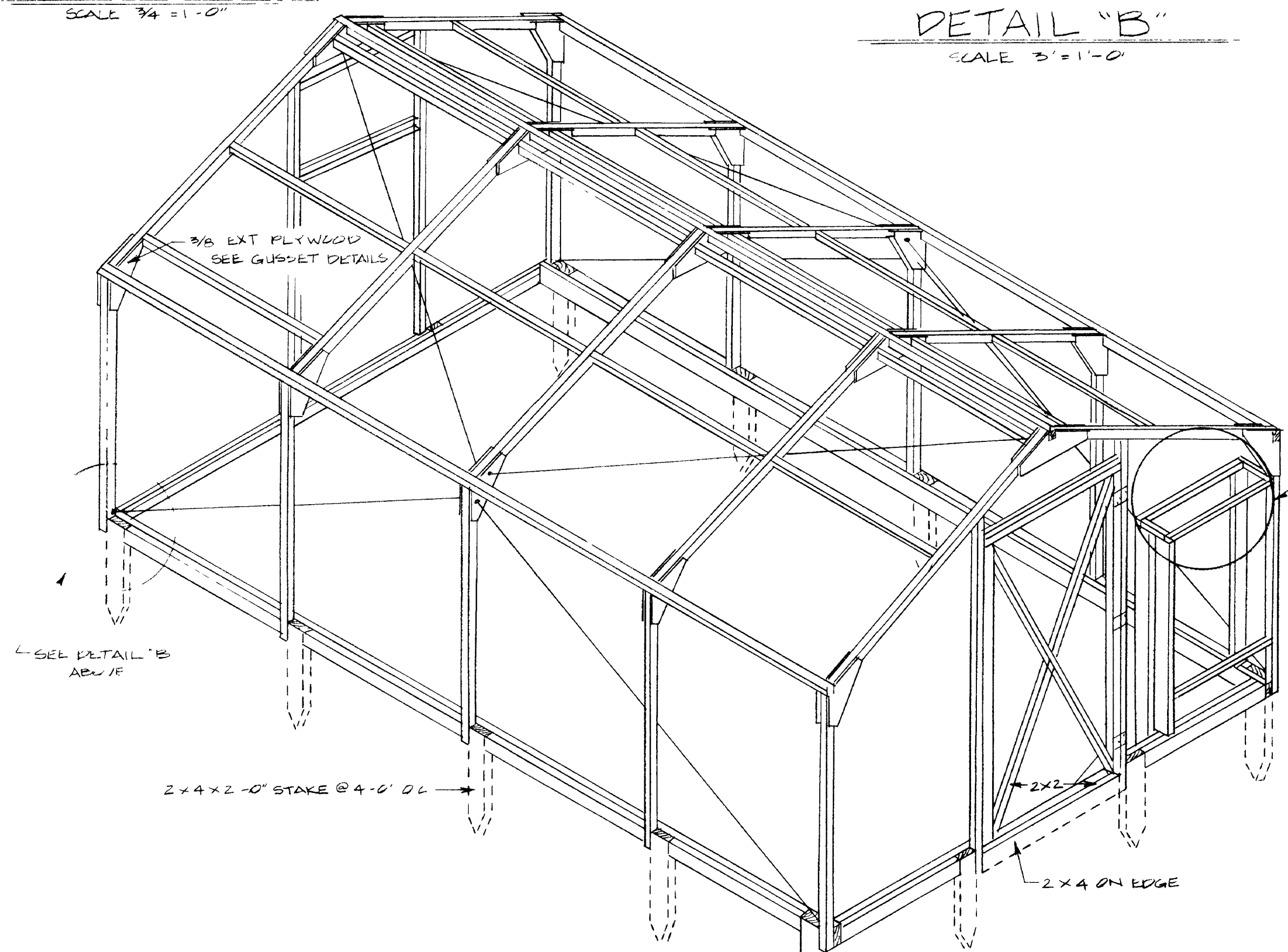
OPEN BENCH
SCALE 3/4" = 1'-0"



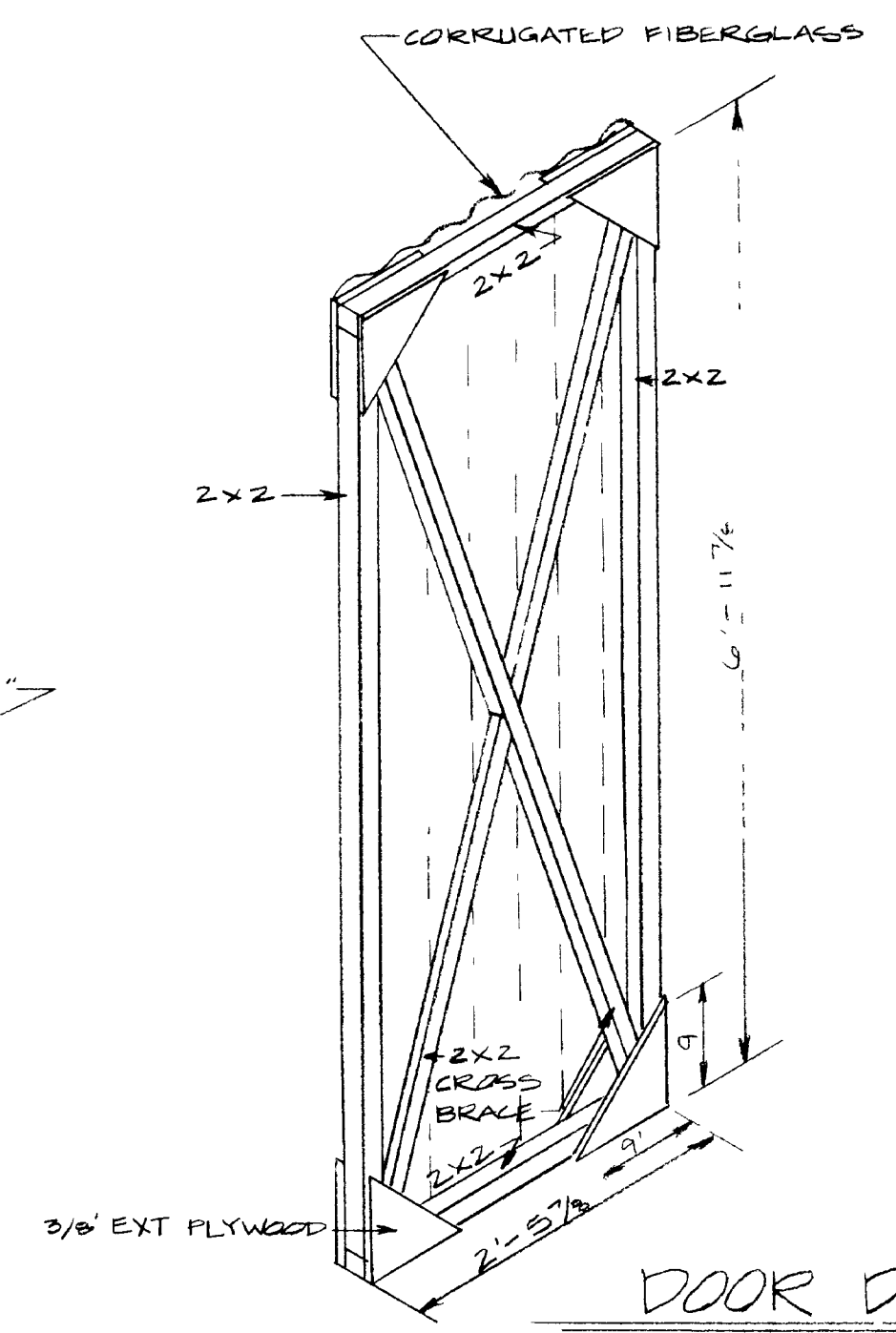
DETAIL "B"
SCALE 3" = 1'-0"



DETAIL "C"
SCALE 1/2" = 1'-0"

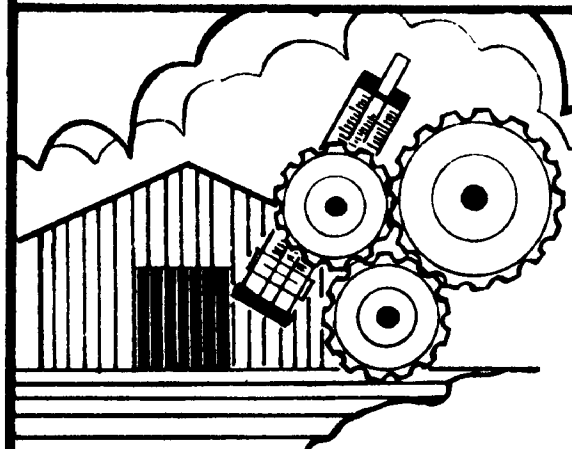


ISOMETRIC VIEW



DOOR DETAIL
SCALE 3/4" = 1'-0"

KENTUCKY HOBBY GREENHOUSE	
COOPERATIVE EXTENSION SERVICE AGRICULTURE AND HOME ECONOMICS DEPARTMENT OF AGRICULTURAL ENGINEERING COLLEGE OF AGRICULTURE UNIVERSITY OF KENTUCKY AND U.S. DEPARTMENT OF AGRICULTURE COOPERATING	
DESIGNED BY J. N. WALKER	SHEET 2 OF 3
CHECKED BY E. ELLIOTT	PLAN NUMBER
DATE MAY 1968	KY. II. 771-8
REVISIONS AUG 1985	



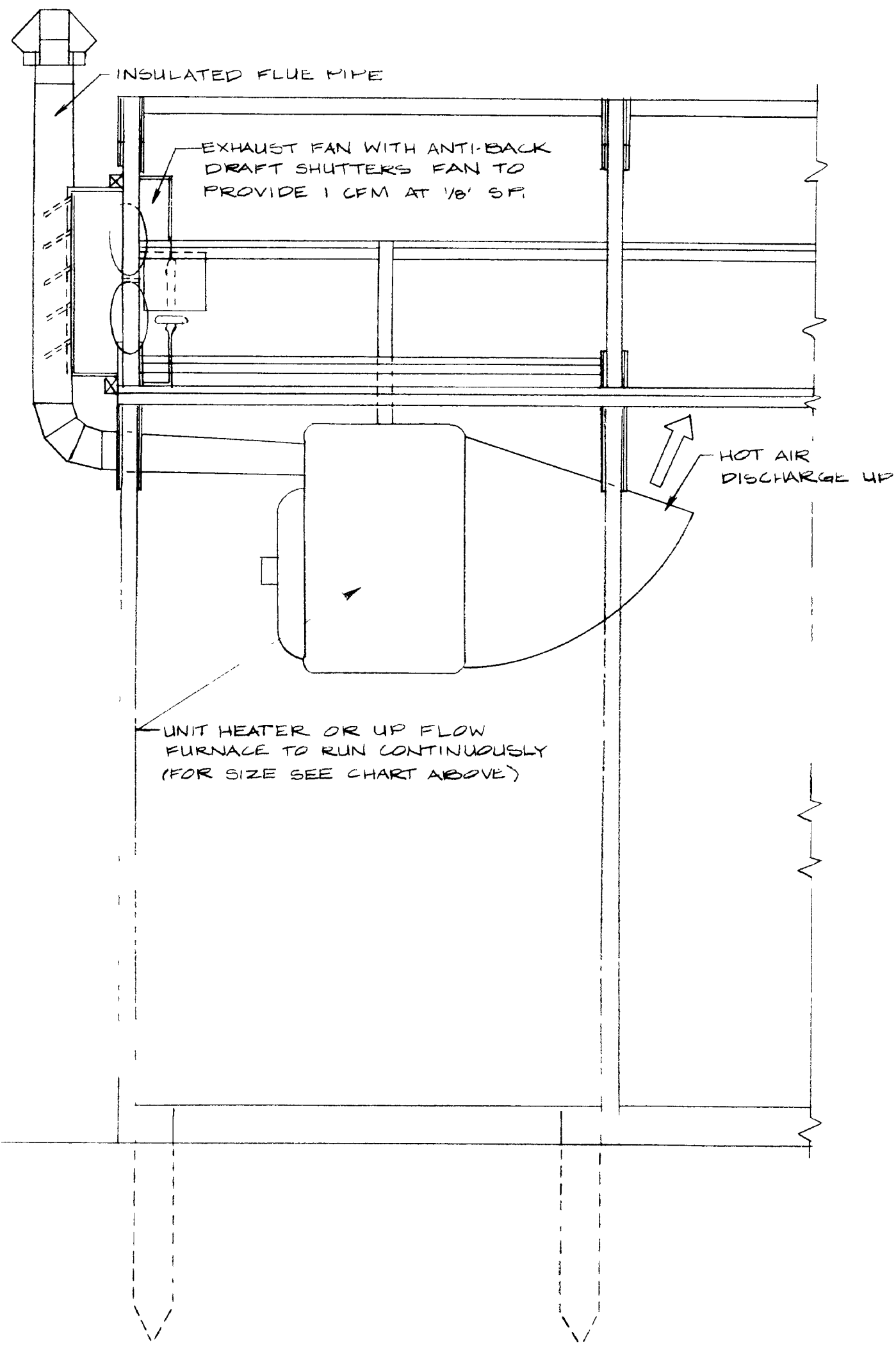
HEATER SIZE BASED ON INSIDE TEMPERATURE OF 60°
W/2 LAYERS OF PLASTIC W/SINGLE LAYER ONLY

GREENHOUSE 10 x 12' = 17,682 BTU/HR	28,000 BTU/HR
GREENHOUSE 10' x 16' = 21,546 BTU/HR	32,000 BTU/HR
GREENHOUSE 10 x 20' = 25,830 BTU/HR	39,000 BTU/HR

EXHAUST FAN SIZE

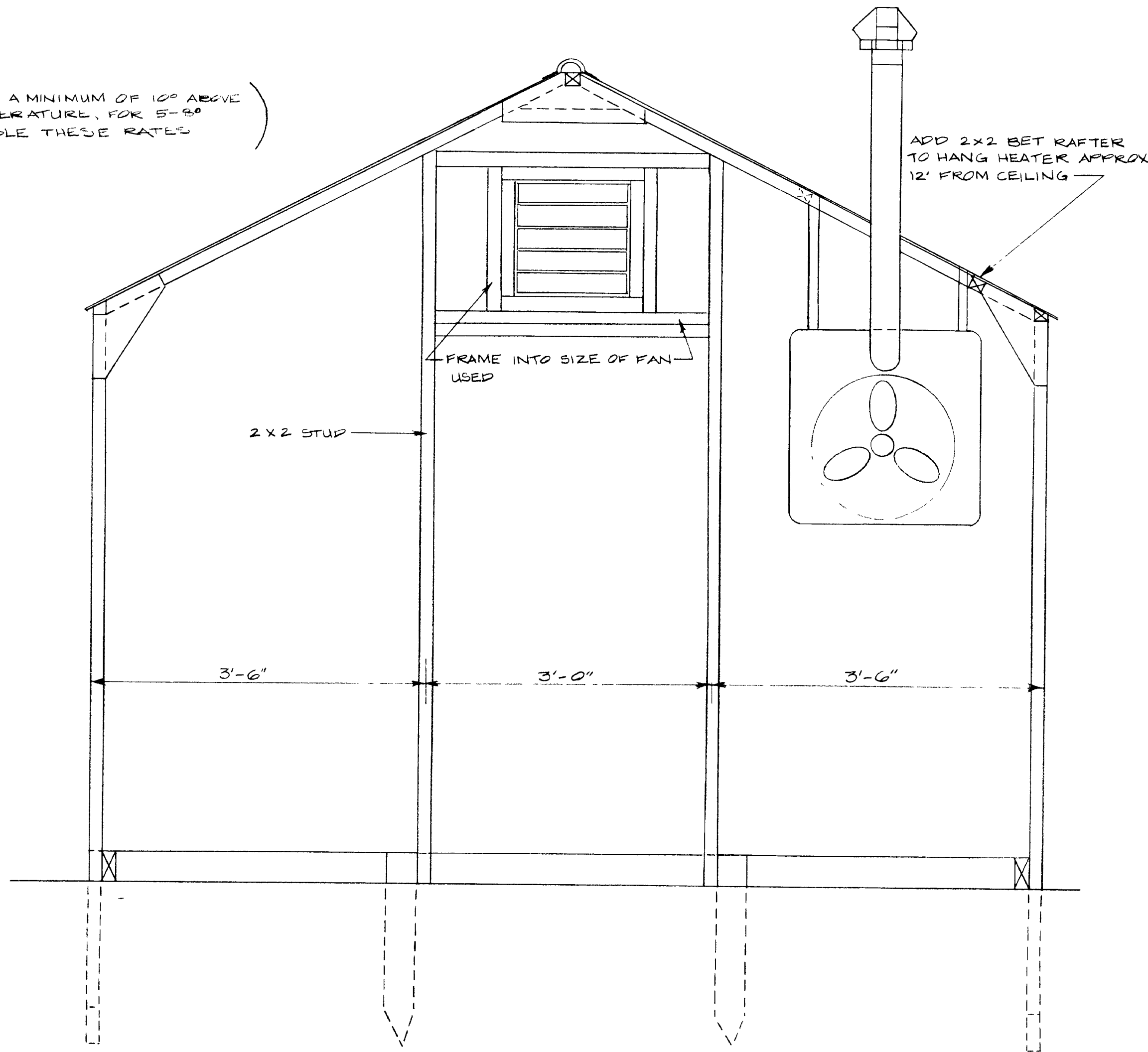
GREENHOUSE 10 x 12' = 870 CFM @ 1/8" SP
GREENHOUSE 10 x 16' = 1160 CFM @ 1/8" SP
GREENHOUSE 10 x 20' = 1450 CFM @ 1/8" SP

(FOR HOLDING INSIDE A MINIMUM OF 10° ABOVE THE OUTSIDE TEMPERATURE, FOR 5-8° DIFFERENCE DOUBLE THESE RATES)



SIDE ELEVATION

SCALE 1" = 1'-0"



END ELEVATION

SCALE 1" = 1'-0"

<h2>KENTUCKY HOBBY GREENHOUSE</h2>	
COOPERATIVE EXTENSION SERVICE AGRICULTURE AND HOME ECONOMICS DEPARTMENT OF AGRICULTURAL ENGINEERING COLLEGE OF AGRICULTURE UNIVERSITY OF KENTUCKY AND U S DEPARTMENT OF AGRICULTURE COOPERATING	
DESIGNED BY J. N. WALKER CHECKED BY DRAWN BY S. ELLIOTT DATE MAY, 1968 REVISIONS AUG, 1985	SHEET 3 OF 3 PLAN NUMBER KY. II. 771-8

