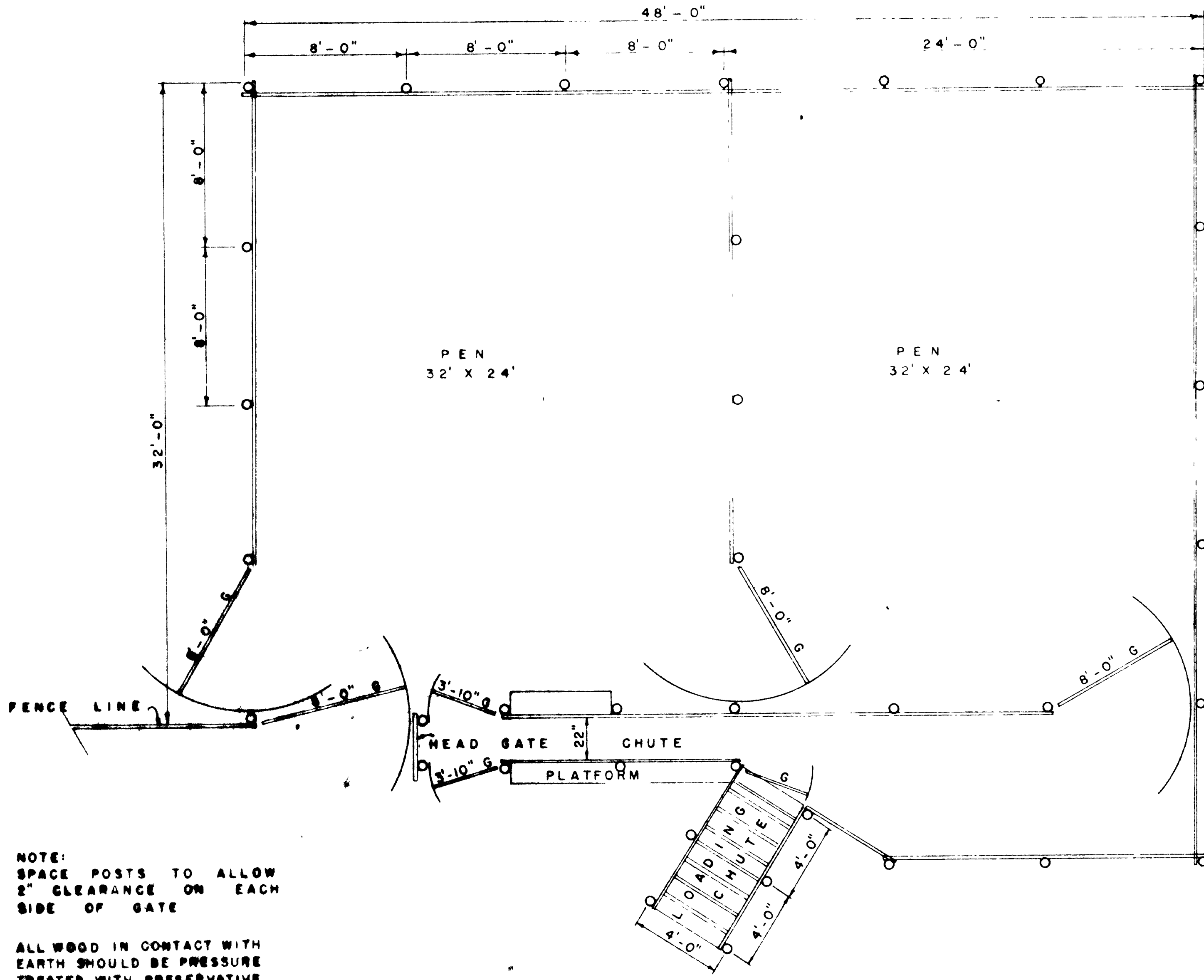


## **Important: Warranty Disclaimer for Plans**

For the convenience of our clientele, this website makes available conceptual plans that can be helpful in planning buildings, facilities, or other structures. They were developed over many years by engineers at Land Grant universities through the former USDA Cooperative Farm Buildings Plan Exchange. *Regardless of the original intent, these are older plans that provide conceptual information only, and are not to be considered or used as construction plans.*

These plans do not claim to represent the most current technology or the most recent construction techniques, standards, or codes. For example, over the years there have been changes in the National Design Specifications for Wood Construction, changes in the strengths and types of building materials, and changes in fasteners, among other things. Those changes, along with variations in climate, building codes, and other factors, make it imperative that professional services be utilized for your specific project. Suggested services include, but are not limited to, structural design, assurance of compliance with codes and regulations, site selection, construction supervision, and provision for utilities, waste management, and access. *These plans do not replace the need for competent design assistance in developing safe, legal, and well-functioning agricultural buildings and systems.*

**Neither the University of Kentucky, the Midwest Plan Service, the United States Department of Agriculture, nor any of the cooperating Land Grant universities, warranty these plans. They are for conceptual use only and are not for use as construction plans.**

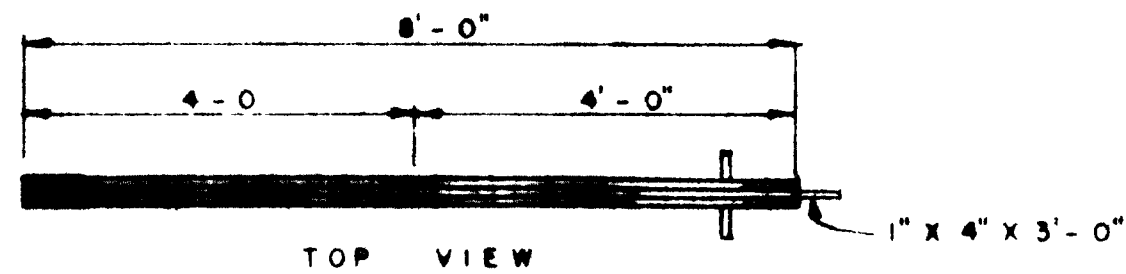


NOTE:  
 SPACE POSTS TO ALLOW  
 2" CLEARANCE ON EACH  
 SIDE OF GATE

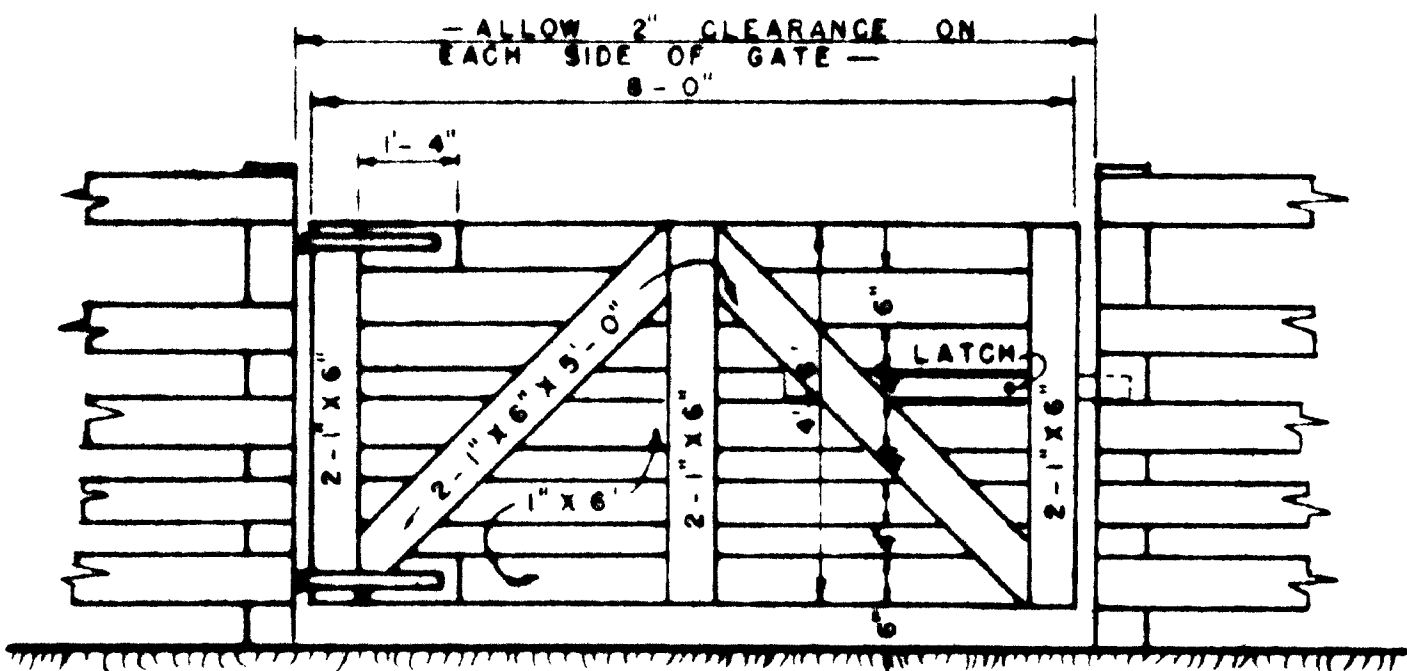
ALL WOOD IN CONTACT WITH  
 EARTH SHOULD BE PRESURE  
 TREATED WITH PRESERVATIVE

P L A N

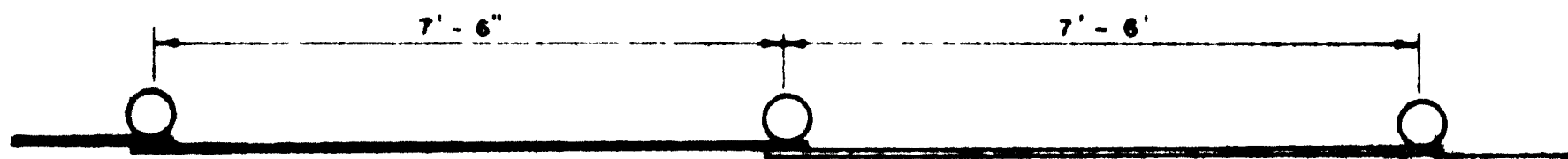
COOPERATIVE EXTENSION WORK IN AGRICULTURE AND HOME ECONOMICS COLLEGE OF AGRICULTURE UNIVERSITY OF VIRGINIA DIV. OF EXTENSION		
UNITED STATES DEPARTMENT OF AGRICULTURE COOPERATING		
<b>TWO-PEN CORRAL</b>		
VA	'54	EX. 5796 SHEET 1 OF 4
REVIEWED <i>PLAN No.</i>		



TOP VIEW



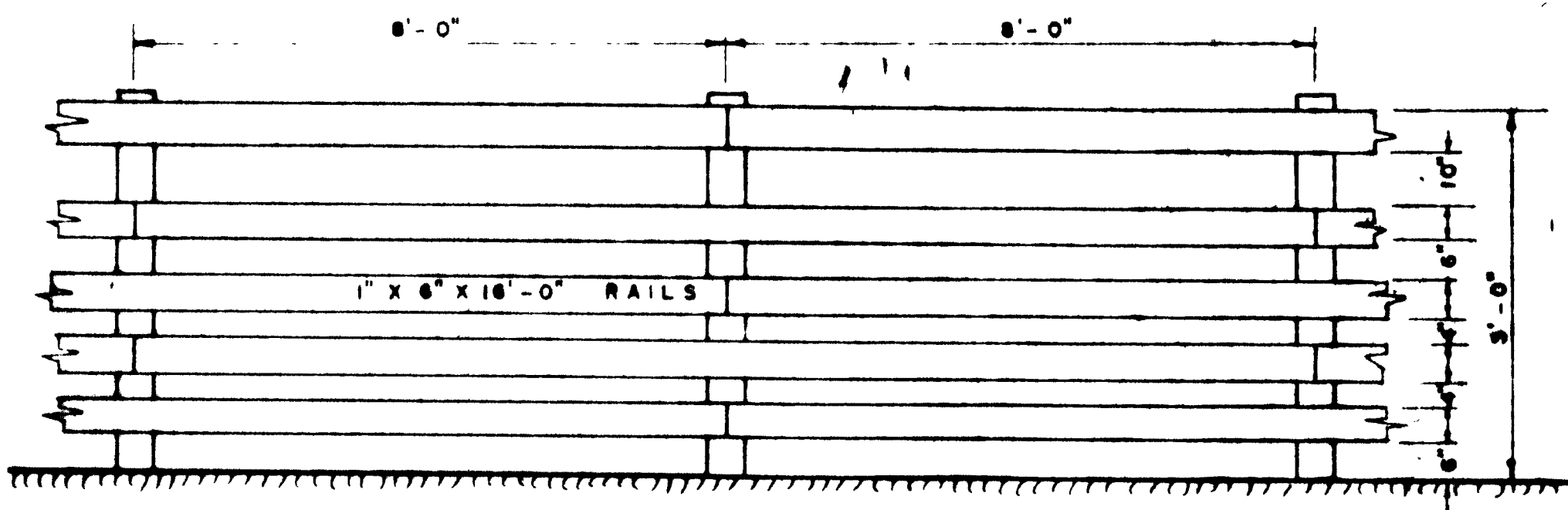
GATE



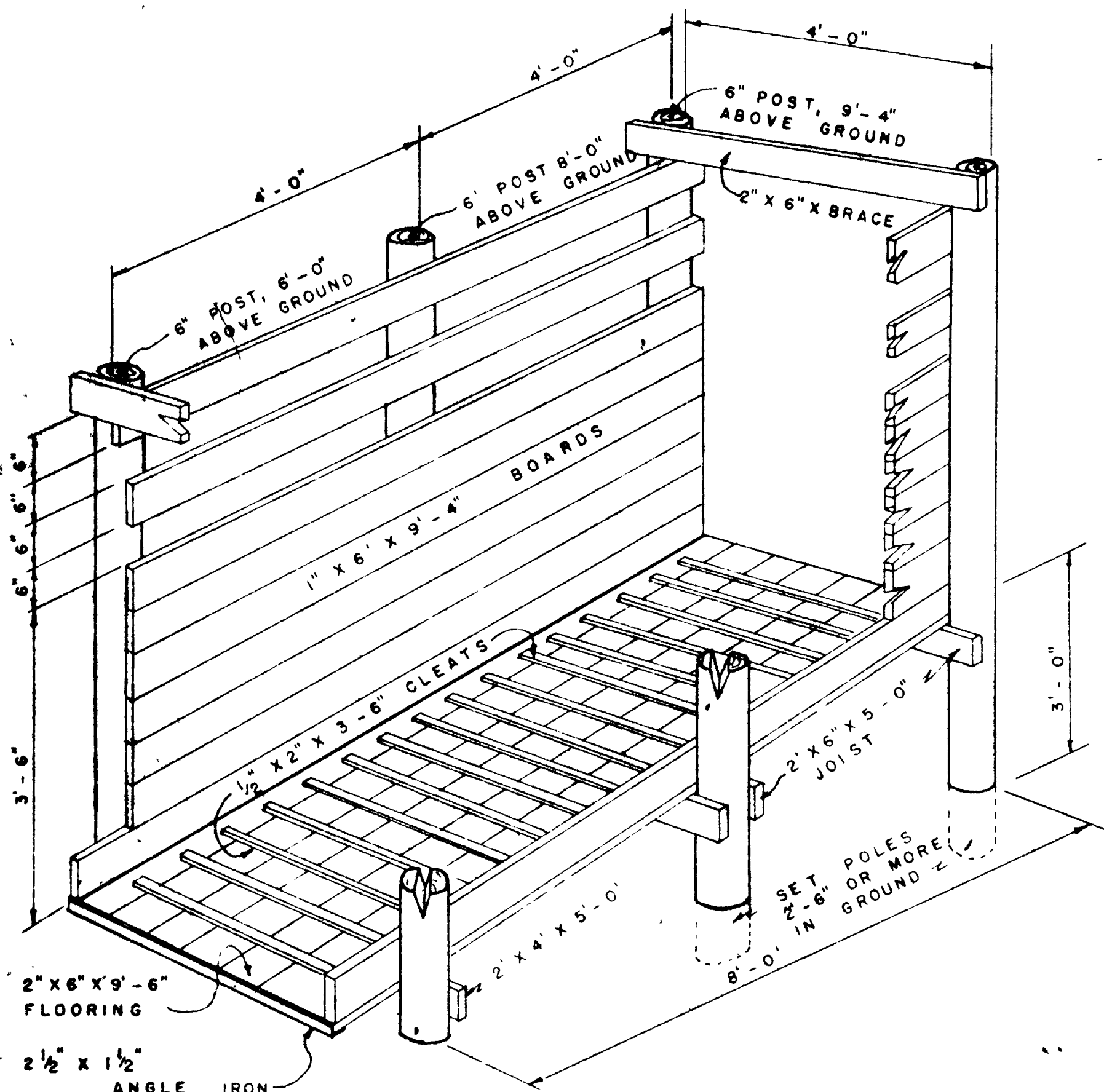
RAILS WITH OVERLAPPING JOINTS



RAILS WITH BUTTED JOINTS



BOARD FENCE



LOADING CHUTE

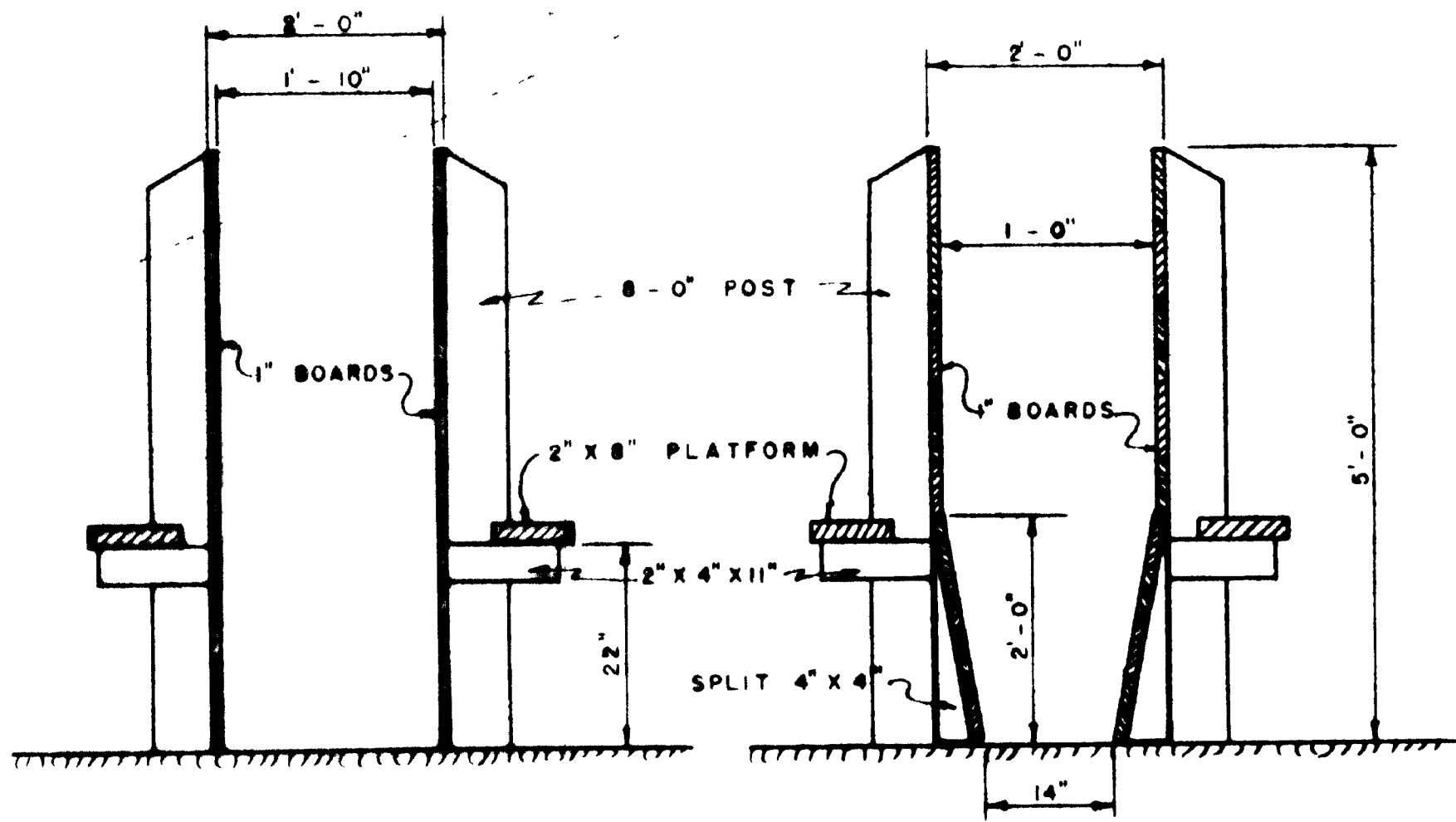
NOTE  
FENCE POSTS SHOULD BE  
SET ABOUT 3'-0" IN GROUND

COOPERATIVE EXTENSION WORK IN  
AGRICULTURE AND HOME ECONOMICS  
COLLEGE OF AGRIC & HOME ECONOMICS  
UNIVERSITY OF KY, LEXINGTON  
AGRIC EXTEN DIVISION  
AND  
UNITED STATES DEPARTMENT OF AGRICULTURE COOPERATING

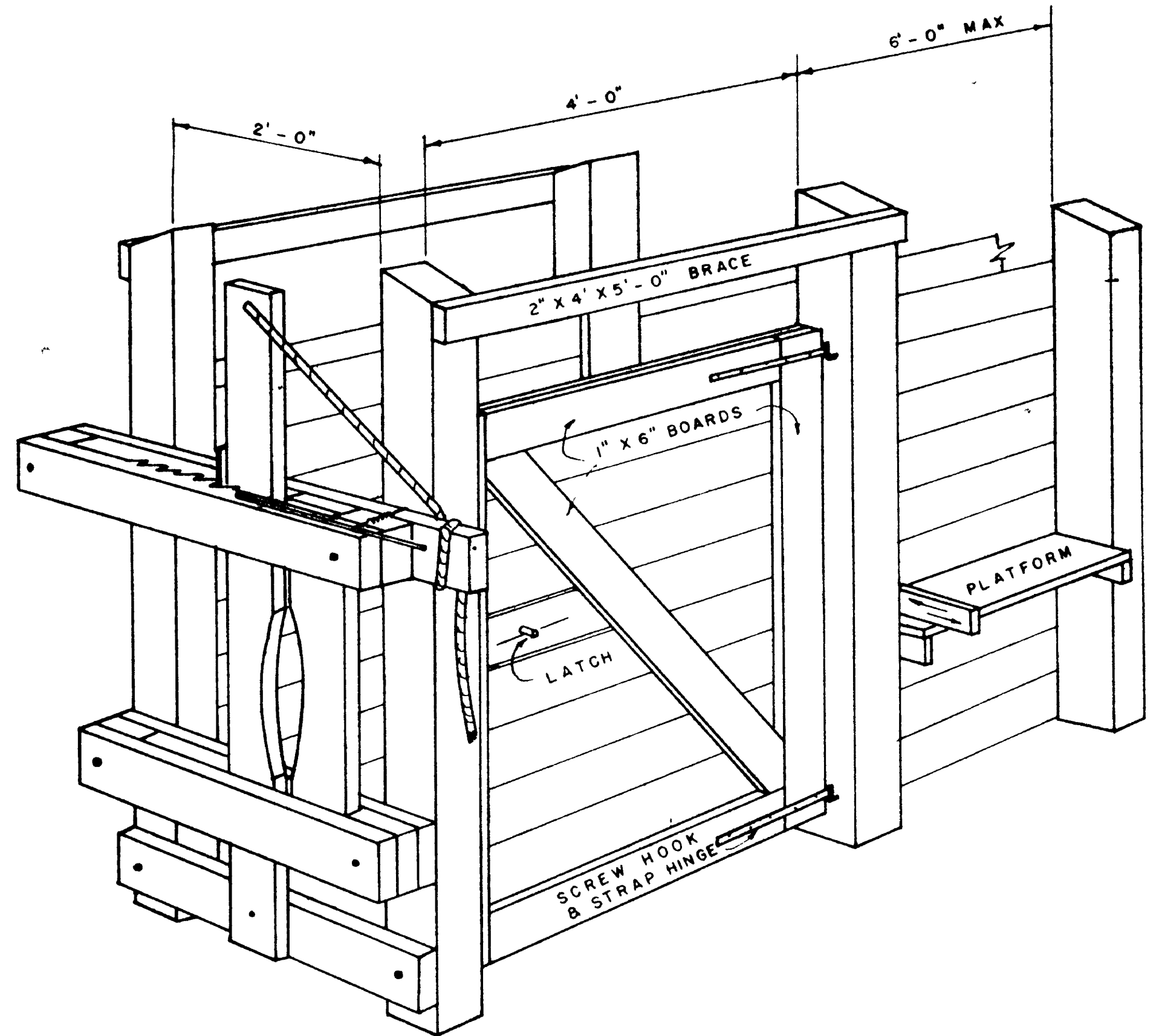
TWO-PEN CORRAL

VA '54 EX 5796 SHEET 2 OF 4

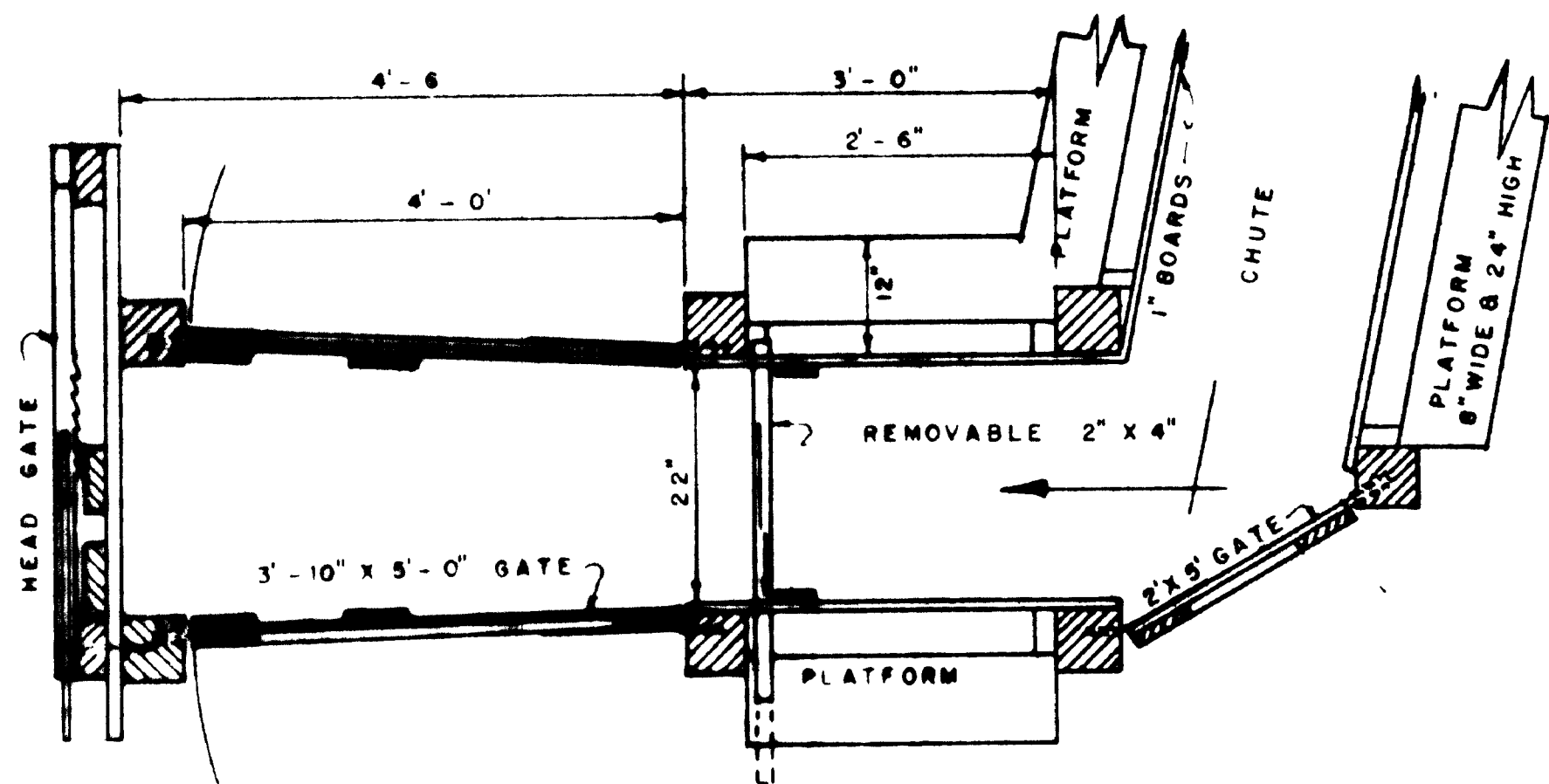
REVIEWED 1952 PLAN No



STRAIGHT SIDES      SLANTED SIDES  
CROSS SECTION OF CHUTE



PERSPECTIVE



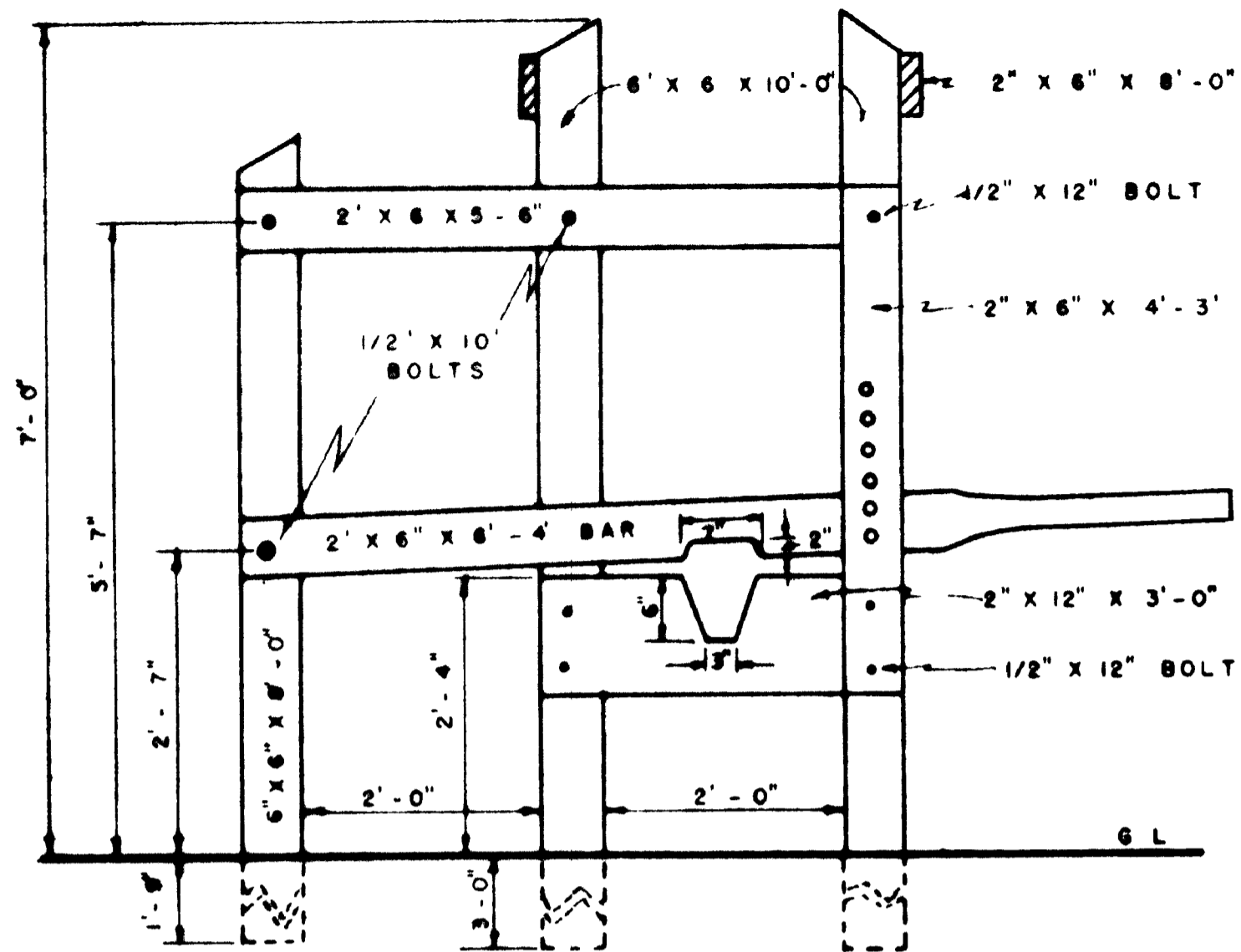
PLAN FOR HEAD GATE, EXIT GATE & CHUTE

COOPERATIVE EXTENSION WORK IN  
AGRICULTURE AND HOME ECONOMICS  
COLLEGE OF AGRIC. & HOME ECON.  
UNIV. OF KY. LEXINGTON  
AGRI ENGR. DIVISION  
AND  
UNITED STATES DEPARTMENT OF AGRICULTURE COOPERATING

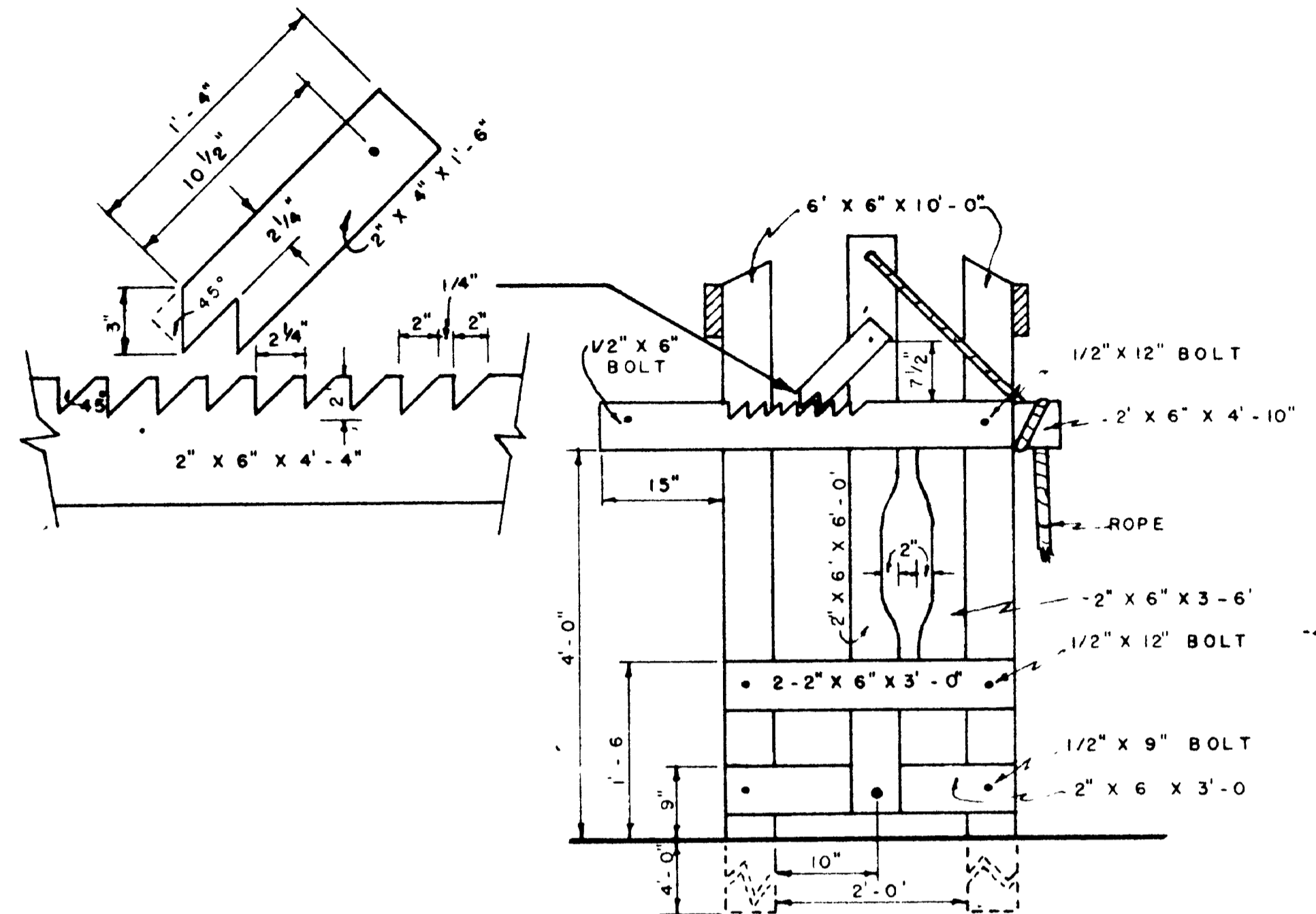
**TWO-PEN CORRAL**

VA '54 EX 5796 SHEET 3 OF 4

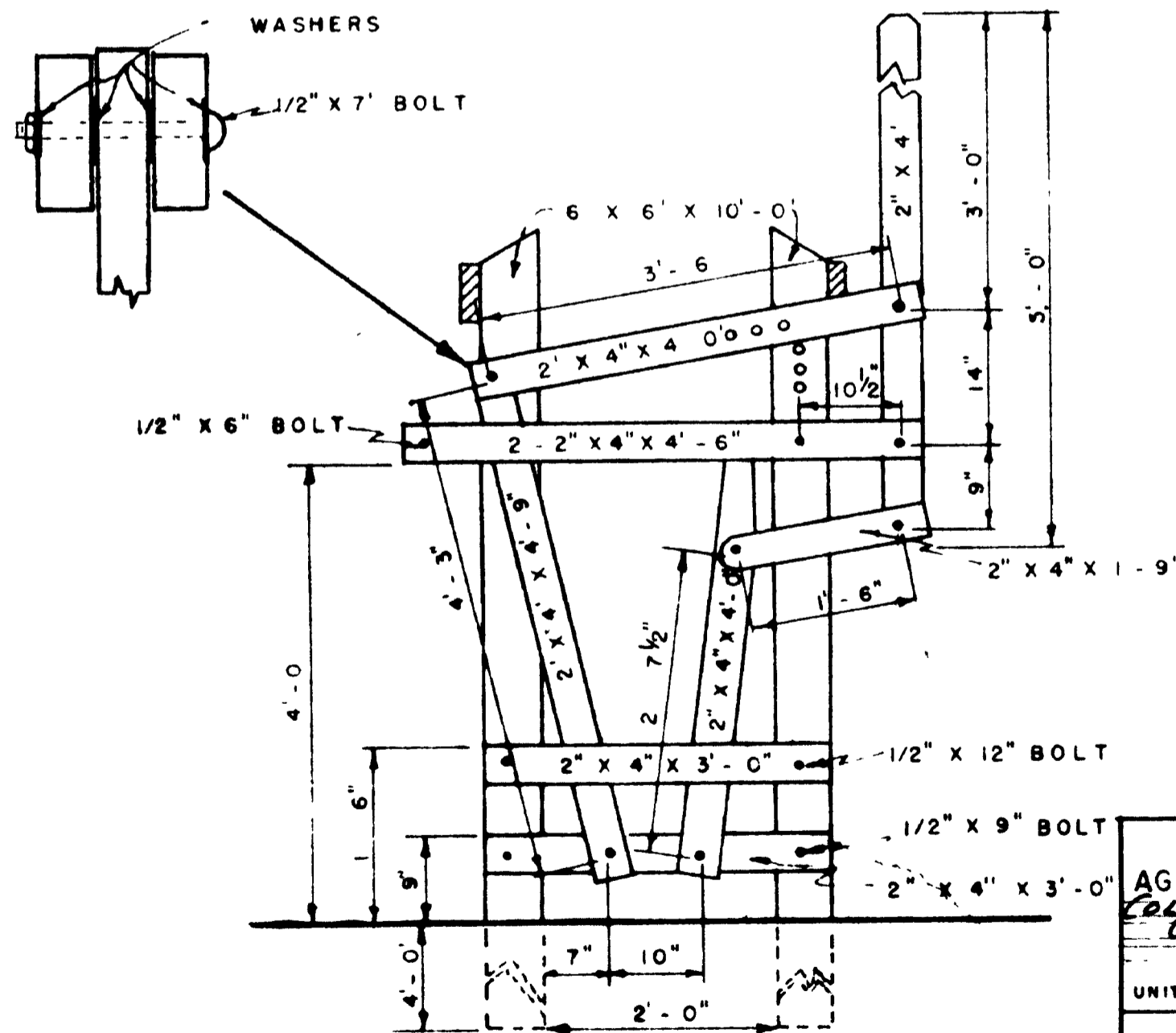
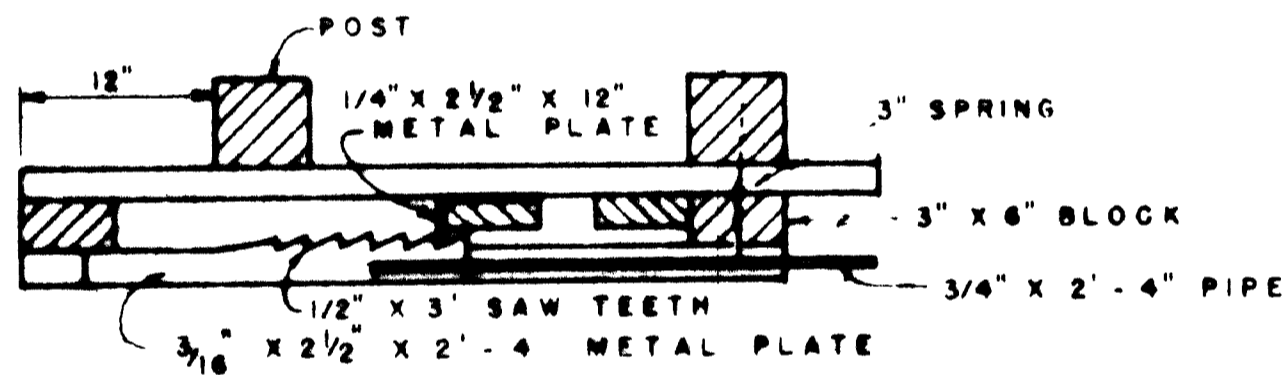
REVISION 1972      PLAN No



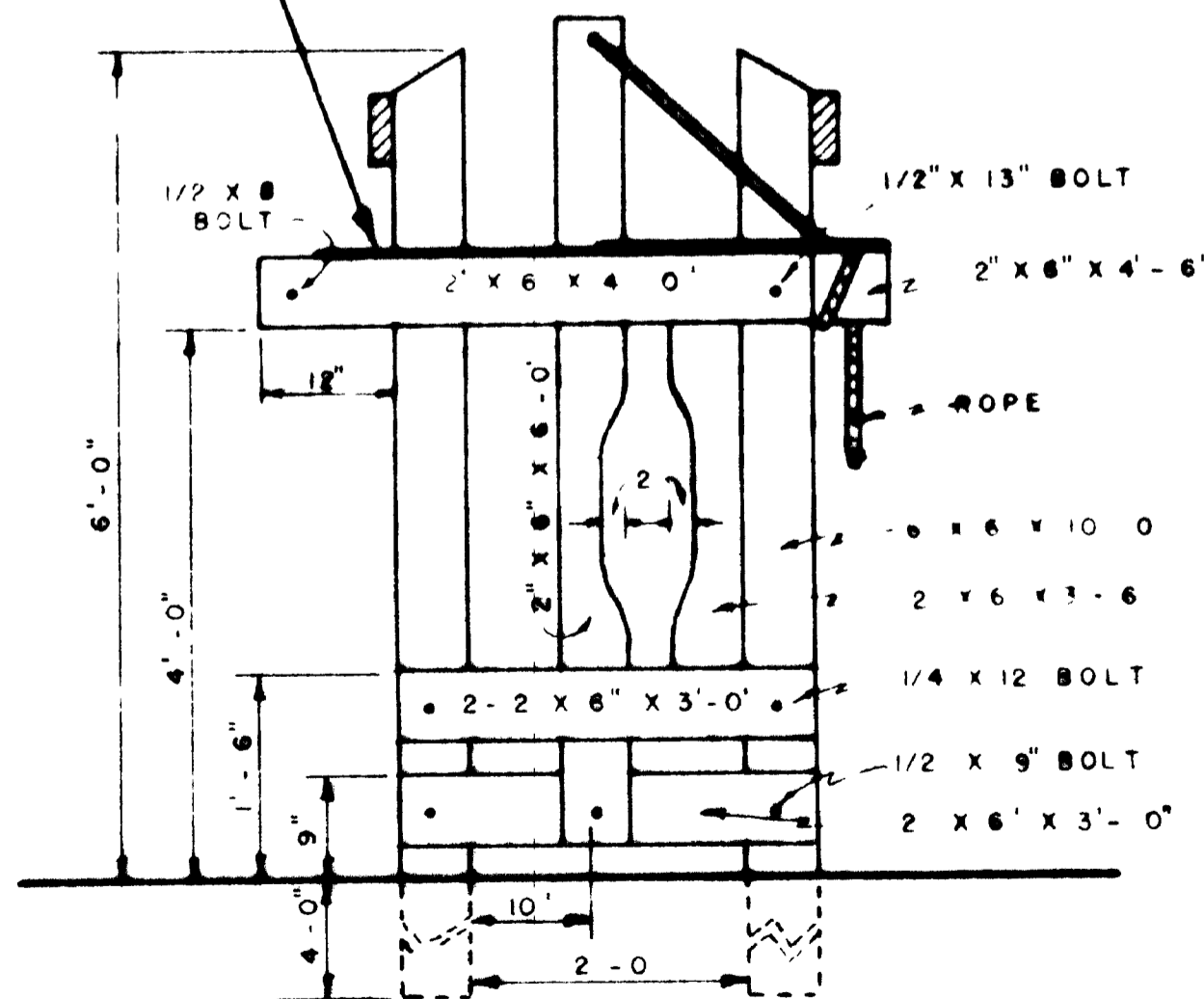
HEAD GATE NO 4



HEAD GATE NO 2



HEAD GATE NO. 3



HEAD GATE NO 1

COOPERATIVE EXTENSION WORK IN  
 AGRICULTURE AND HOME ECONOMICS  
 COLLEGE OF AGRIC. & HOME ECON.  
 UNIV. OF KENTUCKY LEXINGTON  
 AGRI. ENGR. DIVISION  
 AND  
 UNITED STATES DEPARTMENT OF AGRICULTURE COOPERATING

**TWO-PEN CORRAL**

VA '54 EX 5796 SHEET 4 OF 4

Rev. 12-1932 PLAN No