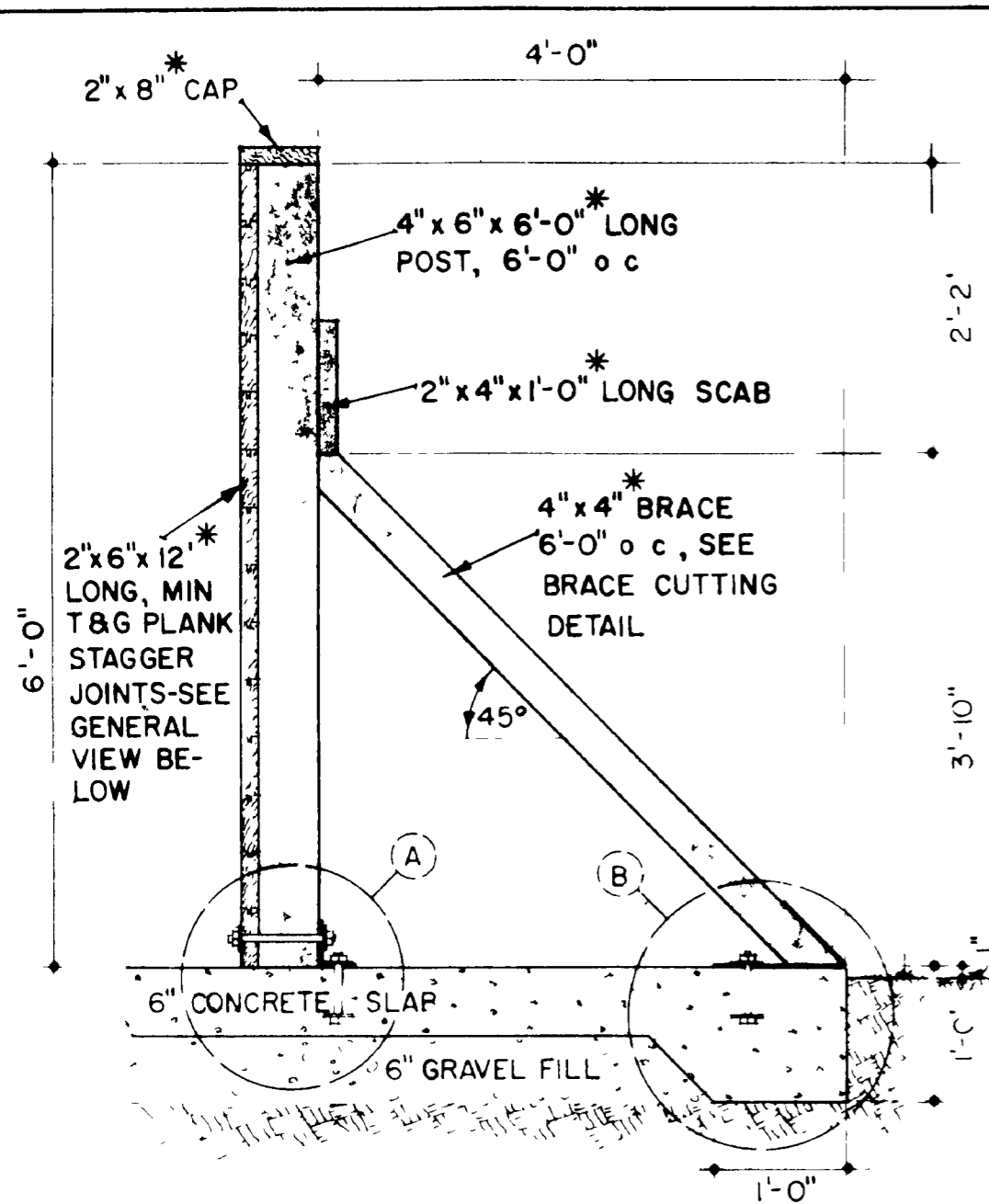


Important: Warranty Disclaimer for Plans

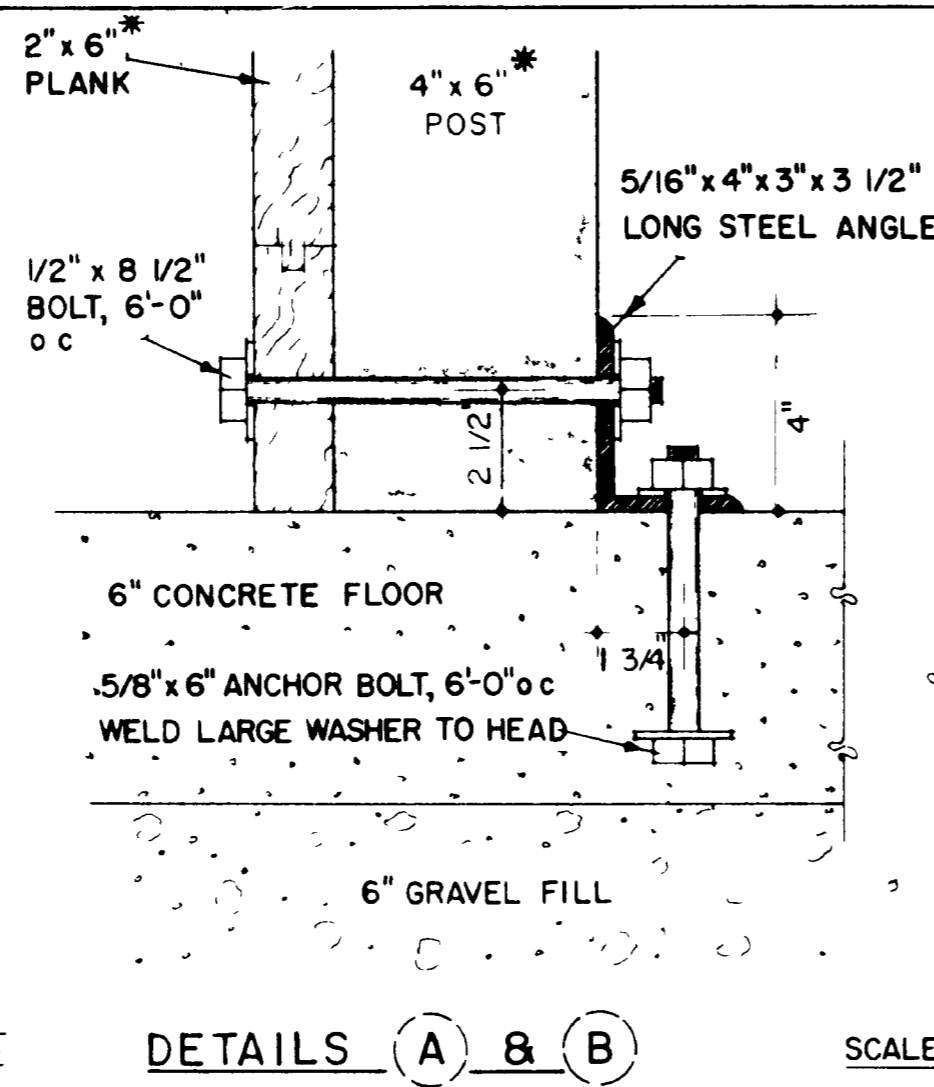
For the convenience of our clientele, this website makes available conceptual plans that can be helpful in planning buildings, facilities, or other structures. They were developed over many years by engineers at Land Grant universities through the former USDA Cooperative Farm Buildings Plan Exchange. *Regardless of the original intent, these are older plans that provide conceptual information only, and are not to be considered or used as construction plans.*

These plans do not claim to represent the most current technology or the most recent construction techniques, standards, or codes. For example, over the years there have been changes in the National Design Specifications for Wood Construction, changes in the strengths and types of building materials, and changes in fasteners, among other things. Those changes, along with variations in climate, building codes, and other factors, make it imperative that professional services be utilized for your specific project. Suggested services include, but are not limited to, structural design, assurance of compliance with codes and regulations, site selection, construction supervision, and provision for utilities, waste management, and access. *These plans do not replace the need for competent design assistance in developing safe, legal, and well-functioning agricultural buildings and systems.*

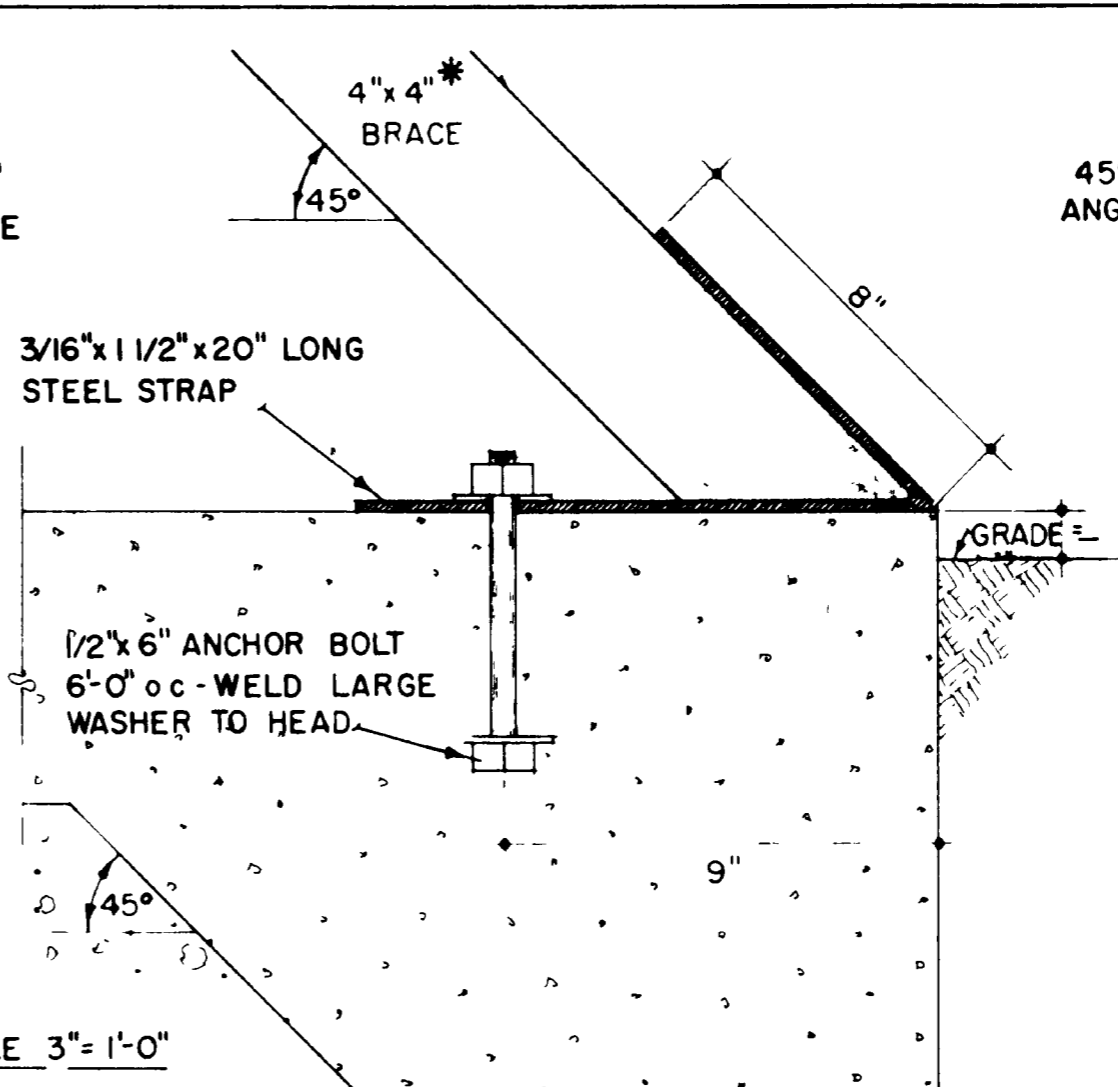
Neither the University of Kentucky, the Midwest Plan Service, the United States Department of Agriculture, nor any of the cooperating Land Grant universities, warranty these plans. They are for conceptual use only and are not for use as construction plans.



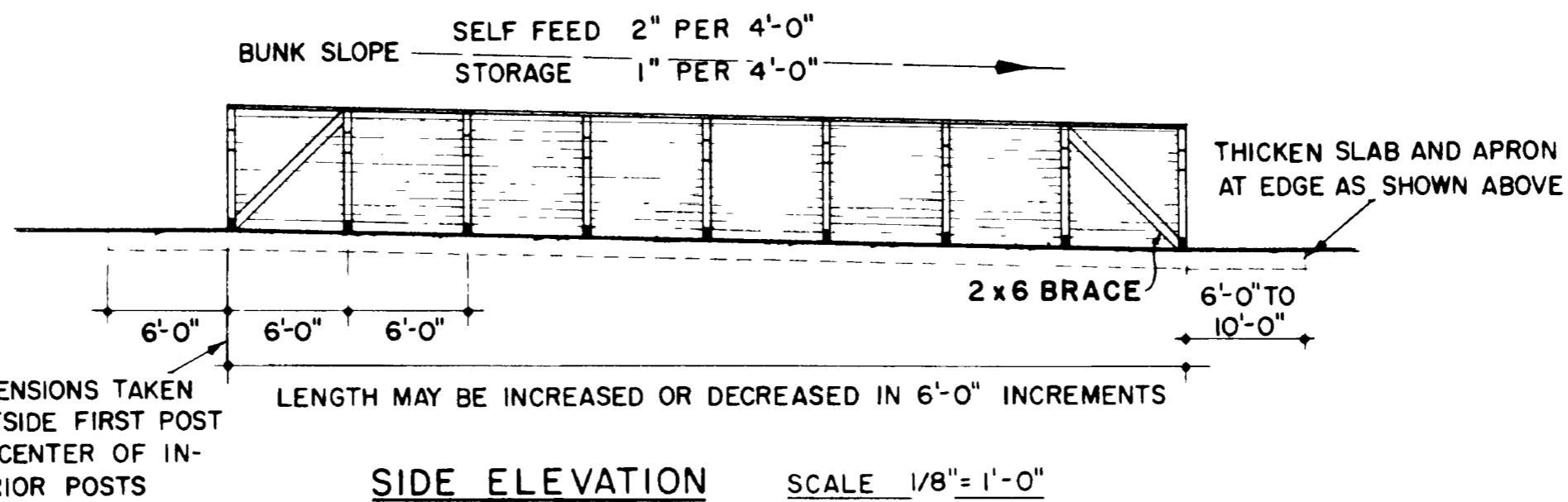
WALL SECTION SCALE 3/4" = 1'-0"



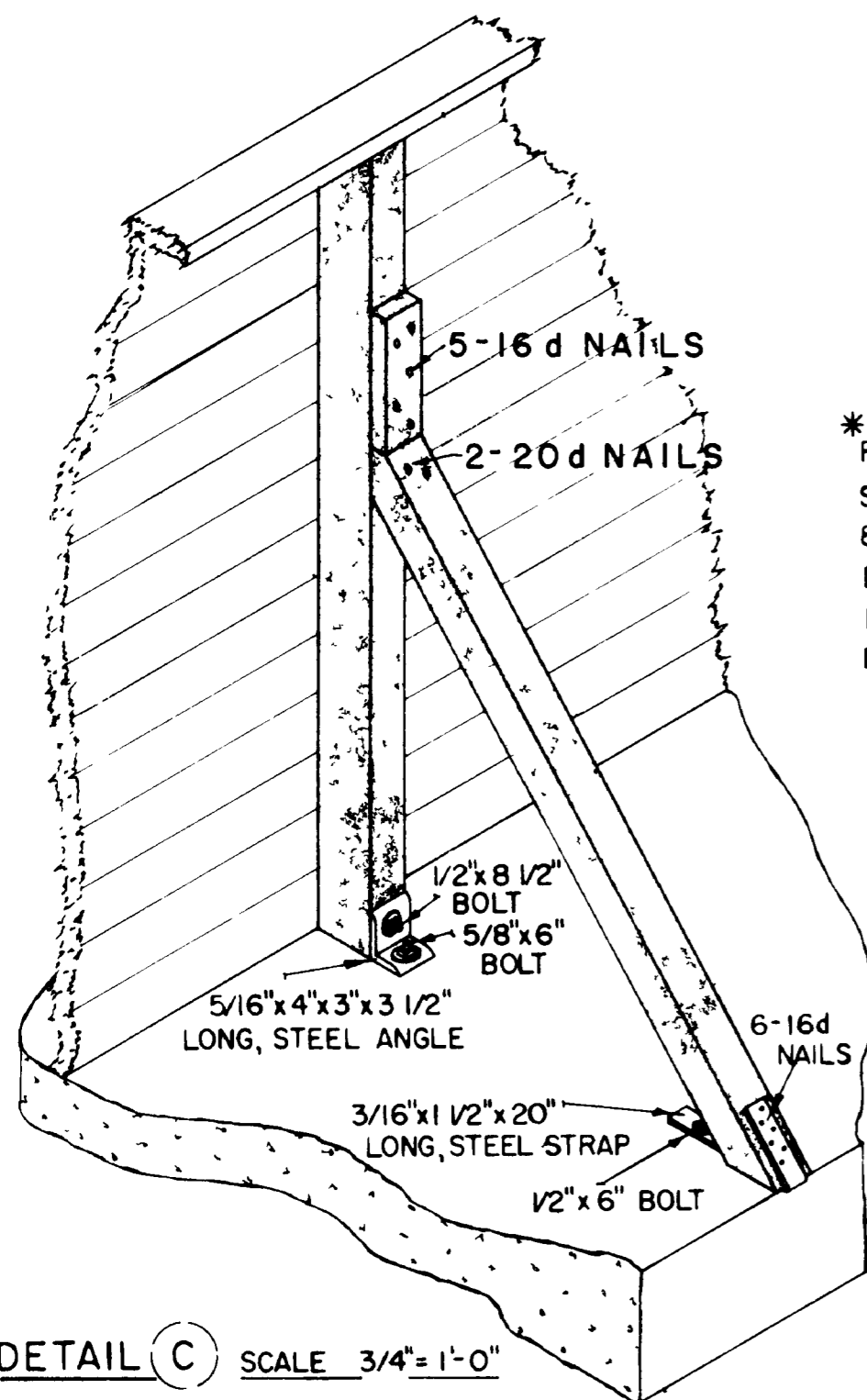
DETAILS A & B SCALE 3" = 1'-0"



BRACE CUTTING DETAIL SCALE 1 1/2" = 1'-0"

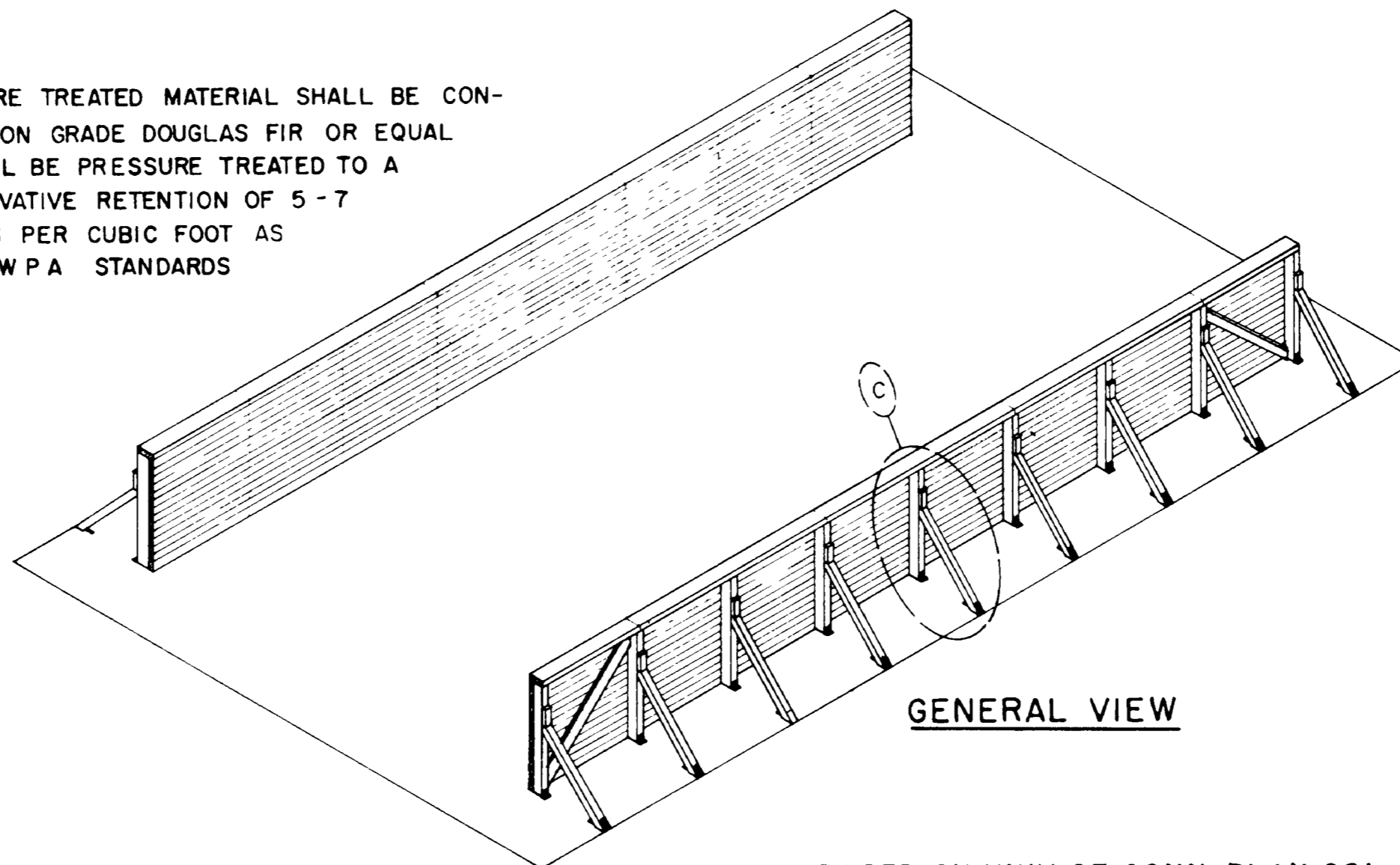


SIDE ELEVATION SCALE 1/8" = 1'-0"



DETAIL C SCALE 3/4" = 1'-0"

* PRESSURE TREATED MATERIAL SHALL BE CONSTRUCTION GRADE DOUGLAS FIR OR EQUAL & SHALL BE PRESSURE TREATED TO A PRESERVATIVE RETENTION OF 5-7 POUNDS PER CUBIC FOOT AS PER A WPA STANDARDS



GENERAL VIEW

NOTES

GENERAL

- 1 SITE LOCATION TO BE WELL DRAINED
- 2 IF SELF-FEEDING IS DESIRED, ORDER PLAN 5872, "SELF-FEEDING FENCES"
- 3 IF SOLID END WALL IS DESIRED, USE 2"x6" PLANK WALL BRACED 6'-0" AS SHOWN ON THIS DRAWING
- 4 USE GALVANIZED OR CADMIUM PLATED 10d NAILS TO FASTEN PLANK TO POSTS

LUMBER

- 1 USE "STANDARD" GRADE DOUGLAS FIR OR STRESS GRADED LUMBER WITH A MINIMUM FIBER STRESS OF 1200 psi

CONCRETE

- 1 USE 3000 psi AIR ENTRAINED MIX CONTAINING 6% AIR
- 2 SLOPE FLOOR AS INDICATED ON THE SIDE ELEVATION

SILLO CAPACITIES

WIDTH (FEET)	LENGTH (FEET)	CAPACITY (TONS)	(TONS FOR EA. ADDITIONAL 4')
12	36	55	67
16	48	106	94
20	60	175	123
24	72	265	154
28	84	378	187
32	96	516	222
36	108	680	259
40	120	936	324

CAPACITIES SHOWN ARE APPROX & ARE BASED ON A SILAGE WEIGHT OF 40 LBS PER CU FT

COOPERATIVE EXTENSION WORK IN AGRICULTURE AND HOME ECONOMICS
DEPARTMENT OF AGRICULTURAL ENGINEERING
COLLEGE OF AGRICULTURE
UNIVERSITY OF KENTUCKY
AND
UNITED STATES DEPARTMENT OF AGRICULTURE COOPERATING

BRACED WALL SILO

CONN. '67 EX 6021 SHEET 1 OF 1

REVISIONS

BASED ON UNIV OF CONN. PLAN 221