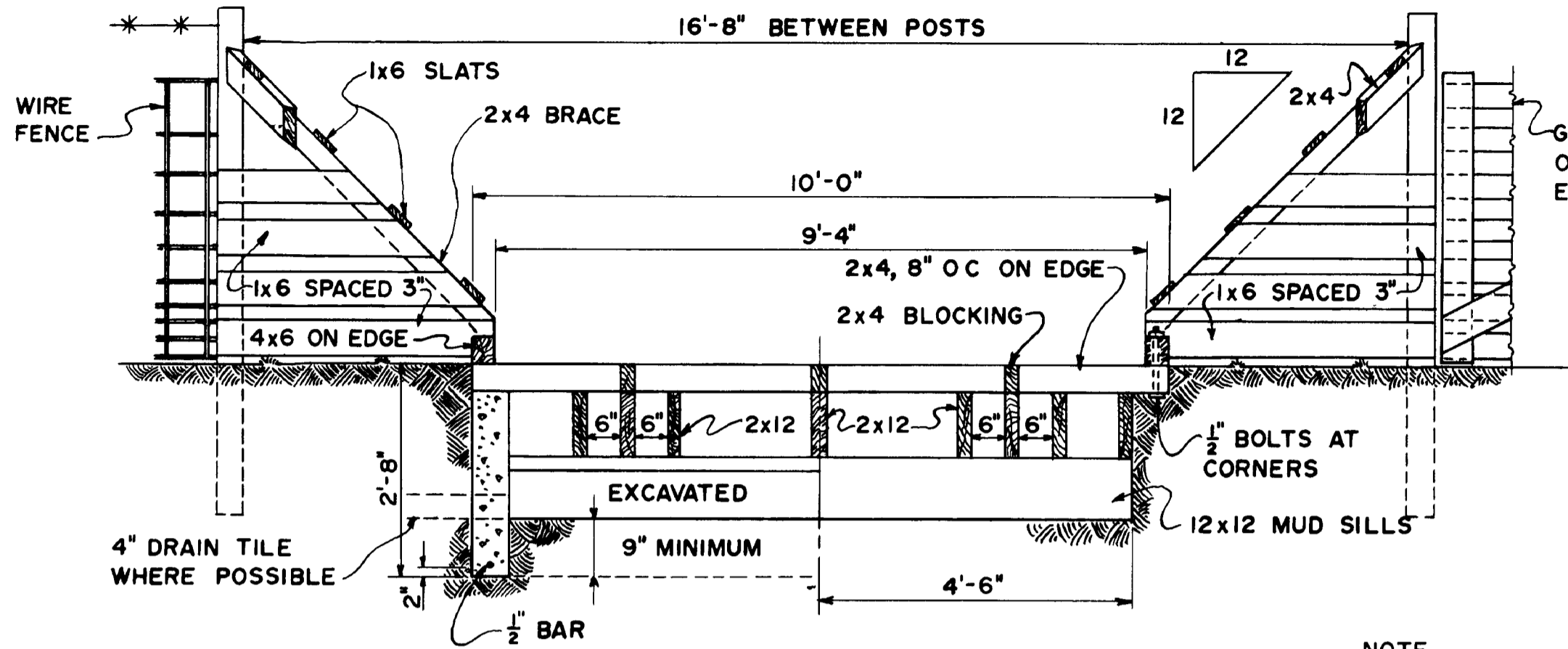


Important: Warranty Disclaimer for Plans

For the convenience of our clientele, this website makes available conceptual plans that can be helpful in planning buildings, facilities, or other structures. They were developed over many years by engineers at Land Grant universities through the former USDA Cooperative Farm Buildings Plan Exchange. *Regardless of the original intent, these are older plans that provide conceptual information only, and are not to be considered or used as construction plans.*

These plans do not claim to represent the most current technology or the most recent construction techniques, standards, or codes. For example, over the years there have been changes in the National Design Specifications for Wood Construction, changes in the strengths and types of building materials, and changes in fasteners, among other things. Those changes, along with variations in climate, building codes, and other factors, make it imperative that professional services be utilized for your specific project. Suggested services include, but are not limited to, structural design, assurance of compliance with codes and regulations, site selection, construction supervision, and provision for utilities, waste management, and access. *These plans do not replace the need for competent design assistance in developing safe, legal, and well-functioning agricultural buildings and systems.*

Neither the University of Kentucky, the Midwest Plan Service, the United States Department of Agriculture, nor any of the cooperating Land Grant universities, warranty these plans. They are for conceptual use only and are not for use as construction plans.



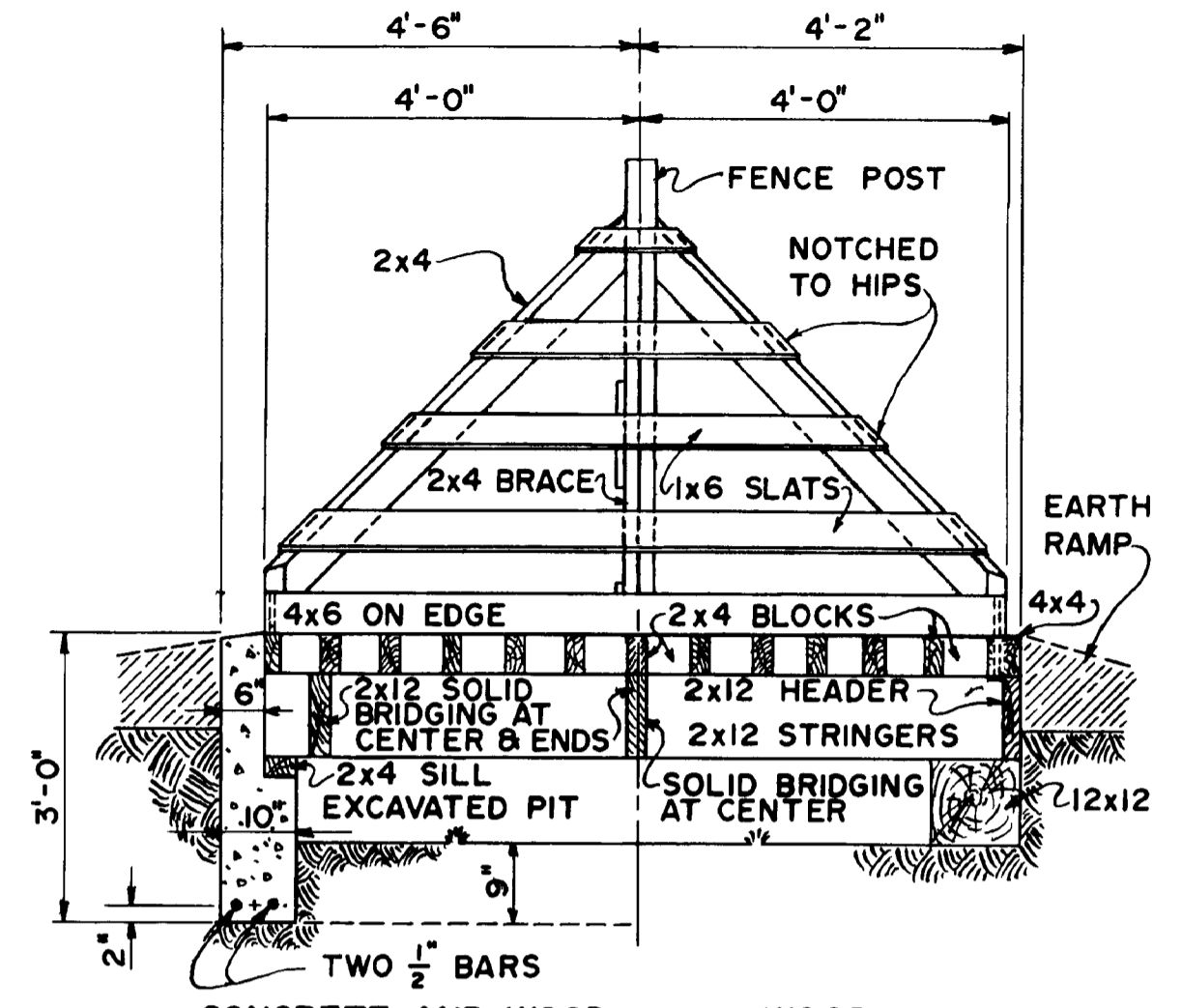
CONCRETE AND WOOD

WOOD

SECTION A-A

GATE FOR PASSAGE OF CATTLE AND WIDE EQUIPMENT

NOTE
SECTION A-A SHOWS GUARD FLOOR BUILT LEVEL WITH GRADE
SECTION B-B SHOWS GUARD FLOOR RAISED ABOVE GRADE.



CONCRETE AND WOOD

WOOD

SECTION B-B

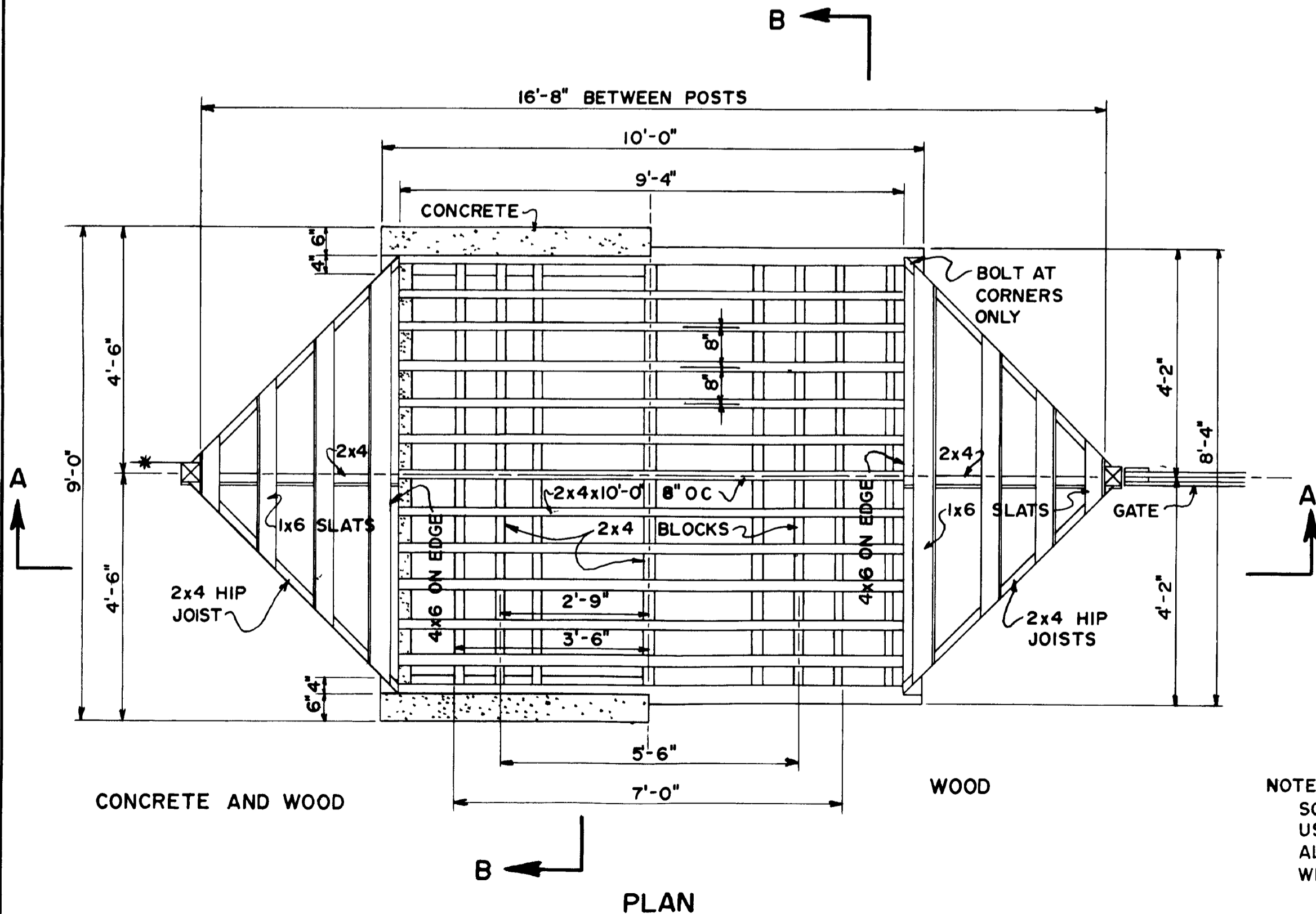
BILLS OF MATERIAL

CONCRETE AND WOOD

WOOD

- LUMBER
FENCE POSTS: 2-PCS 4x4x7'-0"
FRAMING: 3-PCS 2x12x10'-0"
7-PCS 2x12x8'-0"
13-PCS 2x4x10'-0"
2-PCS 2x4x9'-0"
3-PCS 2x4x8'-0"
6-PCS 2x4x6'-0"
9-PCS 1x6x8'-0"
SLATS: 9-PCS 1x6x8'-0"
GUARD RAILS: 2-PCS 4x6x8'-0"
CONCRETE: 2 1/2 CU YDS (1:3:5 MIXTURE)
CEMENT: 12 SACKS
SAND: 125 CU YDS
AGGREGATE: 213 CU YDS
MISCELLANEOUS
ANCHOR BOLTS: FOUR 1/2" x 12" GALV
REINF RODS: FOUR 1/2" x 9'-9"
TWO 1/2" x 8'-9"

- LUMBER
FENCE POSTS: 2-PCS 4x4x7'-0"
FRAMING: 2-PCS 12x12x9'-0"
2-PCS 4x4x10'-0"
3-PCS 2x12x10'-0"
9-PCS 2x12x8'-0"
11-PCS 2x4x10'-0"
3-PCS 2x4x8'-0"
6-PCS 2x4x6'-0"
SLATS: 9-PCS 1x6x8'-0"
GUARD RAILS: 2-PCS 4x6x8'-0"
MISCELLANEOUS
ANCHOR BOLTS: FOUR 1/2" x 12" GALV



CONCRETE AND WOOD

WOOD

PLAN

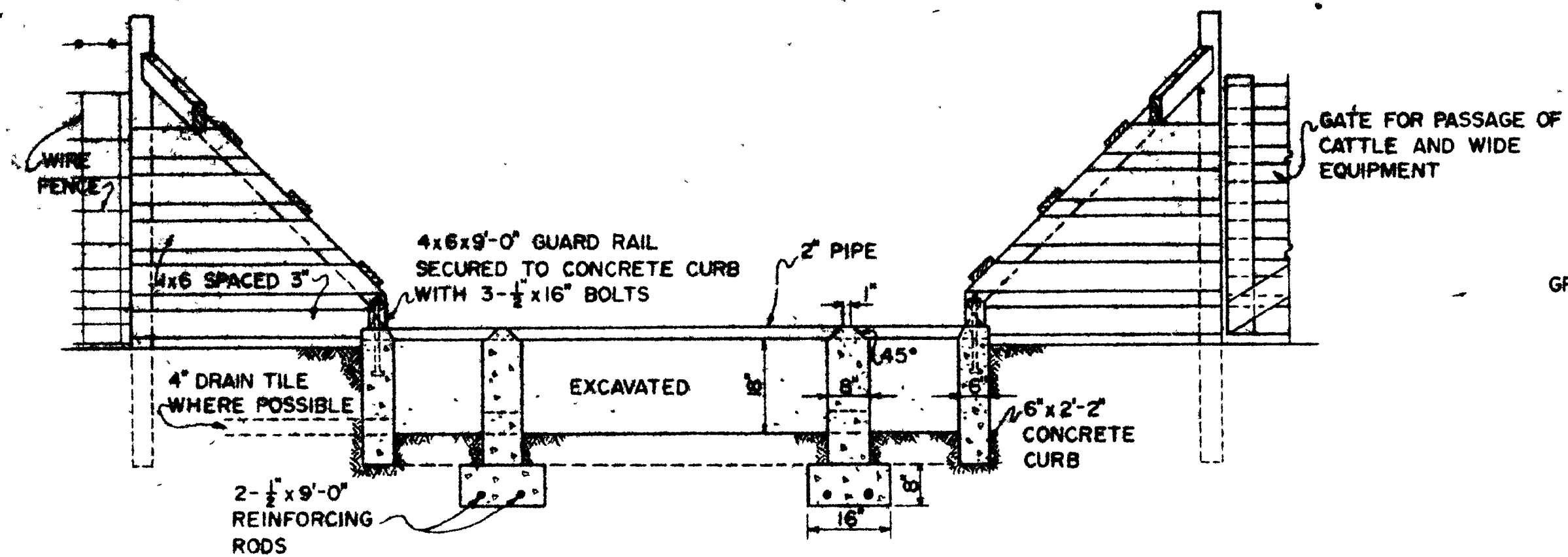
NOTE:
SCALE: 1/2" = 1'-0"
USE ROUGH-SAWN LUMBER.
ALL WOOD IS TO BE PRESSURE-TREATED WITH PRESERVATIVE.

COOPERATIVE EXTENSION WORK IN AGRICULTURE AND HOME ECONOMICS
UNIVERSITY OF KENTUCKY
AND
UNITED STATES DEPARTMENT OF AGRICULTURE COOPERATING

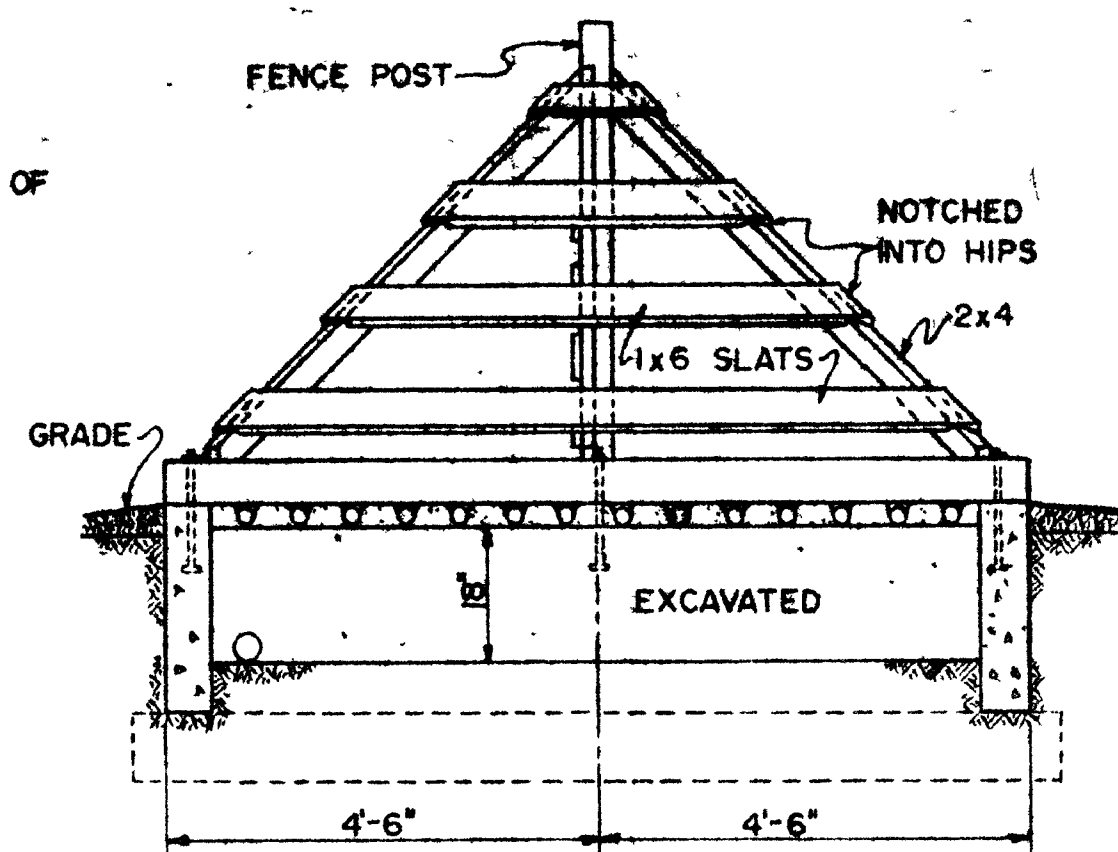
CATTLE GUARDS

USDA '68 EX 6051 SHEET 2 OF 2

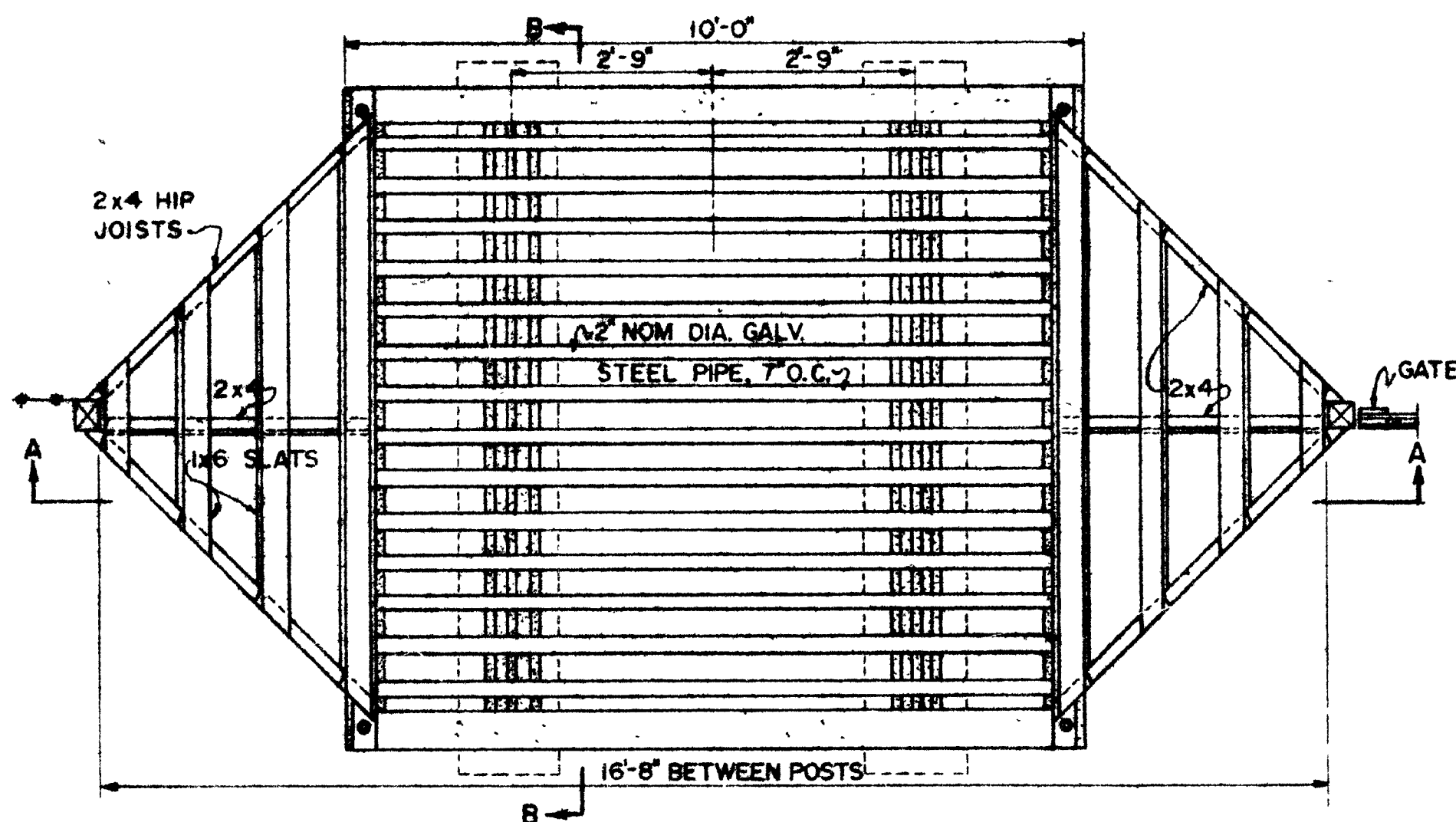
REVISED 1972



SECTION A-A



SECTION B-B



PLAN

**BILL OF MATERIALS
CONCRETE AND STEEL**

LUMBER		
FRAMING:	1-PCS	2x4x12'-0"
	2- "	2x4x14'-0"
SLATS:	6- "	1x6x12'-0"
GUARD RAILS	2- "	4x6x9'-0"
CONCRETE:		
	2 3/4	CU YDS (1 3:5 MIXTURE)
CEMENT:	13	SACKS
SAND	1 4	CU YDS
AGGREGATE	2.35	CU YDS
MISCELLANEOUS		
PIPES:	14-PCS,	2" NOM. DIA. EXTRA STRONG GALV. STEEL PIPE OR RAILS 10'-0" LONG
ANCHOR BOLTS:	6- 1/2"	φ x 16"
REINF RODS:	4- 1/2"	φ x 9'-0"

NOTE A WIDE GATE ADJACENT TO GUARD IS SUGGESTED FOR PASSAGE OF EXTRA WIDE EQUIPMENT AND LIVESTOCK
ALL WOOD TO BE TREATED WITH PRESERVATIVE.

SCALE: 1/2" = 1'-0"

COOPERATIVE EXTENSION WORK IN
AGRICULTURE AND HOME ECONOMICS

U.S. DEPARTMENT OF AGRICULTURE

CATTLE GUARDS

USDA '68 EX 605 SHEET 1 OF 2