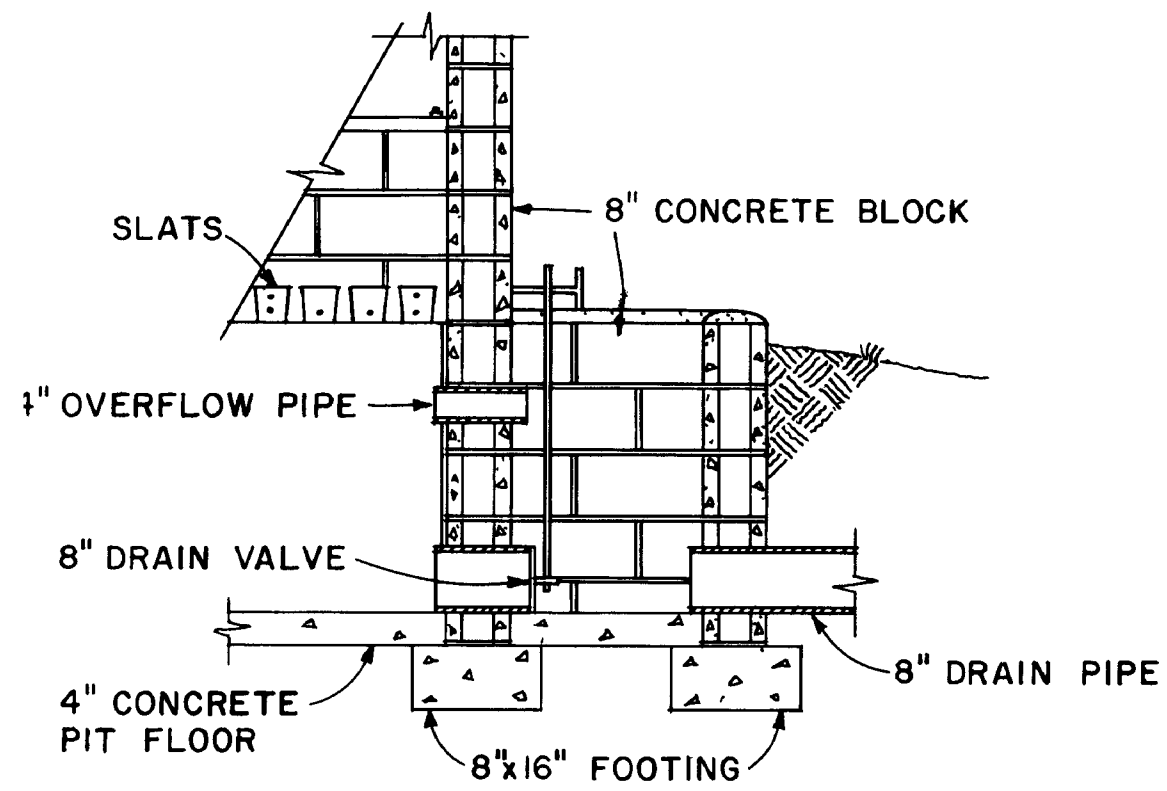


Important: Warranty Disclaimer for Plans

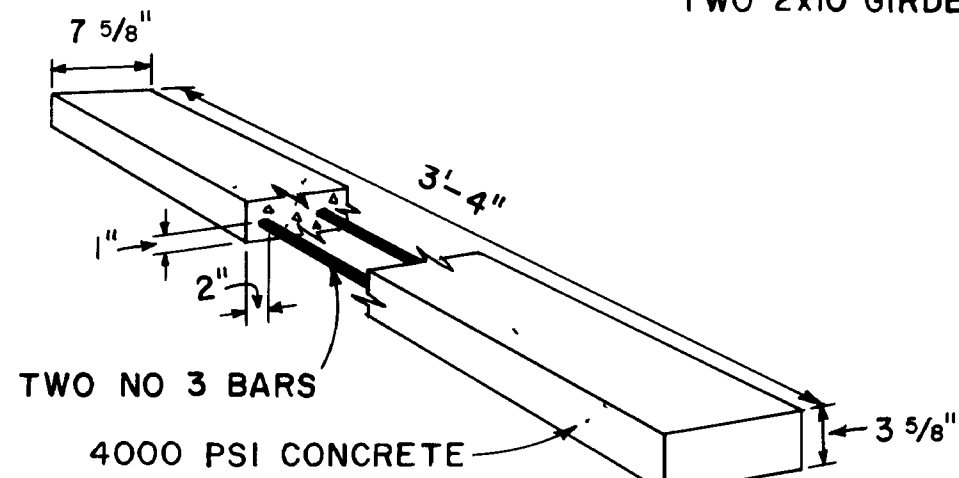
For the convenience of our clientele, this website makes available conceptual plans that can be helpful in planning buildings, facilities, or other structures. They were developed over many years by engineers at Land Grant universities through the former USDA Cooperative Farm Buildings Plan Exchange. *Regardless of the original intent, these are older plans that provide conceptual information only, and are not to be considered or used as construction plans.*

These plans do not claim to represent the most current technology or the most recent construction techniques, standards, or codes. For example, over the years there have been changes in the National Design Specifications for Wood Construction, changes in the strengths and types of building materials, and changes in fasteners, among other things. Those changes, along with variations in climate, building codes, and other factors, make it imperative that professional services be utilized for your specific project. Suggested services include, but are not limited to, structural design, assurance of compliance with codes and regulations, site selection, construction supervision, and provision for utilities, waste management, and access. *These plans do not replace the need for competent design assistance in developing safe, legal, and well-functioning agricultural buildings and systems.*

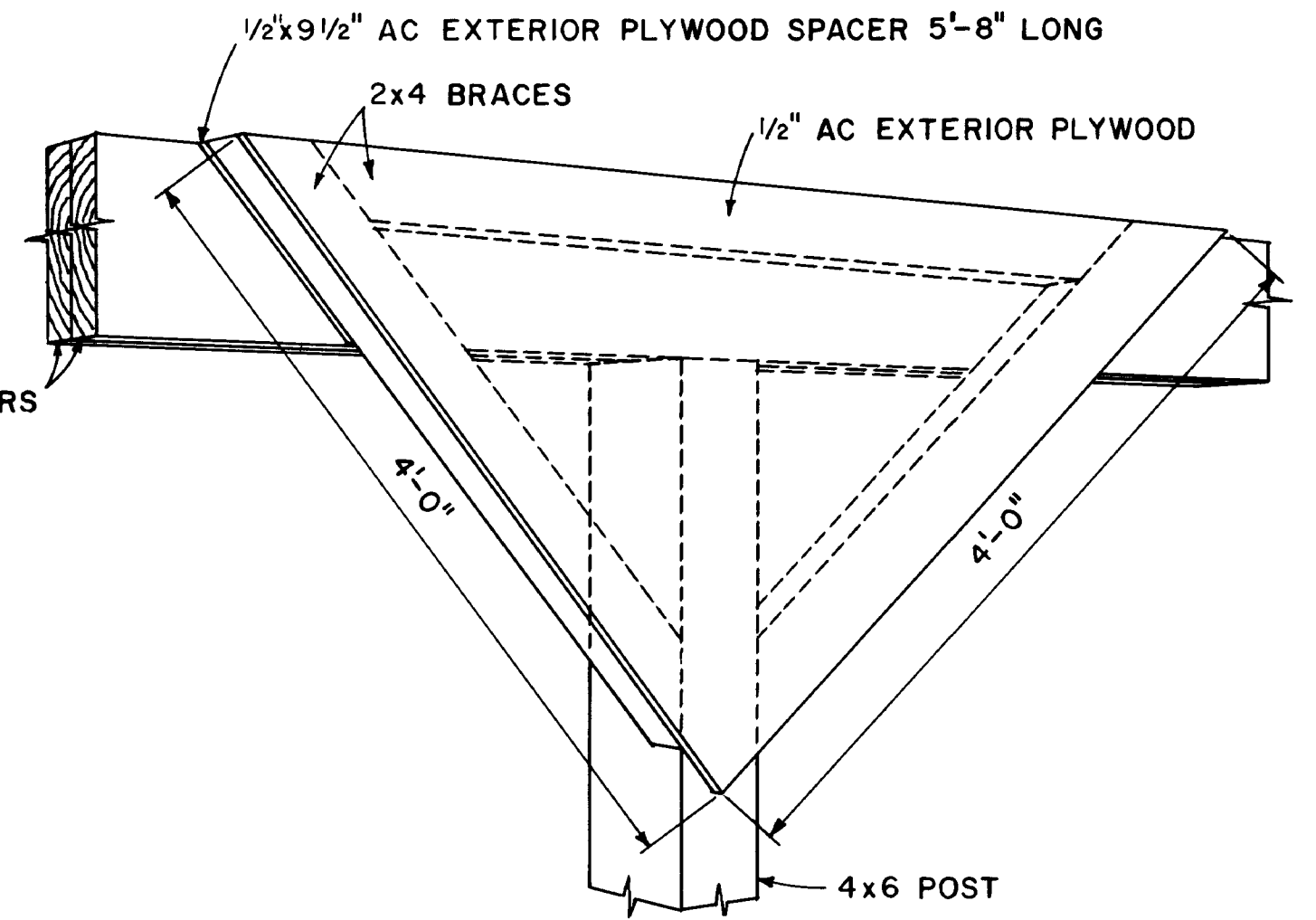
Neither the University of Kentucky, the Midwest Plan Service, the United States Department of Agriculture, nor any of the cooperating Land Grant universities, warranty these plans. They are for conceptual use only and are not for use as construction plans.



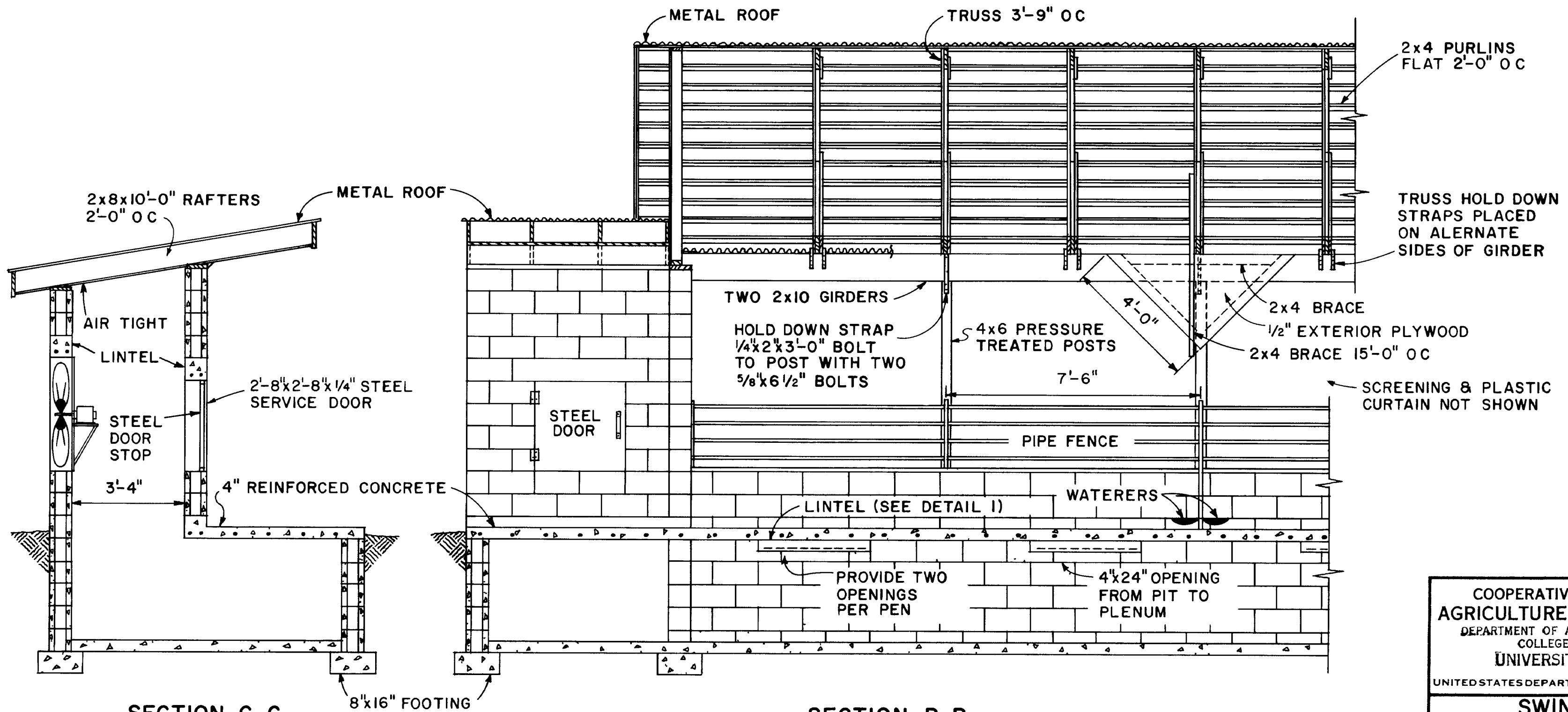
SECTION D-D
PIT DRAIN DETAIL
SCALE 1/2" = 1'-0"



CONCRETE LINTEL DETAIL NO. 1
PERSPECTIVE



POST BRACING DETAIL 4
PERSPECTIVE

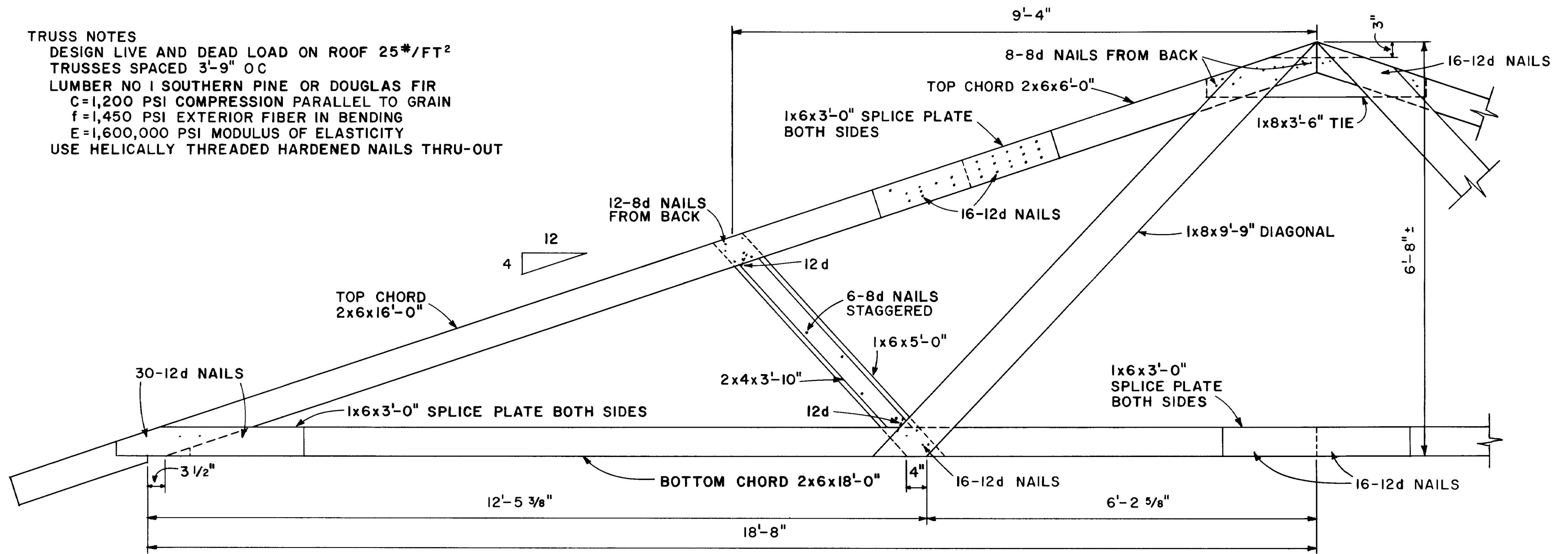


SECTION C-C
SCALE 3/8" = 1'-0"

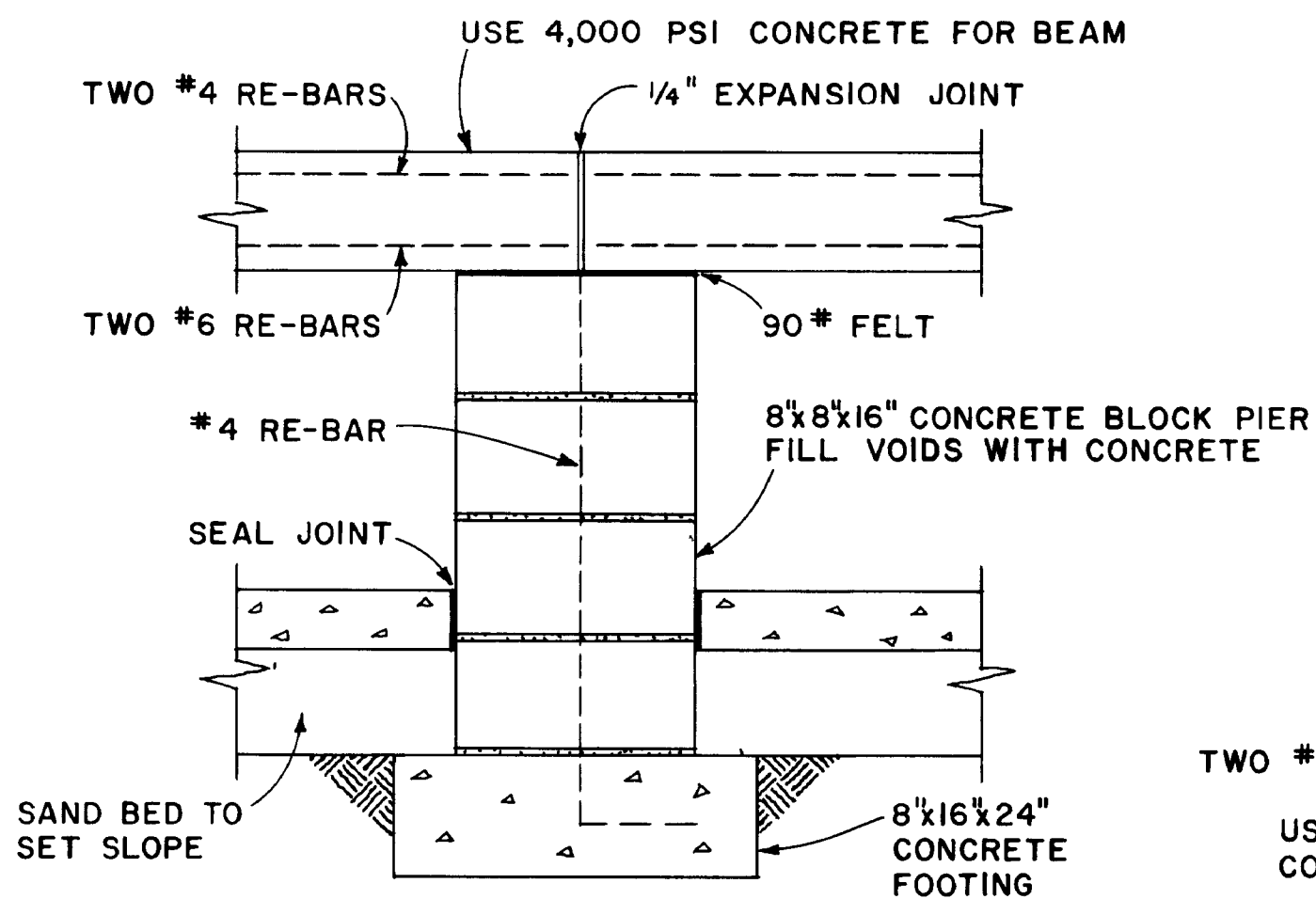
SECTION B-B
SCALE 3/8" = 1'-0"

COOPERATIVE EXTENSION WORK IN AGRICULTURE AND HOME ECONOMICS		
DEPARTMENT OF AGRICULTURAL ENGINEERING COLLEGE OF AGRICULTURE		
UNIVERSITY OF KENTUCKY AND UNITED STATES DEPARTMENT OF AGRICULTURE COOPERATING		
SWINE BUILDING		
FINISHING FLOOR—TOTAL SLATS		
N C	'73	6159
		SHEET 2 OF 3

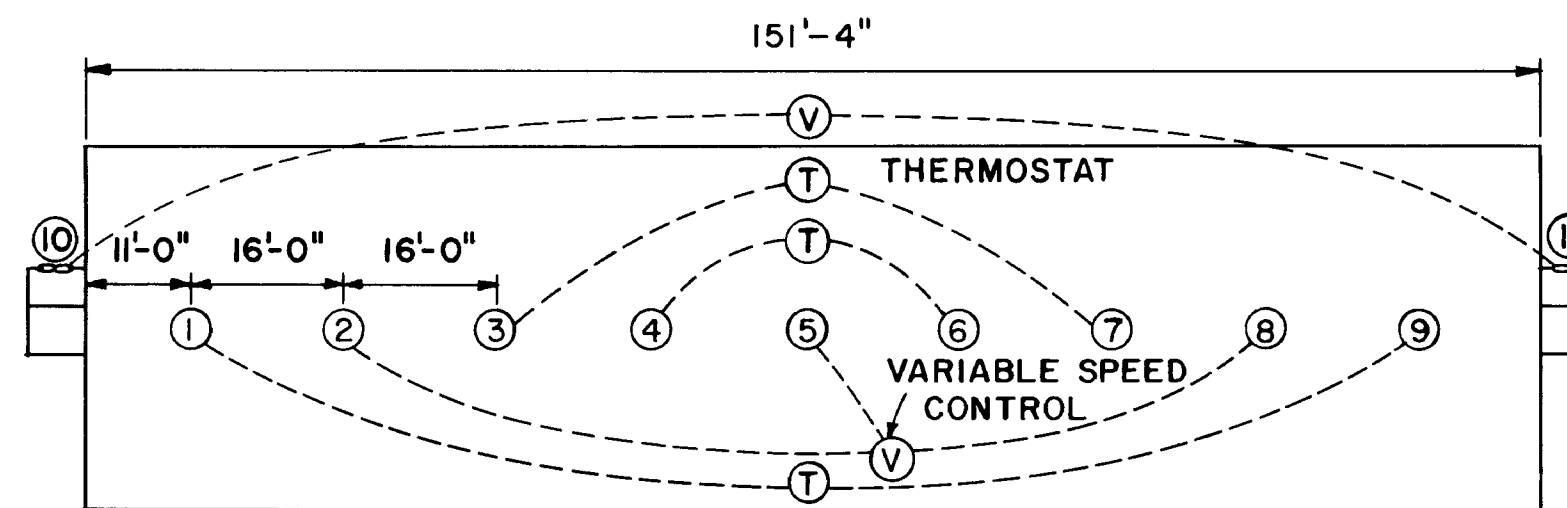
TRUSS NOTES
 DESIGN LIVE AND DEAD LOAD ON ROOF 25#/FT²
 TRUSSES SPACED 3'-9" OC
 LUMBER NO 1 SOUTHERN PINE OR DOUGLAS FIR
 C=1,200 PSI COMPRESSION PARALLEL TO GRAIN
 f=1,450 PSI EXTERIOR FIBER IN BENDING
 E=1,600,000 PSI MODULUS OF ELASTICITY
 USE HELICALLY THREADED HARDENED NAILS THRU-OUT



TRUSS DETAIL
 SCALE 3/4"=1'-0"



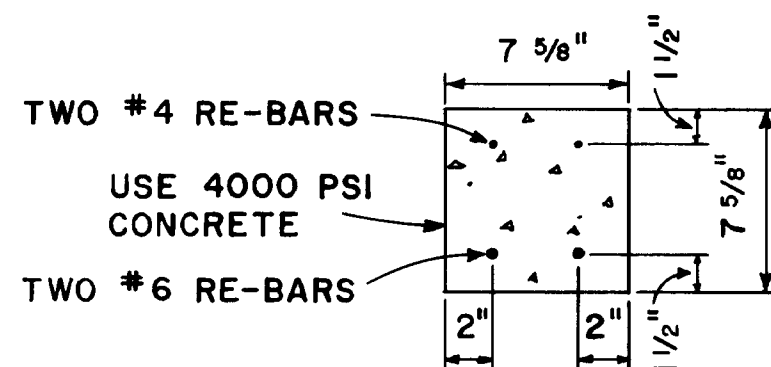
PIER DETAIL-3
 SCALE 1"=1'-0"



FANS 2,5,8-VARIABLE SPEED-4000 TO 5000 CFM AT 1/8" S P
 FANS 1,3,4,6,7,9-5000 CFM AT 1/8" S P
 FANS 10,11-VARIABLE SPEED-8500 CFM AT 1/8" S P

NOTE:
 BALANCE THE UNDER SLAT VENTILATION BY RESTRICTING OPENINGS CLOSEST TO THE FANS SET FOR 500 TO 600 FPM WITH FANS RUNNING AT FULL SPEED

FAN LAYOUT

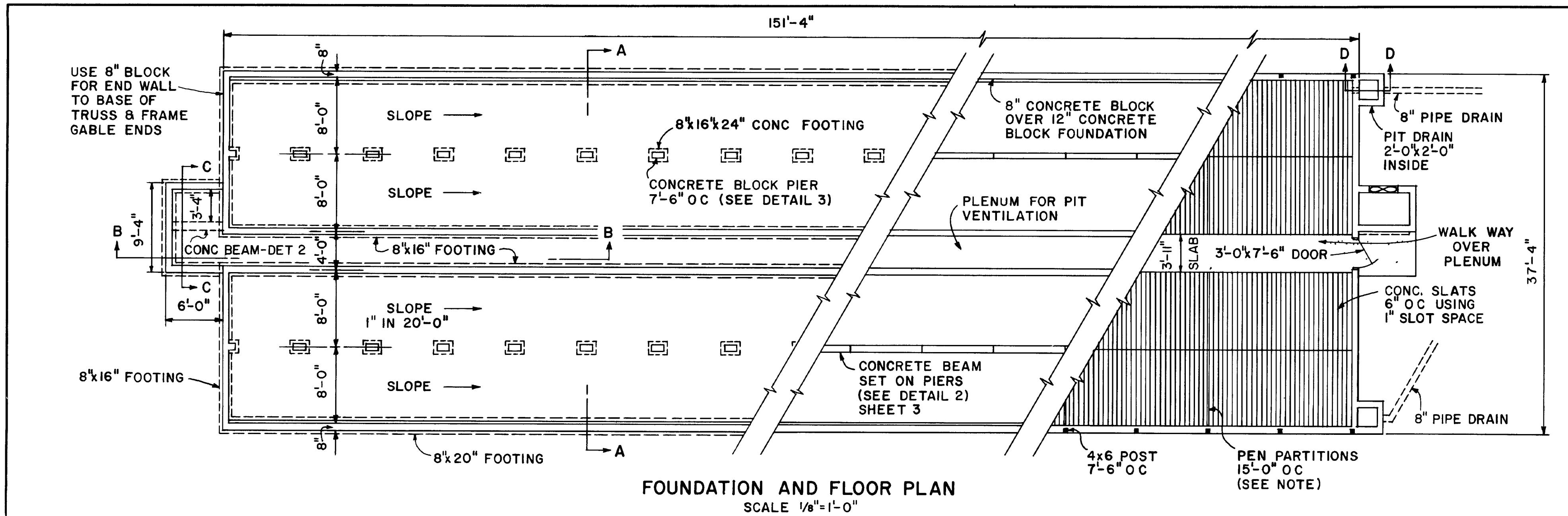


DETAIL-2
 CONCRETE BEAM SECTION
 SCALE 1 1/2"=1'-0"

COOPERATIVE EXTENSION WORK IN
 AGRICULTURE AND HOME ECONOMICS
 DEPARTMENT OF AGRICULTURAL ENGINEERING
 COLLEGE OF AGRICULTURE
 UNIVERSITY OF KENTUCKY
 AND
 UNITED STATES DEPARTMENT OF AGRICULTURE COOPERATING

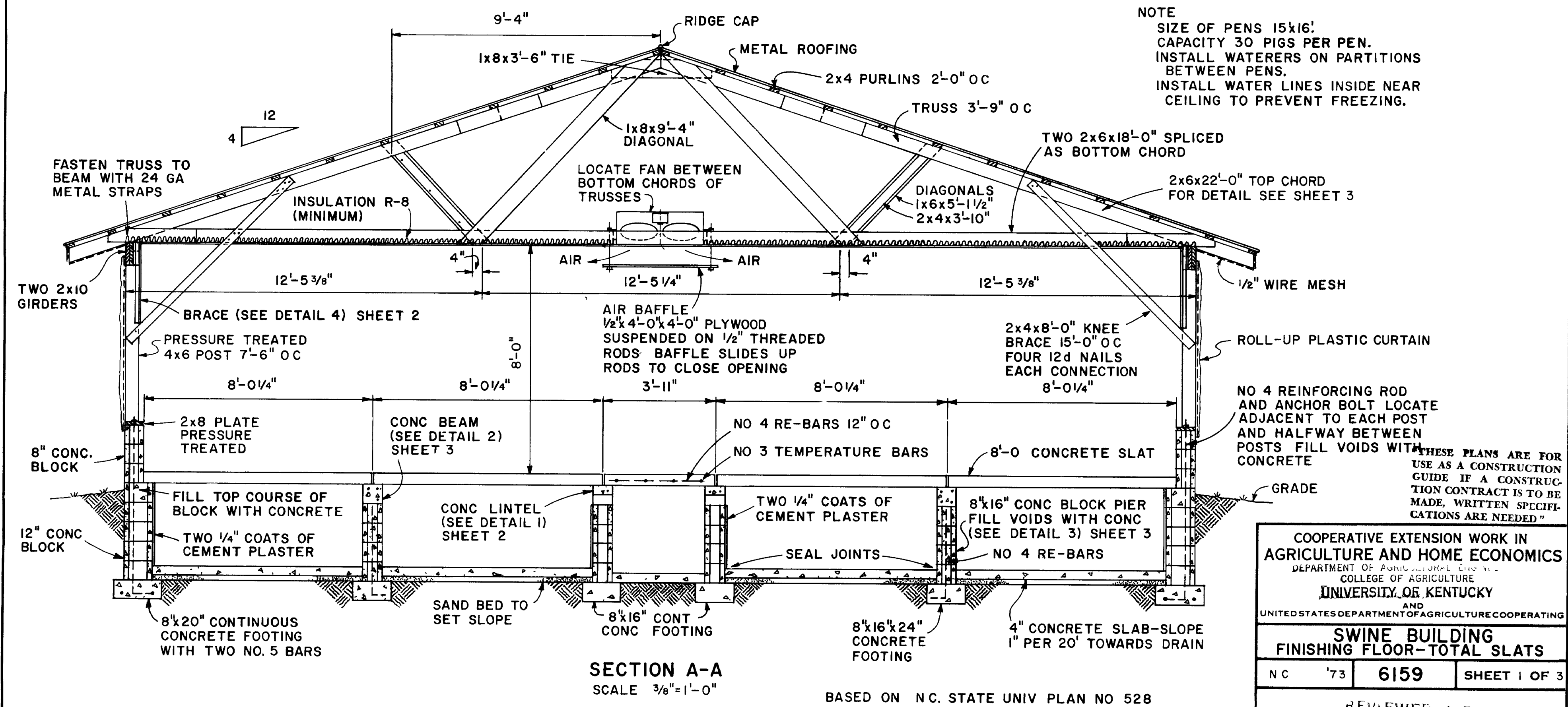
SWINE BUILDING
 FINISHING FLOOR-TOTAL SLATS

N C	'73	6159	SHEET 3 OF 3
-----	-----	-------------	--------------



FOUNDATION AND FLOOR PLAN

SCALE 1/8"=1'-0"



SECTION A-A

SCALE 3/8"=1'-0"

BASED ON N.C. STATE UNIV PLAN NO 528

NOTE
 SIZE OF PENS 15x16'
 CAPACITY 30 PIGS PER PEN.
 INSTALL WATERERS ON PARTITIONS
 BETWEEN PENS.
 INSTALL WATER LINES INSIDE NEAR
 CEILING TO PREVENT FREEZING.

THESE PLANS ARE FOR USE AS A CONSTRUCTION GUIDE IF A CONSTRUCTION CONTRACT IS TO BE MADE. WRITTEN SPECIFICATIONS ARE NEEDED.

COOPERATIVE EXTENSION WORK IN AGRICULTURE AND HOME ECONOMICS
 DEPARTMENT OF AGRICULTURE AND HOME ECONOMICS
 COLLEGE OF AGRICULTURE
 UNIVERSITY OF KENTUCKY
 AND
 UNITED STATES DEPARTMENT OF AGRICULTURE COOPERATING

SWINE BUILDING
FINISHING FLOOR-TOTAL SLATS

NC	'73	6159	SHEET 1 OF 3
----	-----	------	--------------

REVIEWED 1974