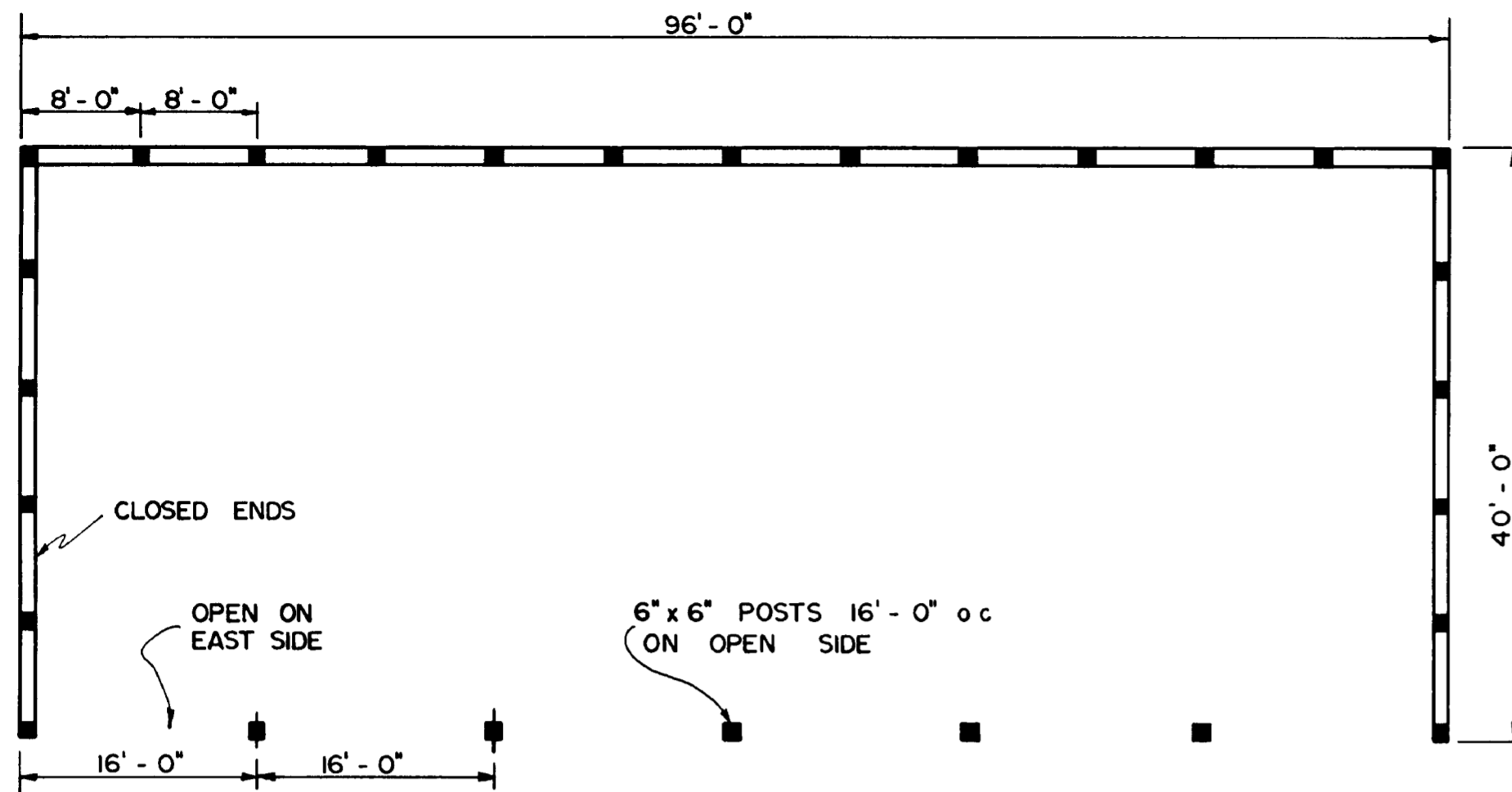


Important: Warranty Disclaimer for Plans

For the convenience of our clientele, this website makes available conceptual plans that can be helpful in planning buildings, facilities, or other structures. They were developed over many years by engineers at Land Grant universities through the former USDA Cooperative Farm Buildings Plan Exchange. *Regardless of the original intent, these are older plans that provide conceptual information only, and are not to be considered or used as construction plans.*

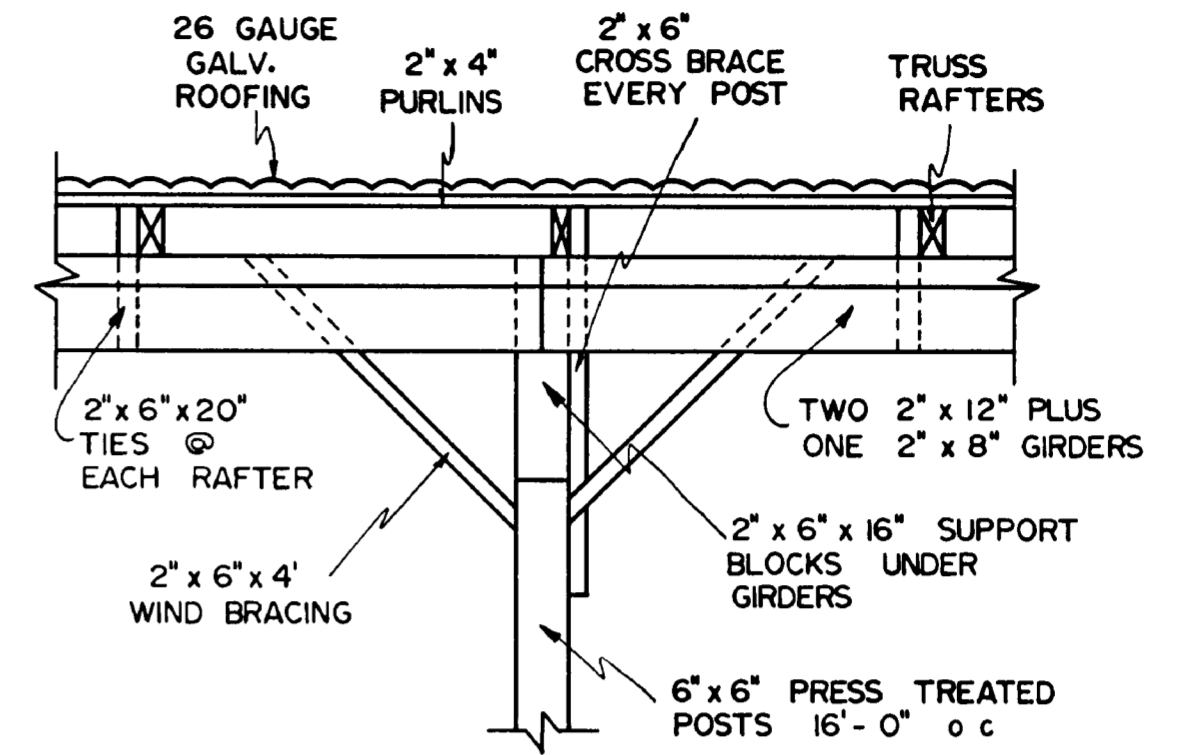
These plans do not claim to represent the most current technology or the most recent construction techniques, standards, or codes. For example, over the years there have been changes in the National Design Specifications for Wood Construction, changes in the strengths and types of building materials, and changes in fasteners, among other things. Those changes, along with variations in climate, building codes, and other factors, make it imperative that professional services be utilized for your specific project. Suggested services include, but are not limited to, structural design, assurance of compliance with codes and regulations, site selection, construction supervision, and provision for utilities, waste management, and access. *These plans do not replace the need for competent design assistance in developing safe, legal, and well-functioning agricultural buildings and systems.*

Neither the University of Kentucky, the Midwest Plan Service, the United States Department of Agriculture, nor any of the cooperating Land Grant universities, warranty these plans. They are for conceptual use only and are not for use as construction plans.



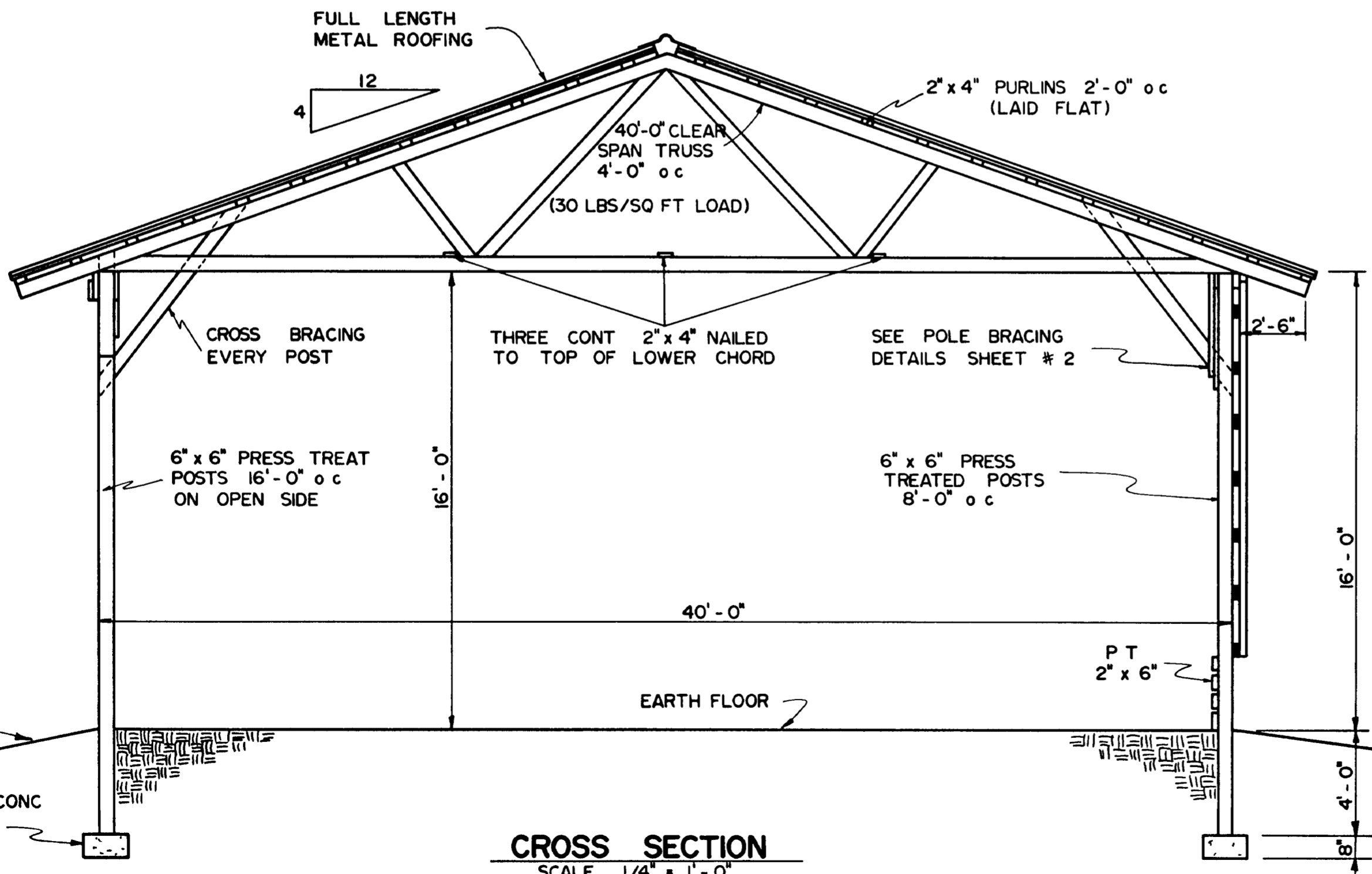
FLOOR PLAN

SCALE 3/32" = 1'-0"



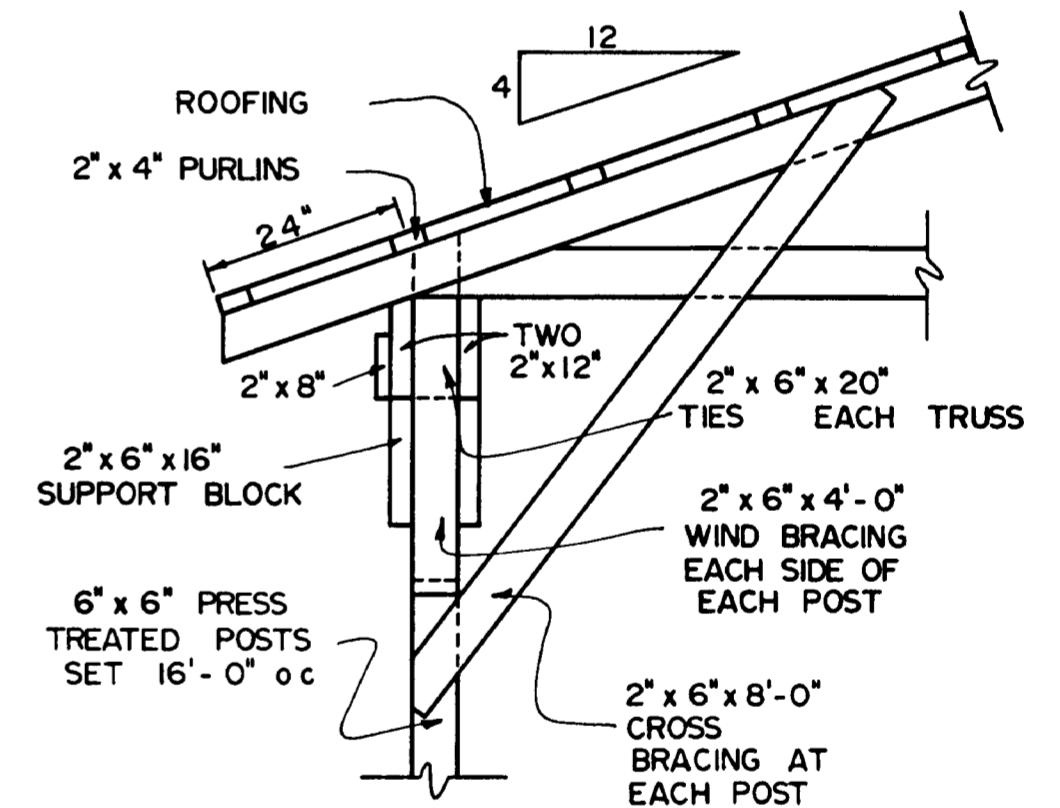
OPEN SIDE POST BRACING DETAILS

SCALE 1/2" = 1'-0"



CROSS SECTION

SCALE 1/4" = 1'-0"



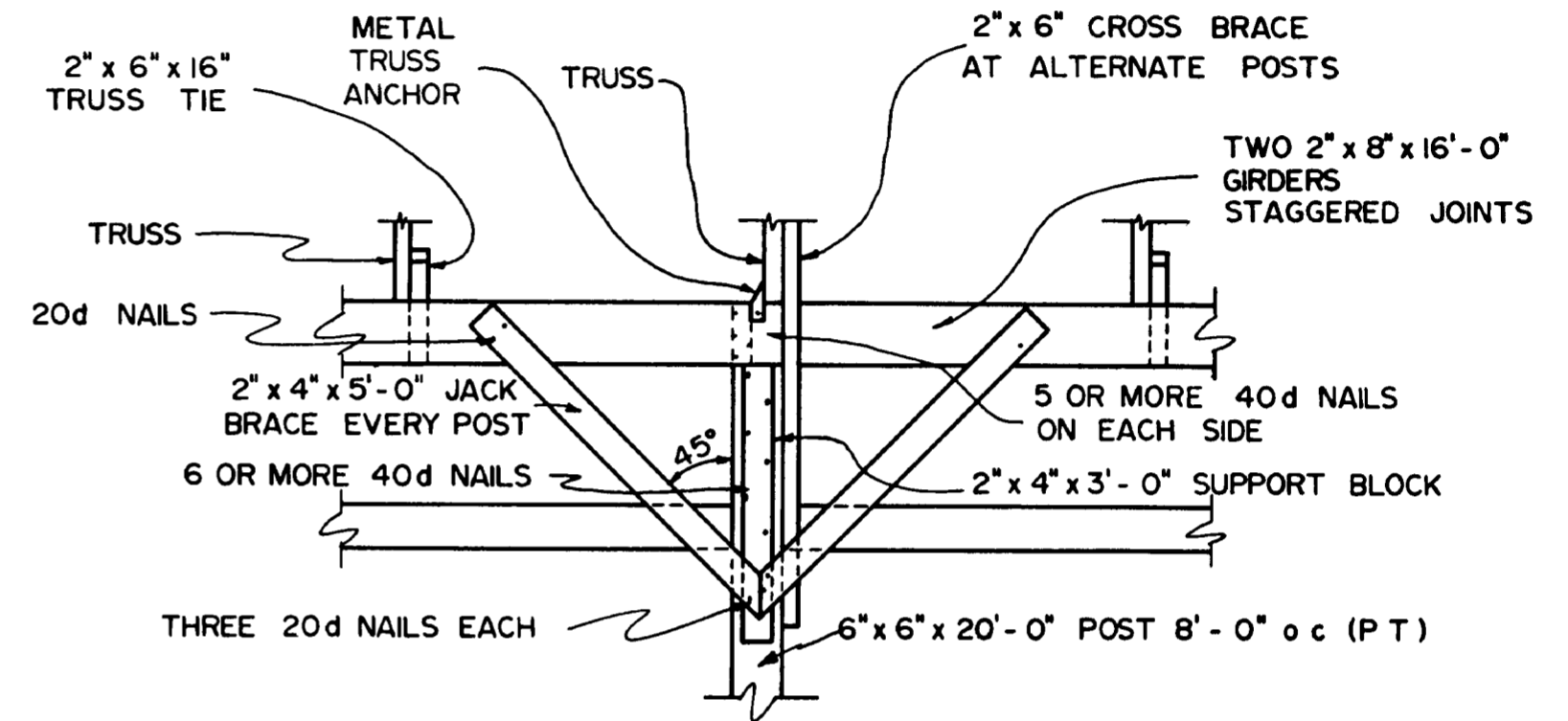
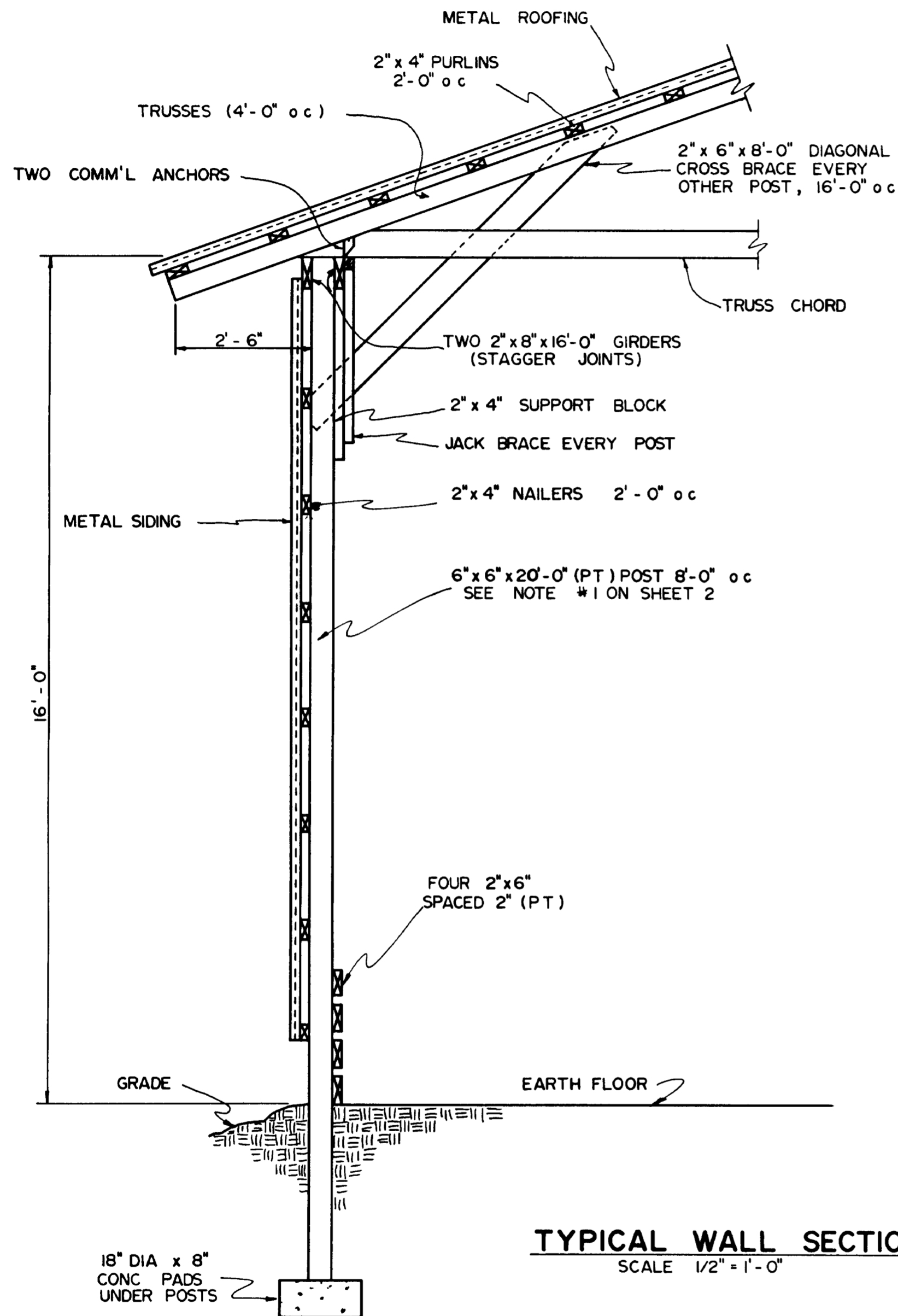
OPEN SIDE PLATE DETAIL

SCALE 1/2" = 1'-0"

COOPERATIVE EXTENSION WORK IN
 AGRICULTURE AND HOME ECONOMICS
 STATE OF TENNESSEE
 UNIVERSITY OF TENNESSEE
 AGRICULTURAL ENGINEERING DEPARTMENT
 AND
 UNITED STATES DEPARTMENT OF AGRICULTURE COOPERATING

40' x 96' BIG BALE HAY STORAGE (SIDE LOADING)

TENN	4-AUGUST-88	SHEET 1 OF 2
GFG / DKC	PLAN NO T 4114, KY11-731-4	



NOTES

- 1 PRESSURE TREATMENT AS FOLLOWS
CCA (6 LBS PER CU FT)
- 2 ROOF LOAD (DEAD & LIVE) EQUALS 20 LBS PER SQ FT
CEILING LOAD-NONE REQUIRED
- 3 USE TRUSSES BY REPUTABLE MANUFACTURER
DESIGNED FOR 30 LBS PER SQ FT (DEAD & LIVE LOAD)
- 4 BALES WILL SETTLE (ALLOW 4"-5" ON ALL SIDES OF
EACH BALE WHEN PLANNING STORAGE)

COOPERATIVE EXTENSION WORK IN AGRICULTURE AND HOME ECONOMICS STATE OF TENNESSEE UNIVERSITY OF TENNESSEE AGRICULTURAL ENGINEERING DEPARTMENT AND UNITED STATES DEPARTMENT OF AGRICULTURE COOPERATING		
40' x 96' BIG BALE HAY STORAGE (SIDE LOADING)		
TENN	5-AUGUST-1988	SHEET 2 OF 2
GFG / DKC	PLAN NO T 4114, KY 11-731-4	