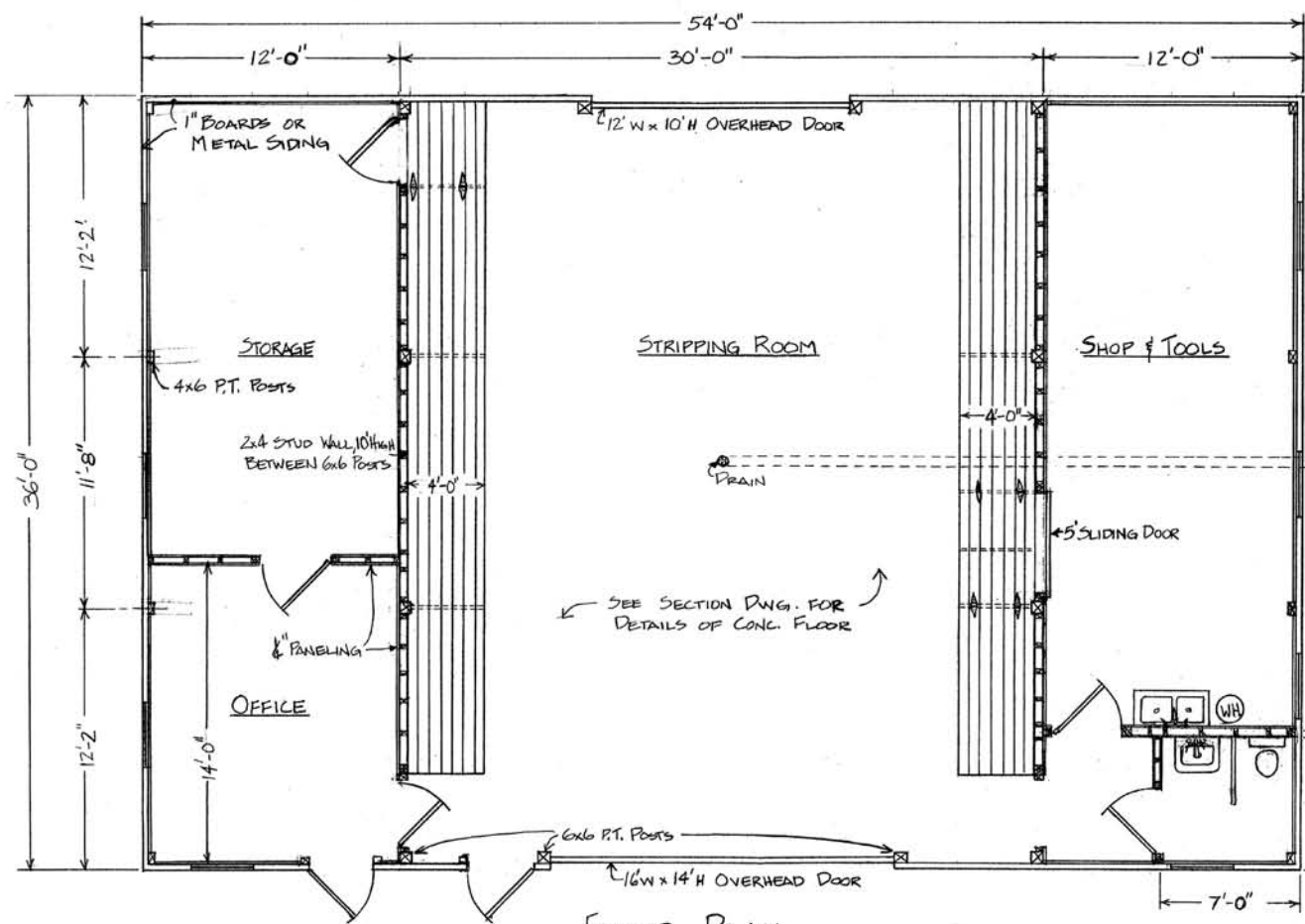
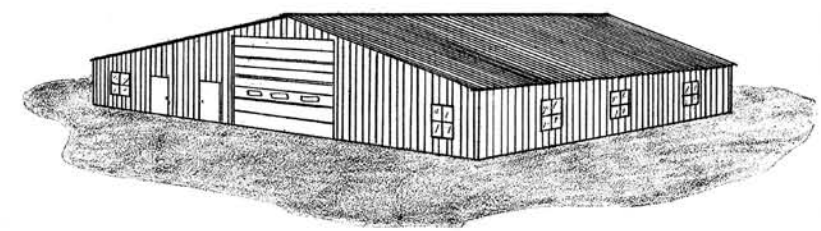


END ELEVATION
SCALE: 3/16" = 1'-0"

SIDE ELEVATION
SCALE: 3/16" = 1'-0"



FLOOR PLAN
SCALE: 3/16" = 1'-0"

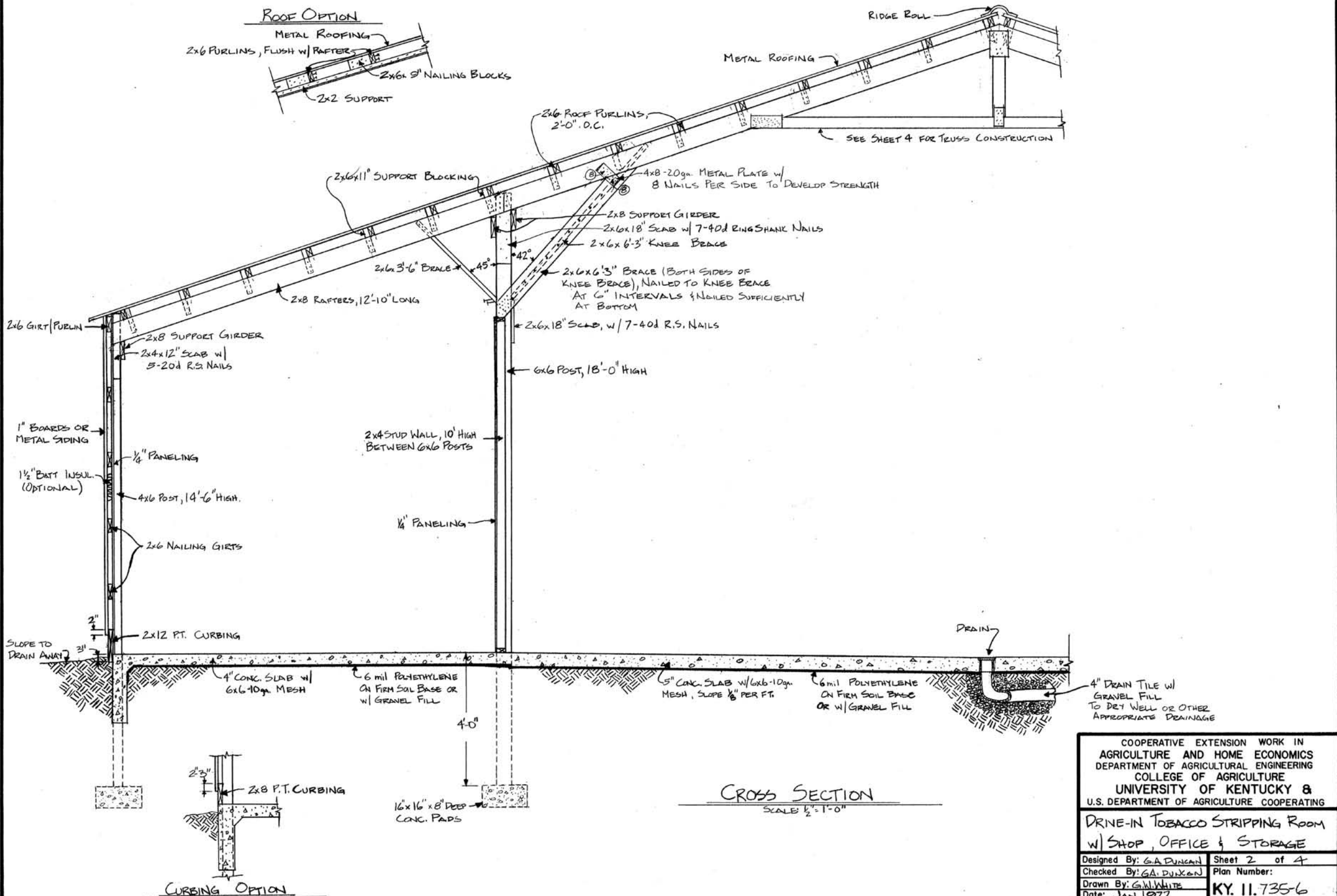


PERSPECTIVE
NO SCALE

TO DRY WELL OR OTHER APPROPRIATE DRAINAGE

TO HEALTH DEPT. APPROVED SEPTIC TANK SYSTEM OR DRAIN FIELD

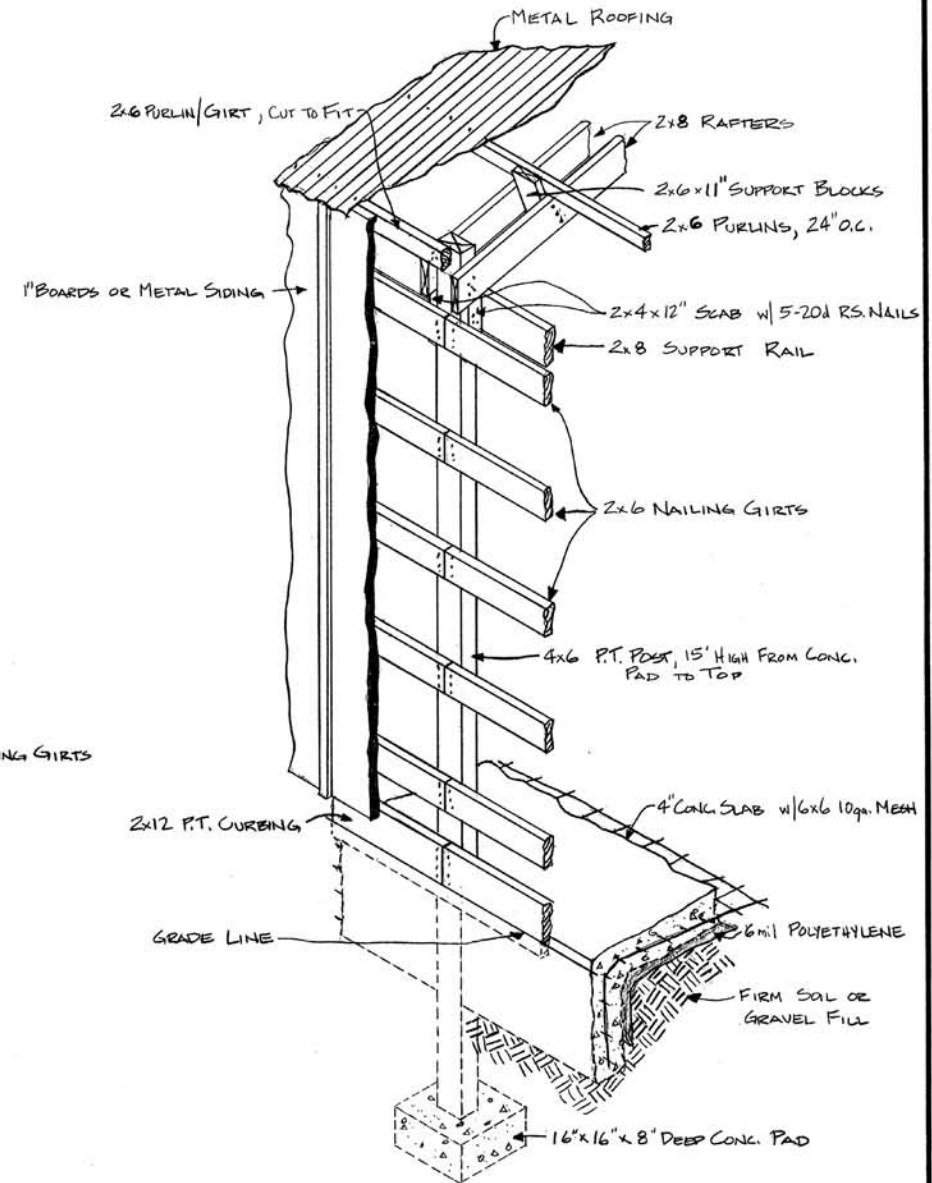
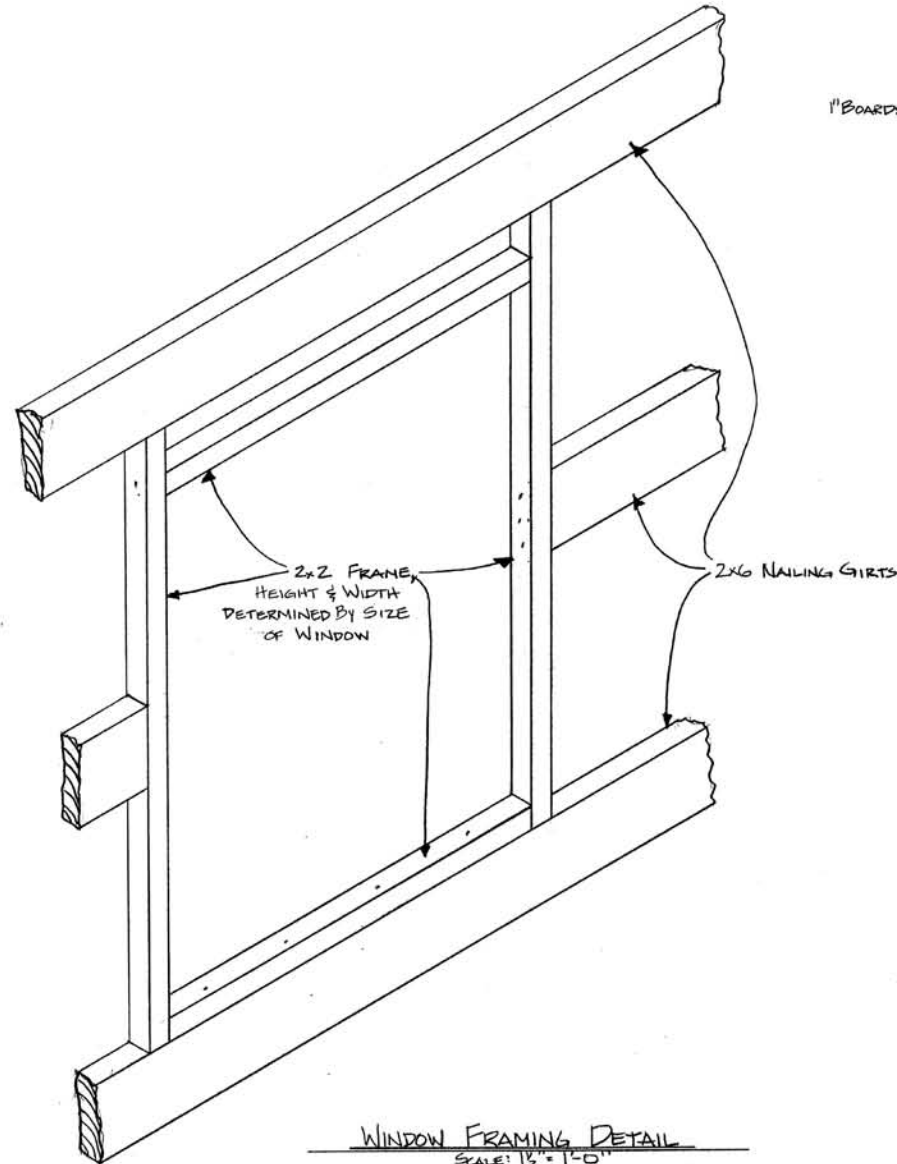
COOPERATIVE EXTENSION WORK IN AGRICULTURE AND HOME ECONOMICS DEPARTMENT OF AGRICULTURAL ENGINEERING COLLEGE OF AGRICULTURE UNIVERSITY OF KENTUCKY & U.S. DEPARTMENT OF AGRICULTURE COOPERATING	
DRIVE-IN TOBACCO STRIPPING ROOM W/SHOP, OFFICE & STORAGE	
Designed By: G.A. DUNCAN	Sheet 1 of 4
Checked By: G.A. DUNCAN	Plan Number:
Drawn By: G.W. WHITE	KY. 11. 735-6
Date: DEC., 1976	



COOPERATIVE EXTENSION WORK IN
AGRICULTURE AND HOME ECONOMICS
DEPARTMENT OF AGRICULTURAL ENGINEERING
COLLEGE OF AGRICULTURE
UNIVERSITY OF KENTUCKY &
U.S. DEPARTMENT OF AGRICULTURE COOPERATING

DRIVE-IN TOBACCO STRIPPING ROOM
w/ SHOP, OFFICE & STORAGE

Designed By: G.A. DUNCAN	Sheet 2 of 4
Checked By: G.A. DUNCAN	Plan Number:
Drawn By: G.W. WHITE	KY. 11.735-6
Date: JAN. 1977	



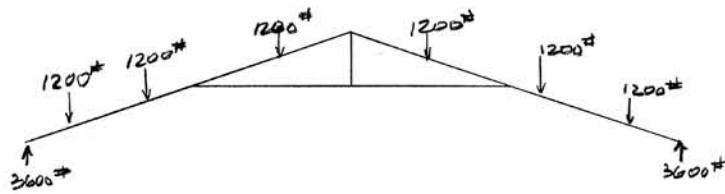
DETAIL OF CONSTRUCTION AT EXTERIOR POST
SCALE: 1/2" = 1'-0"

COOPERATIVE EXTENSION WORK IN
AGRICULTURE AND HOME ECONOMICS
DEPARTMENT OF AGRICULTURAL ENGINEERING
COLLEGE OF AGRICULTURE
UNIVERSITY OF KENTUCKY &
U.S. DEPARTMENT OF AGRICULTURE COOPERATING

DRIVE-IN TOBACCO STRIPPING ROOM
w/ SHOP, OFFICE & STORAGE

Designed By: G.A. DUNCAN Sheet 3 of 4
Checked By: G.A. DUNCAN Plan Number:
Drawn By: G.W. WHITE
Date: JAN. 1977

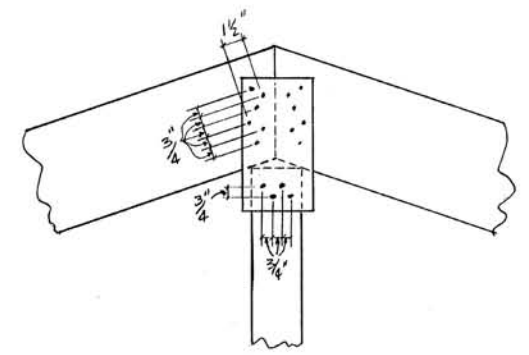
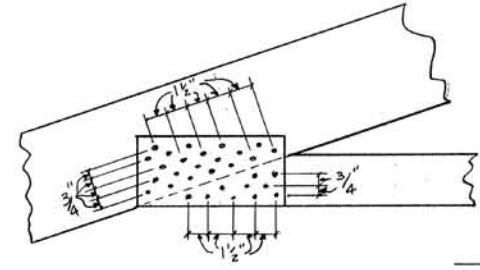
KY. 11.735-6



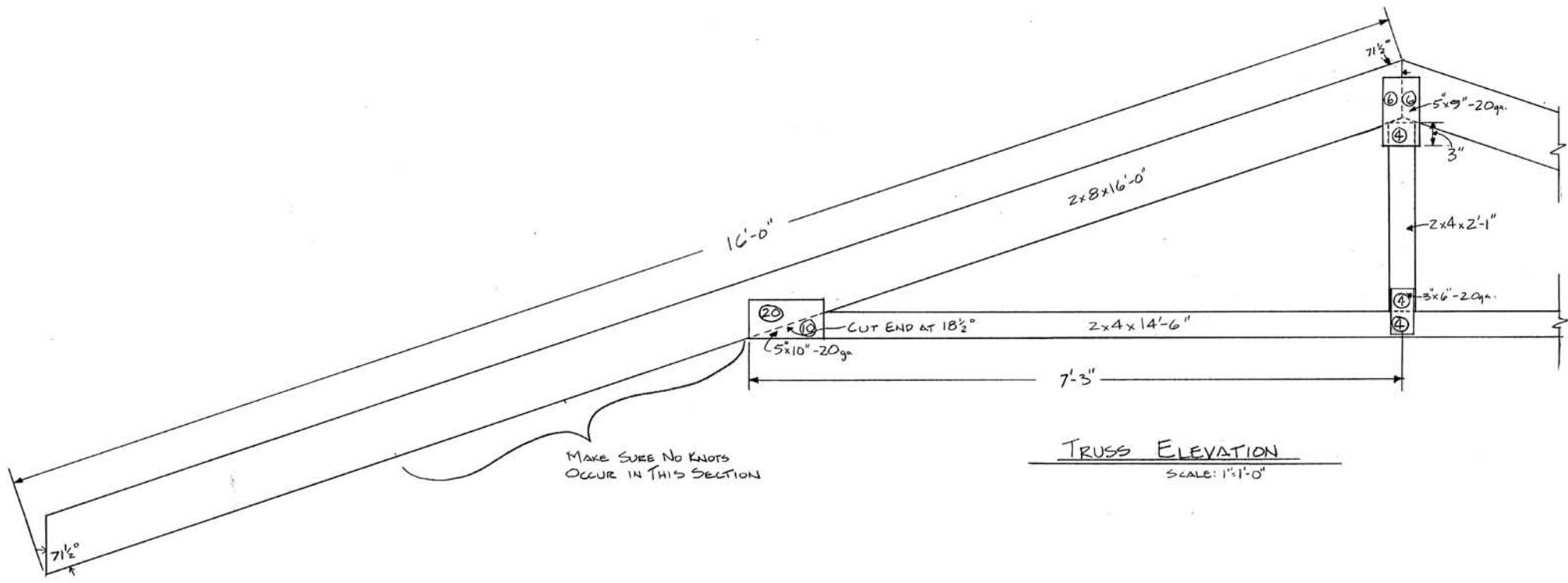
LOADING DIAGRAM

SCALE: 3/16" = 1'-0"

DESIGN LOADS: @ 11' SPACING
 ① ROOF, SNOW, WIND, ETC. = 25 psf



EXAMPLE NAILING PATTERN

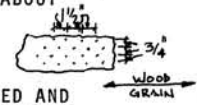


TRUSS ELEVATION

SCALE: 1" = 1'-0"

SPECIFICATIONS FOR NAIL-ON METAL-GUSSET-PLATE TRUSS CONSTRUCTION:

- LUMBER SHALL BE DRESSED, KILN DRY, STANDARD OR CONSTRUCTION GRADE DOUG. FIR, NO. 1 OR 2 SOUTHERN YELLOW PINE, OR EQUIVALENT.
- GUSSET PLATES SHALL BE GALVANIZED STEEL, 18 OR 20 GAUGE AS SPECIFIED, ONE ON BOTH SIDES OF EACH JOINT. PLATES MAY BE PRE-PUNCHED OR BLANK (DRIVE NAILS RIGHT THROUGH BLANK PLATE). NAILS SHALL BE 1-1/2", 11 GAUGE, SCREW-SHANK, HARDENED, PALLET-TYPE NAIL.
- NUMBER OF NAILS DRIVEN THROUGH GUSSET PLATE INTO EACH SIDE OF EACH MEMBER IS SHOWN BY NUMERALS IN CIRCLE AT EACH JOINT. DRIVE ALL NAILS SNUG AGAINST THE METAL PLATE.
- ALIGN GUSSET PLATE OVER JOINT AS SHOWN ON TRUSS DIAGRAM. BEGIN NAILING IN CENTER OF GUSSET PLATE AND PROGRESS OUTWARDS TO ELIMINATE WRINKLES.
- SPACE NAILS EVENLY OVER GUSSET PLATE ABOUT 1-1/2" APART ALONG GRAIN OF WOOD AND 3/4" APART ACROSS GRAIN IN STAGGERED PATTERN AS SHOWN AT THE RIGHT FOR MAXIMUM STRENGTH AND NO SPLITTING.
- USE A JIG TO KEEP TRUSS MEMBERS ALIGNED AND PROVIDE FIRM SUPPORT UNDERNEATH FOR NAILING. BUTT ALL JOINTS TOGETHER TIGHTLY. A FEW NAILS IN EACH JOINT SHOULD COME WITHIN 3/8 TO 1/2 INCH OF JOINT BUTT-ENDS AND EDGES TO HOLD METAL PLATE FLAT.
- DO NOT FABRICATE ANY JOINT HAVING A KNOT OR OTHER WOOD IMPERFECTION UNDER OR ADJACENT TO GUSSET PLATE.
- HANDLE TRUSS WITH CARE WHEN ROTATING TO ATTACH OPPOSITE-SIDE GUSSET PLATES.



BILL OF MATERIALS

ITEM	NO.	SIZE	QUANTITY
Top Chord	2	2x8x16'	21.33 Bd. Ft.
Tie	1	2x4x14'-16"	9.67 Bd. Ft.
Kingpost	1	2x4x2'-1"	1.4 Bd. Ft.
			53.75 Bd. Ft.
Metal Plates	4	5"x10" - 20 GA.	20"x22" - 20 GA.
	2	5"x9" - 20 GA.	
	2	3"x6" - 20 GA.	
Nails	168	1 1/2", 11 GA., Screw Shank 1 1/8 LB.	

COOPERATIVE EXTENSION WORK IN AGRICULTURE AND HOME ECONOMICS
 DEPARTMENT OF AGRICULTURAL ENGINEERING
 COLLEGE OF AGRICULTURE
 UNIVERSITY OF KENTUCKY &
 U.S. DEPARTMENT OF AGRICULTURE COOPERATING

30' TRUSS FOR DRIVE-IN TOBACCO STRIPPING ROOM

Designed By: G.A. DUNCAN Sheet 4 of 4
 Checked By: G.A. DUNCAN Plan Number:
 Drawn By: G.W. WHITE
 Date: MAY 1977 KY. 11.735-6