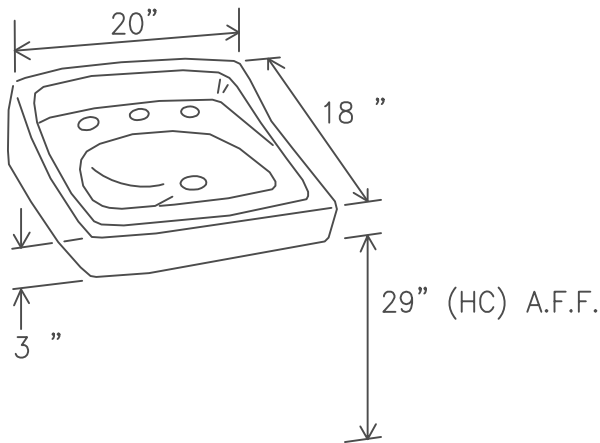
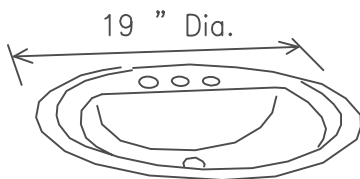


1. Fixtures are to be white vitreous china with front overflow.
2. Faucets on 4 inch centers, brass with a chrome finish and vandal proof handles. Provide 4 inch wrist handles for handicapped units or single lever (no ball) faucet.
3. Generally provide perforated grid drain. provide a pop – up drain in locker rooms, living quarters etc.
4. Listed dimensions are approximate.
5. Mount non – handicapped lavatories at 32 inches A.F.F. to the rim.
6. Chalk with silicon to seal joint and to have neat appearance.



Wall Hung

- Internal back splash
- Concealed arms



Countertop

- Self rimming



UNIVERSITY OF KENTUCKY DESIGN & CONSTRUCTION STANDARDS

DRAWN BY <u>GSB</u>	REVISION	DATE	TITLE : LAVATORIES	DRAWING NO.
APP. BY <u>MA</u>	<u>RLM</u>	<u>11/26/90</u>		
DATE <u>11/1/89</u>				<u>15440D01</u>