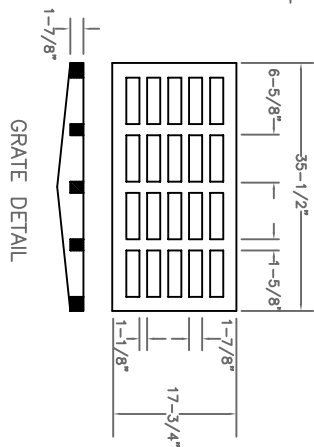
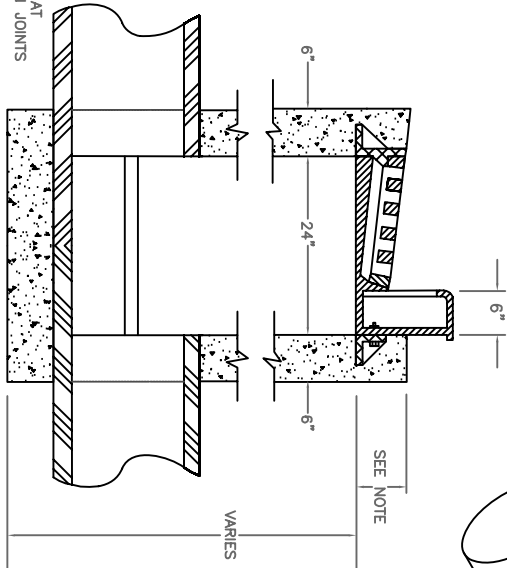
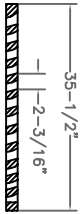
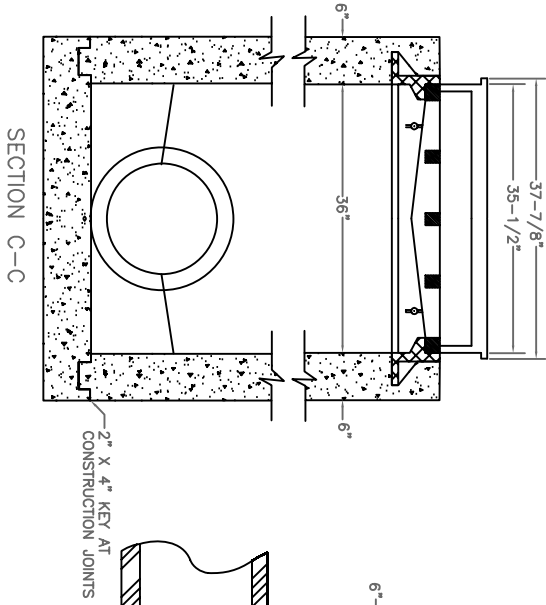
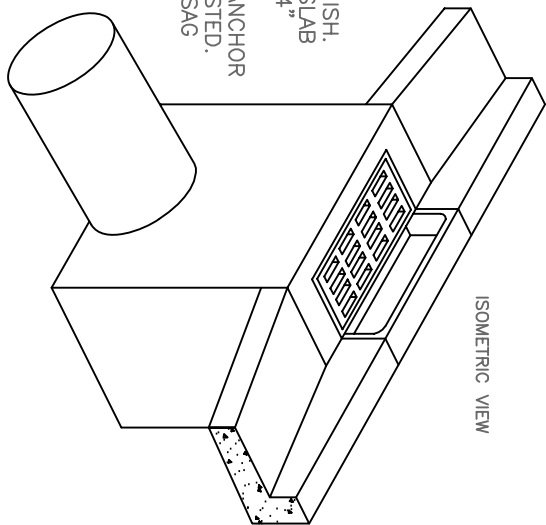


- NOTES:
1. CURB BOX ADJUSTABLE 6" TO 9" TO MATCH TOP OF CURB.
 2. NO. 5 STEEL SHALL BE USED THROUGHOUT ON 12" CENTERS
 3. ALL EXPOSED FLATWORK SHALL HAVE A HAND FLOATED AND BROOMED FINISH.
 4. NO STEEL IS REQUIRED IN BOTTOM SLAB
 5. ALL VERTICAL STEEL SHALL EXTEND 4" INTO BOTTOM SLAB.
 6. SET BACK FRAME IN CONCRETE TO ANCHOR IN PLACE AFTER IT HAS BEEN ADJUSTED.
 7. VANE GRATES REQUIRED UNLESS IN SAG CONDITION.



VANE GRATE DETAIL



N:\COLLINS\CONCRETE_CONTRACT_DWGS\DR_BASIN.DWG

SHEET
7 OF 27

UK
PHYSICAL
PLANT
DIVISION

CONCRETE SPECS
CATCH BASIN DETAIL

BLDG #
0000

DATE: 12/18/98
DWN BY: SOT
REV. DATE: 3.29.00
REV. BY: CSD